

FEATURES

Spout

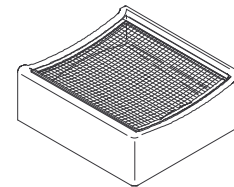
- Brass body construction
- Easy to access cartridge for cleaning or replacement
- Available in two orifice sizes to optimize performance
- Wall or ceiling mount
- 1/2" copper tube sweat connection
- Pressure compensating flow control

Drip Tray

- Brass and stainless steel construction
- Removable screen for cleaning or replacement

K-922

ALSO K-923, K-924



CODES/STANDARDS APPLICABLE

Specified model meets or exceeds the following:

- ASME/ANSI A112.18.1M
- CSA B125
- IAPMO/UPC

COLORS/FINISHES

- CP Polished Chrome
- PB Polished Brass
- Other Refer to Faucets Price Book for additional colors

SPECIFIED MODEL:

Model	Description	Colors/Finishes		
K-922	* Laminar Flow Bath Spout (.8" (2cm) D. orifice)	<input type="checkbox"/> CP	<input type="checkbox"/> PB	<input type="checkbox"/> Other_____
K-923	* Laminar Flow Bath Spout (.95" (2.4cm) D. orifice)	<input type="checkbox"/> CP	<input type="checkbox"/> PB	<input type="checkbox"/> Other_____
K-924	Drip Tray Accessory	<input type="checkbox"/> CP	<input type="checkbox"/> PB	<input type="checkbox"/> Other_____

* Valve must be ordered to complete faucet.

PRODUCT SPECIFICATION:

The Laminar Flow Bath Spout shall have a brass body and trim. The cartridge shall be a one-piece design incorporating a pressure compensating flow control that can be easily accessed from outside the wall for cleaning or replacement. The spout shall be offered in two orifice sizes to optimize performance. The product shall be installed with an optional Drip Tray K-924 when mounted on the wall. The Drip Tray shall have a brass body with stainless steel screen and mounting hardware. The screen shall snap into place, and can easily be removed for cleaning or replacement. Faucet shall be Kohler Model K-922

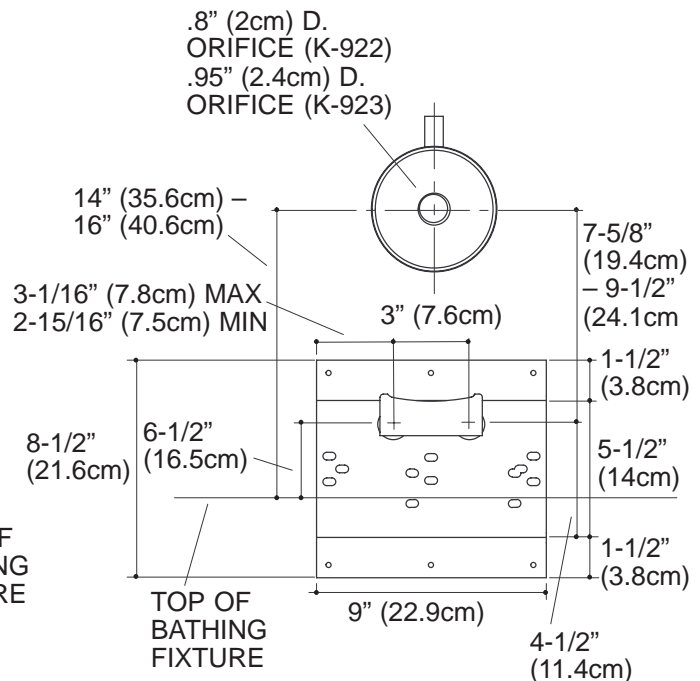
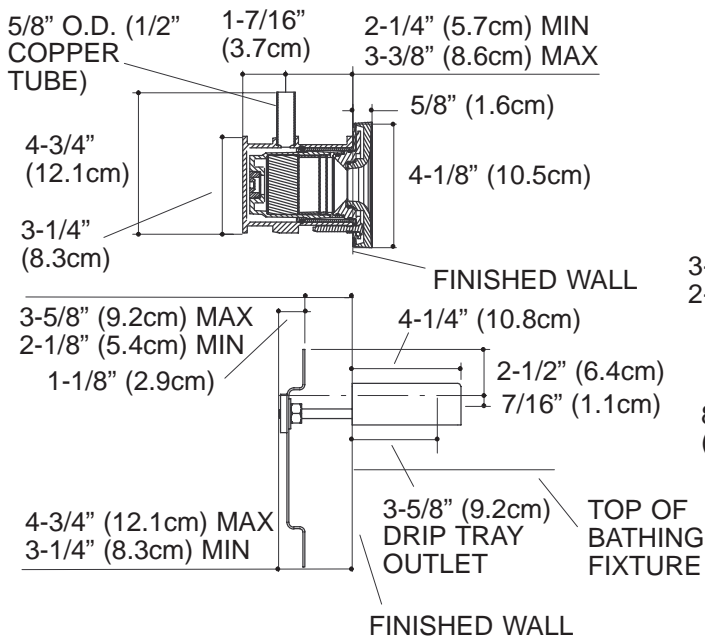
LAMINAR FLOW

PRODUCT INFORMATION

Applicable Flow Range:			
Spout:	Orifice	Flow Range	Recommended Kohler Supply Valve
K-922	.8" (2cm) D.	5-10 gpm (19-38 lpm)	K-400-K, K-401-K, K-306-KS
K-923	.95" (2.4cm) D.	7-15 gpm (26-57 lpm)	K-300-K, K-301-K
K-924	Drip Tray		optional

INSTALLATION NOTES

For ceiling spout installation, 9' (274.3cm) Max. height.



PRODUCT DIAGRAM