

**BATH FAUCET TRIM
K-T10292**

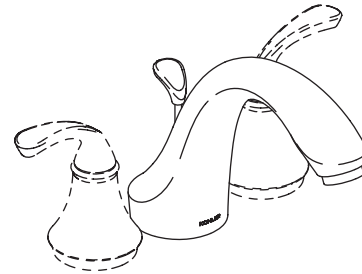
Features

- Brass construction
- Bath- or deck-mount
- Lever handles
- 7" (17.8 cm) spout with slip-fit connection and diverter knob

Codes/Standards Applicable

Specified model meets or exceeds the following:



- ASME A112.18.1
- IAPMO/UPC
- CSA B125
- ADA

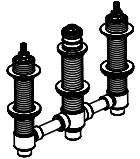


Colors/Finishes

- CP: Polished Chrome
- PB: Polished Brass
- Other: Refer to Price Book for additional colors/finishes

Specified Model

Model	Description	 ADA			 ADA		
K-T10292-4	Faucet with sculpted lever handles	<input type="checkbox"/> CP	<input type="checkbox"/> PB	<input type="checkbox"/> Other			
K-T10292-4A	Faucet with traditional lever handles				<input type="checkbox"/> CP	<input type="checkbox"/> PB	<input type="checkbox"/> Other

Required Accessory		
K-438-K	1/2" High-flow ceramic disc valve system with integral diverter	<input type="checkbox"/> NA

Optional Accessories		Colors/Finishes	
K-10286	Handshower	<input type="checkbox"/> CP	<input type="checkbox"/> Other
K-368	Deck handshower holder	<input type="checkbox"/> CP	<input type="checkbox"/> Other

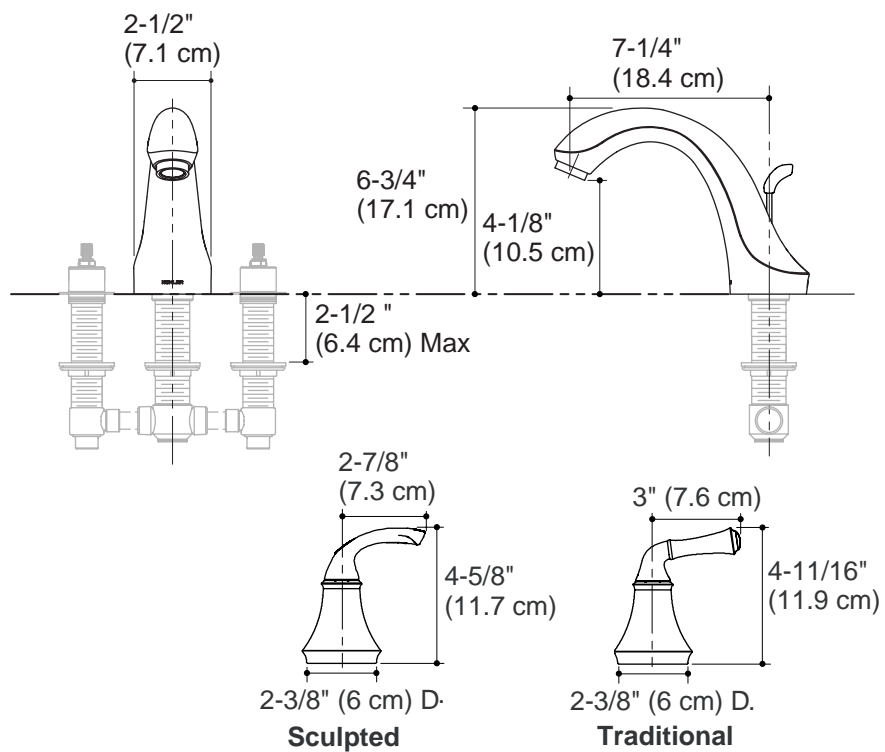
Product Specification

Two-handle bath- or deck-mount bath faucet trim shall be of brass construction. Product shall install to bath or finished deck. Product shall include a 7" (17.8 cm) spout with slip-fit connection and diverter knob. Product shall include lever handles. Faucet trim shall be Kohler Model K-T10292-_____-_____- and valve system shall be Kohler Model K-438-K-NA.

FORTÉ®

Installation Notes

Install this product according to the installation guide.



Product Diagram