

Features

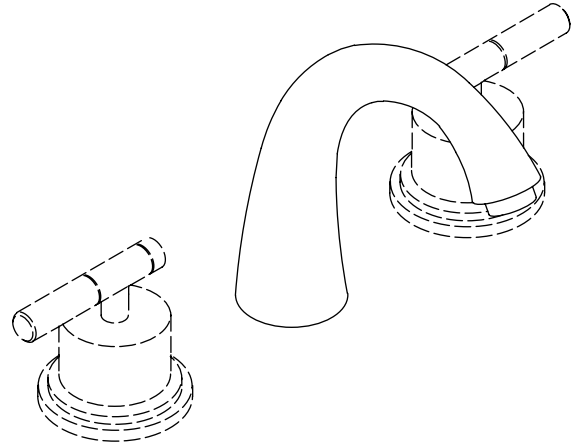
- Brass construction
- Bath- or deck-mount
- 7-1/2" (19.1 cm) high-arch non-diverter spout with slip-fit connection
- Variety of handle style options

Codes/Standards Applicable

Specified model meets or exceeds the following:

- ASME A112.18.1/CSA B125.1
- ADA

ADA





Colors/Finishes

- CP: Polished Chrome
- PB: Polished Brass
- Other: Refer to Price Book for additional colors/finishes

Accessories

- CP: Polished Chrome
- Other: Refer to Price Book for additional colors/finishes
- NA: None applicable

Specified Model

Model	Description	 ADA			 ADA	
K-T8235-4	Taboret® lever handles with high-arch spout	<input type="checkbox"/> CP	<input type="checkbox"/> PB	<input type="checkbox"/> Other_____		
K-T8235-4A	Taboret® swirl lever handles with high-arch spout				<input type="checkbox"/> CP	<input type="checkbox"/> PB
Required Accessories						
K-300-K	1/2" high-flow ceramic disc valve system					<input type="checkbox"/> NA

Product Specification

Two-handle deck-mount high-flow bath faucet trim shall be of brass construction. Product shall include 7-1/2" (19 cm) high-arch non-diverter spout with slip-fit connection, and handles. Faucet trim shall be Kohler Model K-T8235-_____-____ and valve system shall be Kohler Model K-300-K-NA.

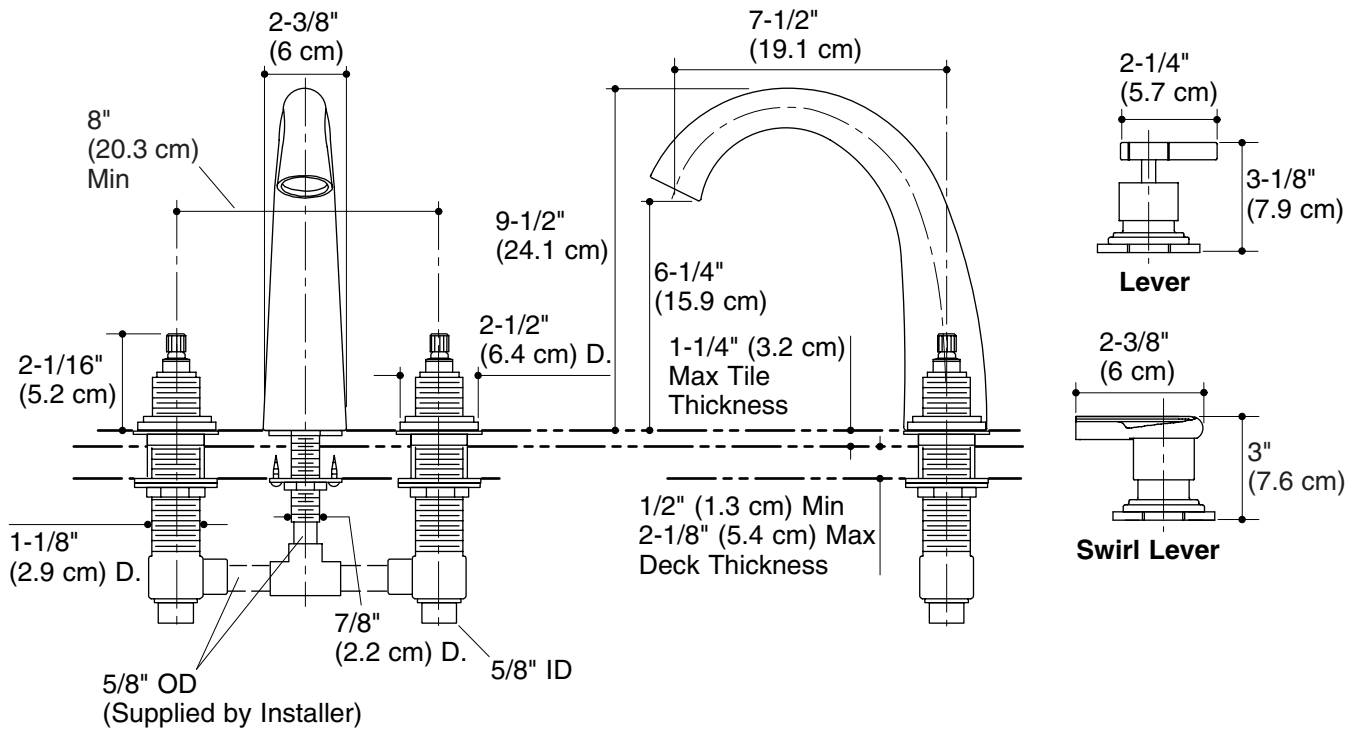
TABORET®

Optional Accessories			
58598	Deep roughing-in for high-flow deck-mount bath faucets (all handles)	<input type="checkbox"/> CP	<input type="checkbox"/> Other _____

Installation Notes

Install this product according to the installation guide.

Dimensions allow +/- 1/4" (0.6 cm) handle adjustment during handle trim installation.



Product Diagram