

INSTALLATION

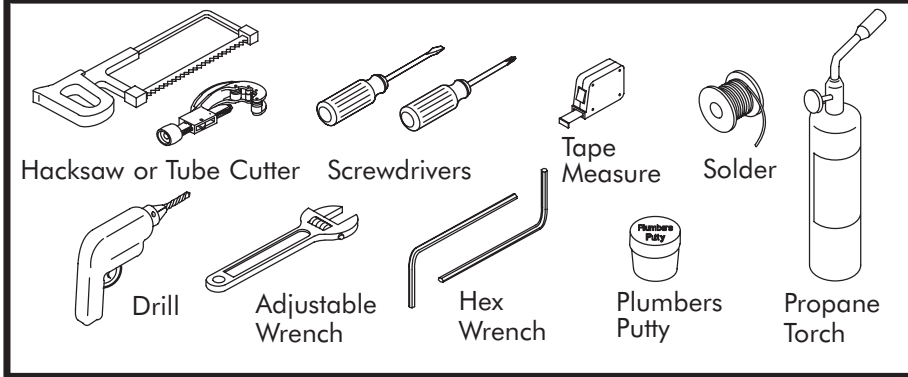
G U I D E

TABORET™
HIGH-FLOW
DECK-MOUNT
BATH FAUCET

K-8230, K-8230M,
K-8232, K-8232M,
K-8235, K-8235M,
K-8238, K-8238M

THE BOLD LOOK
OF **KOHLER**®

RECOMMENDED TOOLS AND MATERIALS



BEFORE YOU BEGIN

- Shut off the main water supply.
- To install this faucet, holes in the deck must not exceed 1-1/2" (3.8cm) for the valves and 1-1/8" (2.9cm) for the spout.
- Install water hammer arrestors in the supply lines.
- Thin rim/deck installations require additional support under the rim or deck. Use 1/2" exterior grade plywood.
- Finished deck material must fit closely to the diameters of the plaster guards. Plaster guard diameters are 1-5/8" (4.1cm) for the valves and 7/8" (2.2cm) for the spout.
- Provide access to the valves from the underside of the rim or deck.
- Observe local plumbing codes.
- Kohler Co. reserves the right to make revisions in the design of faucets without notice, as specified in the Price Book.

1. SPOUT SUPPLY TUBE INSTALLATION

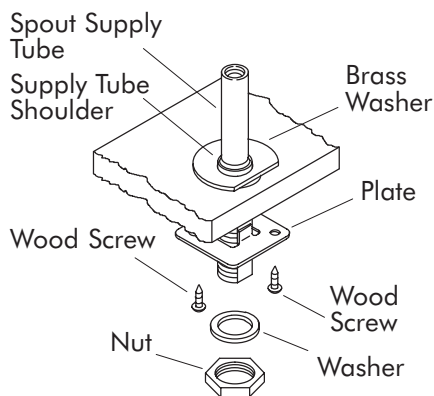
Slide the brass washer from the bottom of the spout supply tube over the threads until the washer reaches the supply tube shoulder.

Insert the spout supply tube through the mounting hole from the top of the deck/rim. Ensure that the flat portion of the washer faces forward. The spout supply tube will be suspended by the washer.

Slide the plate (oriented with the tabs toward the deck) and washer onto the spout supply tube from the bottom, and thread on the mounting nut. Tighten the nut.

Secure the plate to the deck or wooden support with two wood screws.

Leave the protective sleeve on the spout supply tube until the spout is installed.

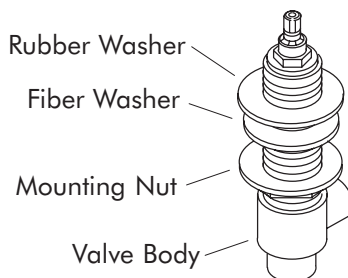


2. VALVE BODY INSTALLATION

INSTALLATION TO A FINISHED DECK/RIM

Thread a mounting nut onto each of the valve bodies with the flange side facing up.

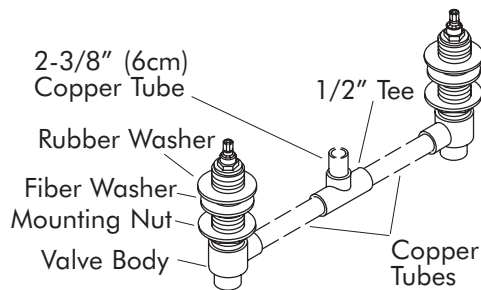
Slide a fiber washer and a rubber washer onto each valve body.



Connect each of the valve body outlets to a 1/2" tee using 1/2" nominal 5/8" O.D. copper tubing. Each tube will measure 2-7/8" (7.3cm) for installations with 8" (20.3cm) centers. If installation is not an 8" (20.3cm) center, adjust the tubing lengths as needed.

Insert a 2-3/8" (6cm) length of 1/2" nominal 5/8" O.D. copper tubing into the top of the tee.

Do not solder the connections at this time.



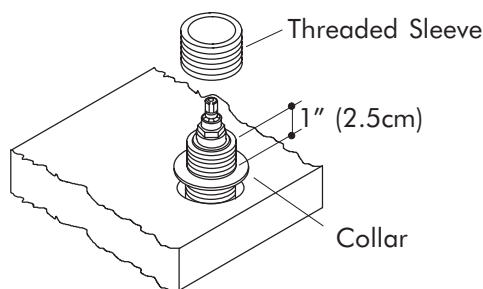
Insert the valve bodies through the mounting holes from the underside of the deck/rim. Make sure the valve body marked "COLD" is on the right when facing the front of the faucet.

Line up the copper tube in the tee with the spout supply tube.

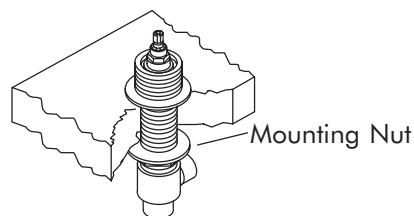
Thread a collar onto each of the valve bodies with the flange side facing up. Thread down until the top of the collar is at least 1" (2.5cm) from the top thread on the valve body.

Install a threaded sleeve onto each valve body until the sleeve bottoms out on the valve body.

Back off collar until it contacts the threaded sleeve.



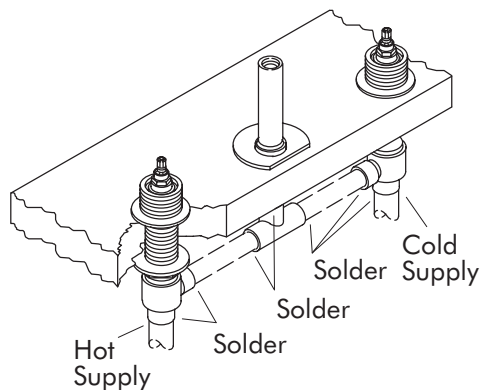
Tighten the mounting nuts up against the underside of the deck/rim.



Solder the copper tubes to the valve body outlets, tee, and spout supply tube.

Solder the hot and cold water supply tubes to the valve bodies. Make sure the cold supply is connected to the valve body on the right.

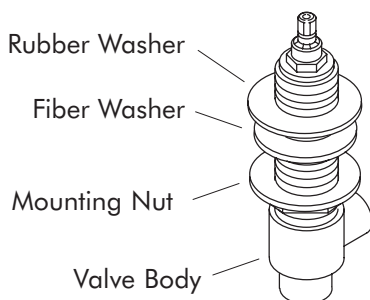
Continue to Installation Checkout.



INSTALLATION TO AN UNFINISHED DECK

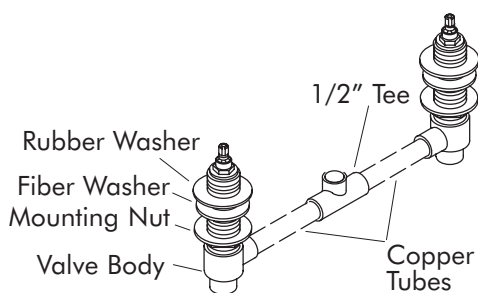
Thread a mounting nut onto each of the valve bodies with the flange side facing up.

Slide a fiber washer and a rubber washer on to each valve body.



Connect each of the valve body outlets to the 1/2" tee using 1/2" nominal 5/8" O.D. copper tubing. Each tube will measure 2-7/8" (7.3cm) for installations with 8" (20.3cm) centers. If installation is not an 8" (20.3cm) center, adjust the tubing lengths as needed.

Do not solder the connections at this time.

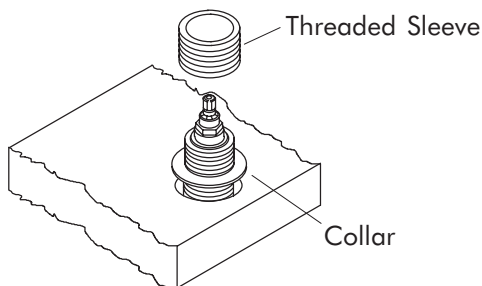


Insert the valve bodies through the mounting holes from the underside of the deck/rim. Make sure the valve body marked "COLD" is on the right when facing the front of the faucet.

Thread a collar onto each of the valve bodies with the flange side facing up. Thread down until the top of the collar is at least 1" (2.5cm) from the top thread on the valve body.

Install a threaded sleeve onto each valve body until the sleeve bottoms out on the valve body.

Back off collar until it contacts the threaded sleeve.



TILE OR DECK MATERIAL IS LESS THAN 1" (2.5cm) THICK

If the tile to be installed is less than 1" (2.5cm) thick, add tile measurement to 1-1/4" (3.2cm).

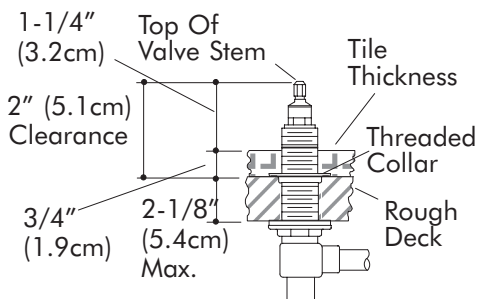
Example: Tile thickness (3/4" (1.9cm)) + 1-1/4" (3.2cm) = 2" (5.1cm) clearance.

TILE OR DECK MATERIAL IS BETWEEN 1" (2.5cm) - 1-1/4" (3.2cm) THICK

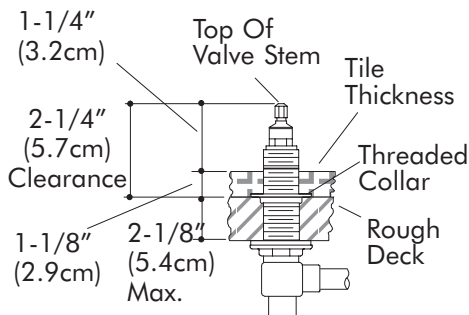
If the tile to be installed is between 1" (2.5cm) and 1-1/4" (3.2cm) thick, add only 1" (2.5cm) to 1-1/4" (3.2cm).

Example: Tile thickness (1-1/8" (2.9cm)) = 1" (2.5cm) + 1-1/4" (3.2cm) = 2-1/4" (5.7cm) clearance.

Adjust the threaded collar until the dimension from the top of the valve stem to the top of the rough deck surface equals the clearance requirement you calculated.

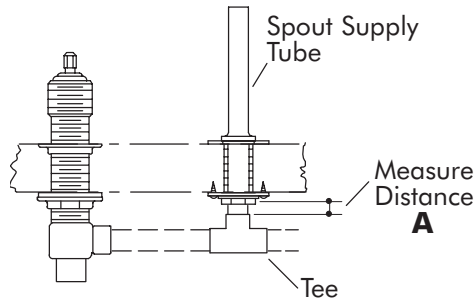


TILE THICKNESS LESS THAN 1" (2.5cm)



TILE THICKNESS 1" (2.5cm) - 1-1/4" (3.2cm)

Measure distance **A** from the bottom of the spout supply tube to the top of the tee. Add 1" (2.5cm) to that measurement and cut a piece of 1/2" nominal 5/8" O.D. copper tubing to fit into the supply tube and tee port.



$$\text{A} + 1" (2.5\text{cm}) = \text{length of tubing}$$

Back off the collars on the valve bodies as far as possible without removing.

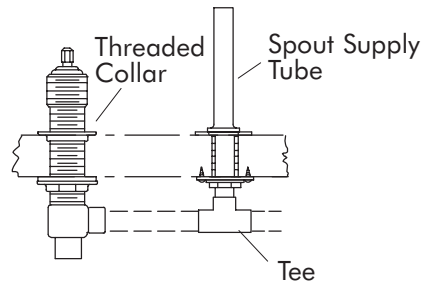
Pivot the valve bodies to remove the tee and two pieces of copper tubing. It may be necessary to remove the entire assembly.

Install the short piece of tubing into the top of the tee.

Reconnect the tee to the valve bodies with the two pieces of copper tubing.

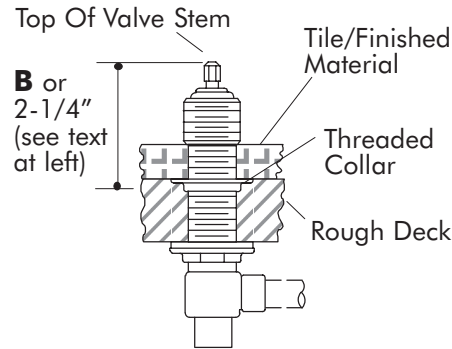
Align the tubing from the tee with the spout supply tube.

Do not solder the connections at this time.



TILE OR DECK MATERIAL IS LESS THAN 1" (2.5cm) THICK:

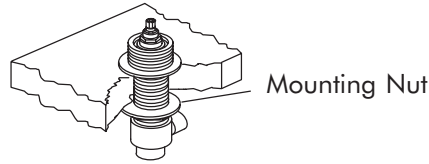
Adjust the collars on the valve bodies until the tops of the valve stems are distance **B** (calculated earlier) up from the surface of the rough deck.



TILE OR DECK MATERIAL IS BETWEEN 1" (2.5cm) AND 1-1/4" (3.2cm) THICK:

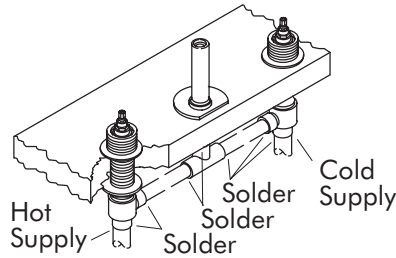
Adjust the collars on the valve bodies until the tops of the valve stems are 2-1/4" (5.7cm) up from the surface of the rough deck.

Tighten the mounting nuts up against the underside of the deck/rim.



Solder the copper tubes to the valve body outlets, tee, and spout supply tube.

Solder the hot and cold water supply tubes to the valve bodies. Make sure the cold supply is connected to the valve body on the right.



3. INSTALLATION CHECKOUT

Thread a 3/8" pipe plug into the top of the spout supply tube.

Ensure that the valves are closed (cold fully counterclockwise, hot fully clockwise).

Turn on the main water supply and check the complete installation for leaks with the valves closed and open.

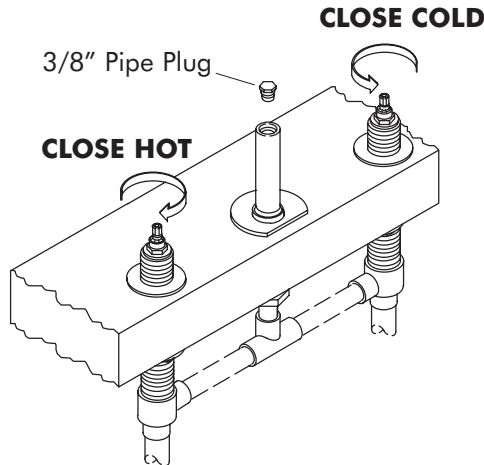
Close both valves. Turn off the main water supply.

⚠ CAUTION: Risk of personal injury. Lines will be pressurized. Do not lean over the pipe plug when turning or removing the plug.

Wrap a towel around the pipe plug to prevent water spray. Water will purge from the supply tube when you remove the plug.

Carefully back out the pipe plug to relieve the water pressure.

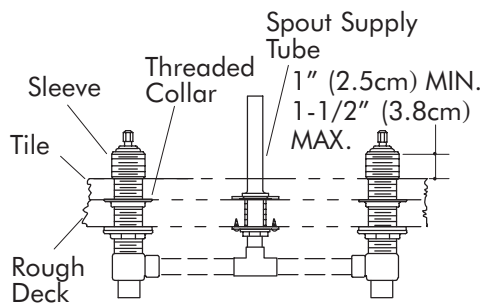
Thread the pipe plug into the spout supply tube. Leave the pipe plug installed until the spout and handle are installed.



4. INSTALL TILE (IF APPLICABLE)

Verify that there will be a 1" (2.5cm) to 1-1/2" (3.8cm) distance from the top of the valve shoulder to the top of the tile. If not, do not install the tile due to improper valve installation.

If proper clearance exists, install the tile up to the plaster guards on the valves and the spout supply tube.

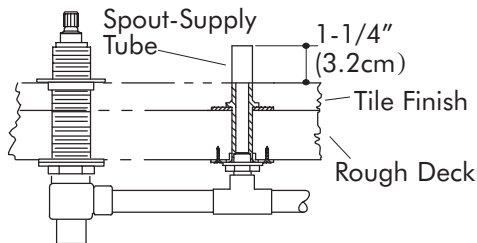


5. SPOUT INSTALLATION

Remove the plasterguard from the spout-supply tube.

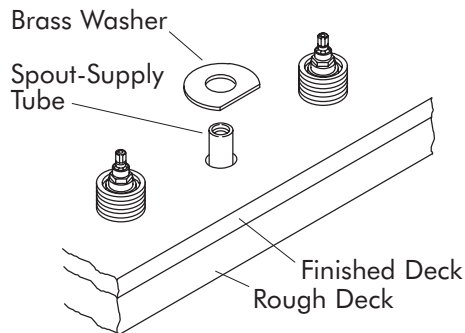
Cut off the spout-supply tube 1-1/4" (3.2cm) above the rim, finished deck, or tile.

CAUTION: Risk of product damage. Ensure that all burrs are removed from the supply tube to prevent damage to the O-ring seal inside the sleeve.



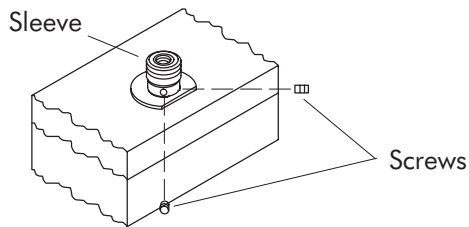
THE FOLLOWING STEP IS ONLY APPLICABLE TO A TILE-COVERED ROUGH-DECK INSTALLATION.

Slide the brass washer on the spout-supply tube with the flat side facing forward. The brass washer is furnished with the spout.



Back off the screws in the sleeve, and with a twisting motion install the sleeve onto the spout supply tube until it contacts the washer surface.

Align the sleeve so the screws are not facing directly forward or backward. Tighten the screws.



Remove the setscrew from the back of the spout assembly.

Thread the collar onto the spout assembly until the collar runs out of thread.

Slide the sleeve onto the spout assembly – then thread the escutcheon all the way up.

Apply a ring of plumbers putty or other sealant around the underside of the escutcheon according to the putty manufacturer's instructions.

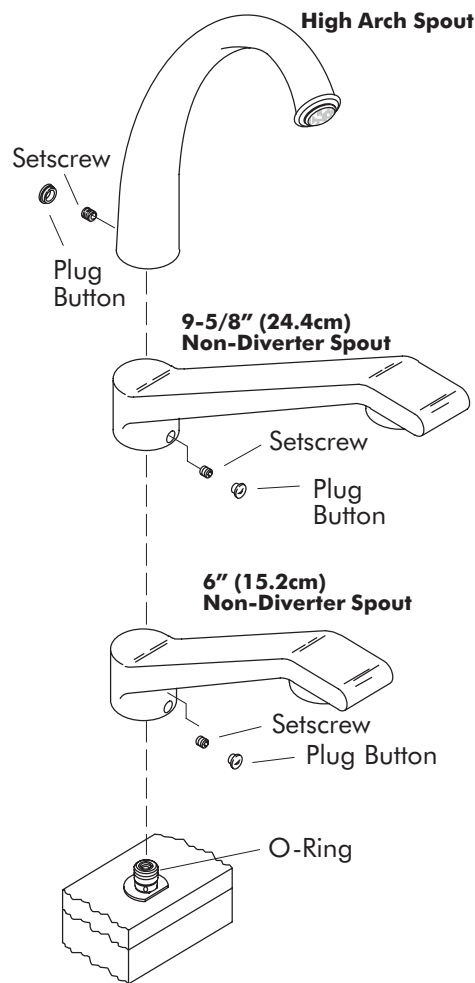
Slip the spout over the supply tube, and push down the spout until it makes contact with the deck.

CAUTION: Risk of product damage. Be careful not to damage or cut the supply-tube O-rings.

Position the spout, and tighten the setscrew.

If included, press the plug button into the setscrew hole.

Remove any excess putty.



6. HANDLE INSTALLATION

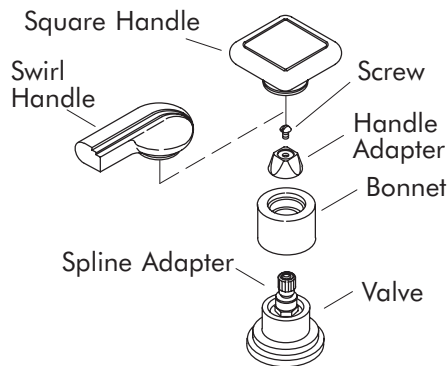
SQUARE AND SWIRL HANDLES:

Position the bonnets over the valves.

Fit the handle adapters on the spline adapters, and align the external flats of the handle adapters so they are parallel with the spout flats. You may need to remove and reposition the spline adapters to correctly align the handle adapters.

Secure the handle adapters to the valve stem with the screw provided.

Position the handles to the handle adapters, and thread the bonnets up onto the handle threads until snug.



LEVER AND T-HANDLES:

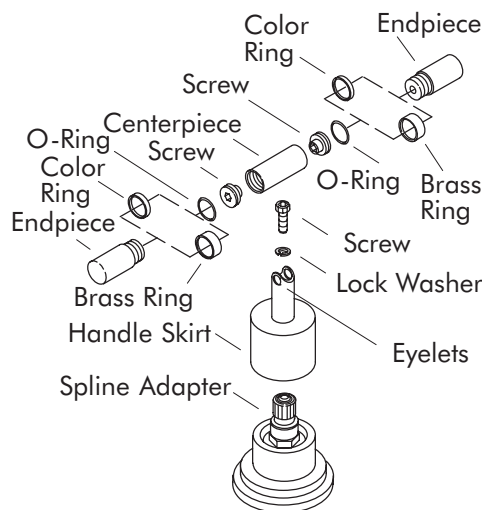
Position the handle skirts on the spline adapters so the handle skirt eyelet holes are in line with one another. Secure the handle skirts in place with lock washers and screws. Securely tighten the screws with a 5/32" hex wrench.

Fit the centerpieces onto the handle skirts, and secure each centerpiece in place with two screws. Securely tighten the screws with a 5/32" hex wrench.

Slip the color rings or brass rings (varies with handle style) over the endpiece threads and onto the shoulders of the endpieces.

Carefully install the O-rings over the endpiece threads and onto the shoulders of the endpieces.

Carefully thread the endpieces to the centerpieces until tight.



Endpiece Length Will Vary With Handle Style

7. INSTALLATION COMPLETION

Ensure that the valves are closed (cold fully counterclockwise, hot fully clockwise).

For high arch spouts, remove the trim ring/aerator assembly from the spout.

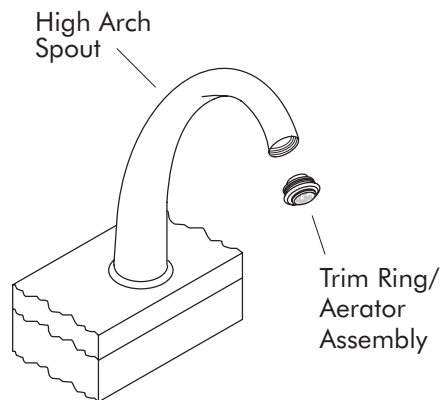
Turn on main water supply.

Open faucet valves.

Run water for approximately one minute to flush system.

Check all connections for leaks.

For high arch spouts, reinstall the trim ring/aerator assembly.



CALL US FOR HELP

Questions? Problems? First review the installation instructions to ensure correct installation. For additional assistance, call our Customer Service Department for direct help. You may also contact us at our web site listed below.

In the U.S.A., call 1-800-4-KOHLER

In Mexico, call 001-877-680-1310

In Canada, call 1-800-964-5590

THE BOLD LOOK
OF **KOHLER**[®]
www.kohlerco.com