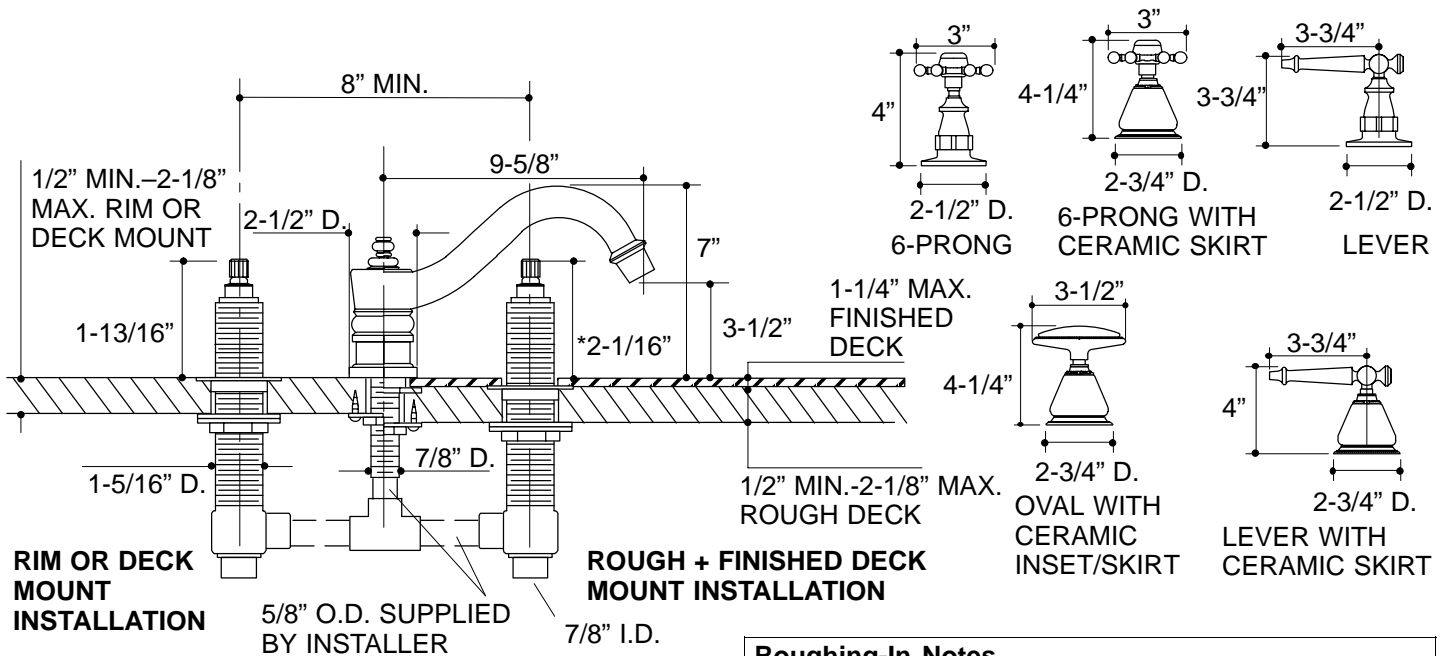


## Ordering Information

Applicable faucet trim:	
Six-prong handles with spout	K-T125-3
Lever handles with spout	K-T125-4
Six-prong handles with spout*	K-T125-3D
Lever handles with spout*	K-T125-4D
Oval handles with spout*	K-T125-9B
Accessories/hardware:	
Ceramic skirts (pr.)	K-251
Ceramic oval handle insets and skirt (pr.)	K-260
*Requires ceramic skirts.	
**Requires ceramic oval handle insets and skirts.	
<b>ADA</b> Lever handle is ADA compliant	

Applicable valve:		
3/4" valve system	K-301-K-NA	required***
***Required for configuration illustrated.		



### Roughing-In Notes

\*Dimension allows +/- 1/4" handle adjustment during handle trim installation.