

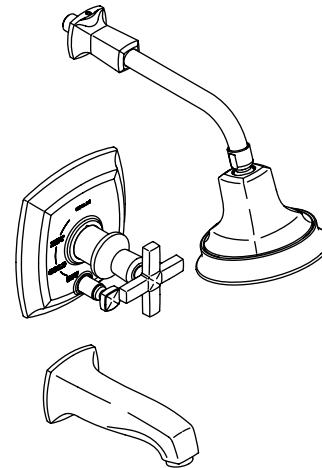
Features

- Brass construction
- MasterClean™ sprayface on showerhead resists mineral buildup
- Available with cross handle or ADA compliant lever handle
- Push button diverter on bath and shower trim models [K-T16233]
- Requires a Rite-Temp valve
- Complements Margaux Suite

**BATH AND SHOWER TRIM
K-T16233**

ALSO K-T16234, K-T16235, K-T16246

ADA



Codes/Standards Applicable

Specified model meets or exceeds the following:

- ASME A112.18.1
- ASSE 1016
- IAPMO/cUPC
- ADA

Colors/Finishes

- CP: Polished Chrome
- Other: Refer to Price Book for additional colors/finishes

Accessories

- NA: None applicable

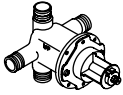
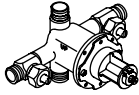
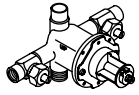


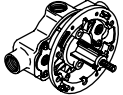
Specified Model

Model	Description	Colors/Finishes	
K-T16233-3	Bath and shower trim – cross handle (shown)	<input type="checkbox"/> CP	<input type="checkbox"/> Other ____
K-T16233-4	Bath and shower trim – lever handle	<input type="checkbox"/> CP	<input type="checkbox"/> Other ____
K-T16234-3	Shower trim only – cross handle	<input type="checkbox"/> CP	<input type="checkbox"/> Other ____
K-T16234-4	Shower trim only – lever handle	<input type="checkbox"/> CP	<input type="checkbox"/> Other ____
K-T16235-3	Valve trim – cross handle	<input type="checkbox"/> CP	<input type="checkbox"/> Other ____
K-T16235-4	Valve trim – lever handle	<input type="checkbox"/> CP	<input type="checkbox"/> Other ____
K-16246	Bath spout	<input type="checkbox"/> CP	<input type="checkbox"/> Other ____

Product Specification

Bath and shower trim shall be of brass construction. Faucet trim shall be available with a cross handle or ADA compliant lever handle. Product shall feature a push button diverter on bath and shower trim models [K-T16233]. Showerhead shall feature a MasterClean sprayface on showerhead which resists mineral buildup. Product requires a Rite-Temp valve. Product shall complement the Margaux Suite. Bath and shower trim shall be Kohler Model K-T____-____-____ or K-____-____ and Rite-Temp valving shall be K-____-____-NA.

MARGAUX™ RITE-TEMP®

Required Rite-Temp Valve							
K-304-K	Less stops	<input type="checkbox"/> NA					
K-304-KP	CPVC connections – with stops		<input type="checkbox"/> NA				
K-304-KS	With stops			<input type="checkbox"/> NA			
K-305-K	Push-button diverter – less stops				<input type="checkbox"/> NA		
K-305-KS	Push-button diverter – with stops					<input type="checkbox"/> NA	
K-306-KS	HiFlow – with stops						<input type="checkbox"/> NA

* Requires 88526-C/F for thin wall installations.

Installation Notes

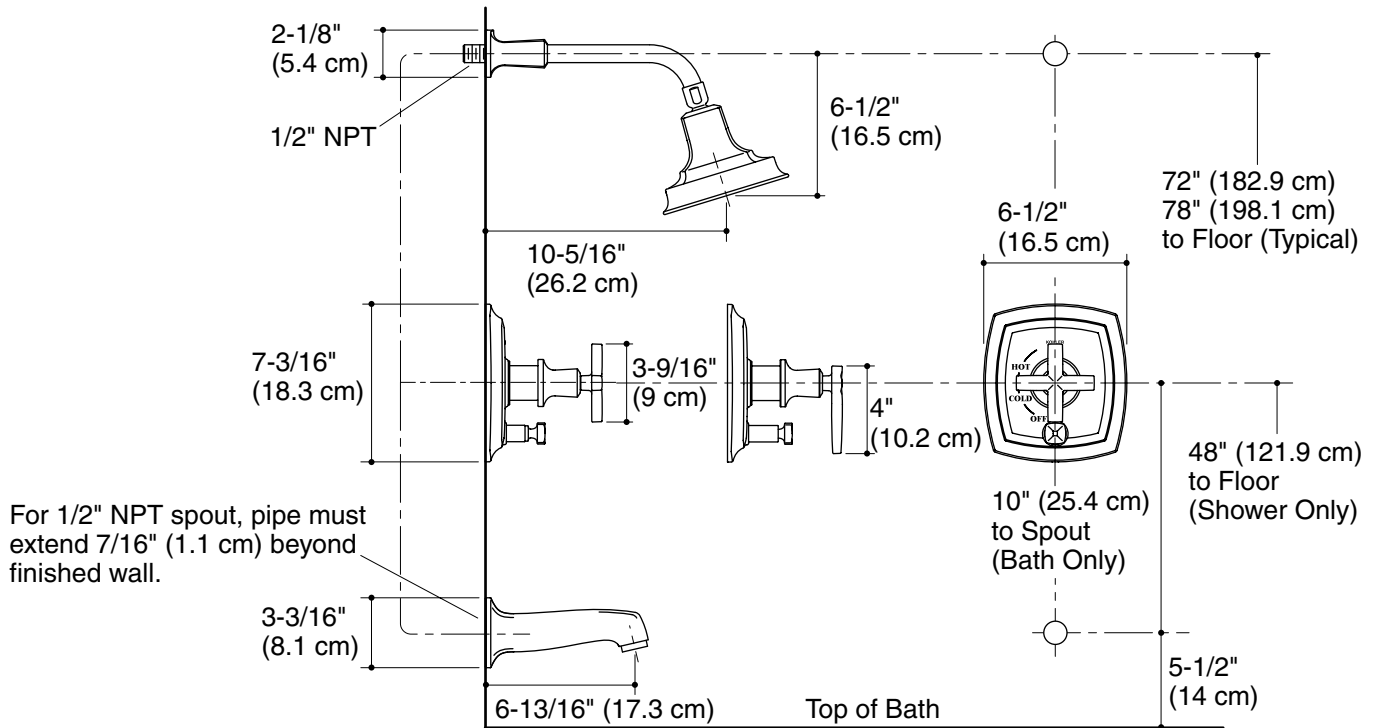
Install this product according to the installation guide.

NOTICE: For K-306-KS valve: The thin wall installation kit (88526-C/F) is required for thin wall (fiberglass or acrylic) installations.

Avoid cross-flow conditions. Do not install shut-off device on either valve outlet.

Cap shower outlet if deck-mount spout, diverter, or handshower is connected to spout outlet.

Install straight pipe or tube drop of 7" (17.8 cm) to 18" (45.7 cm) with single elbow between the valve and wall-mount spout.



Product Diagram