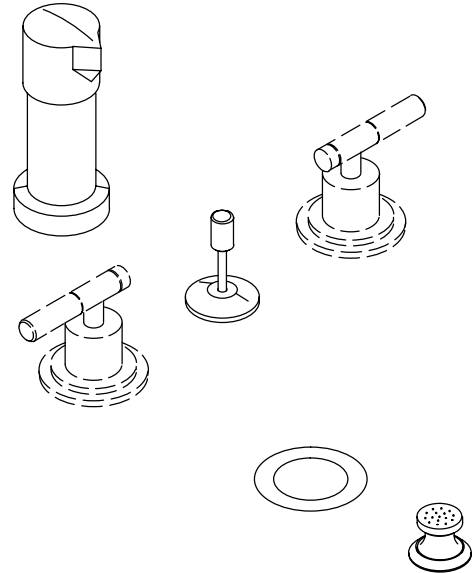


**FEATURES**

- Brass construction
- Flexible connections
- Brass valve bodies
- Quarter-turn washerless ceramic disc valves
- Pop-up drain with lift rod and tailpiece
- Variety of handle style options
- Vertical spray
- Fixture-mount transfer valve/vacuum breaker



**CODES/STANDARDS APPLICABLE**





Specified model meets or exceeds the following:

- ASME/ANSI A112.18.1M
- CSA B125
- IAPMO/UPC
- Listed in the State of Michigan

**COLORS/FINISHES**

- CP Polished Chrome
- PB Polished Brass
- Other Refer to Faucets Price Book for additional finishes

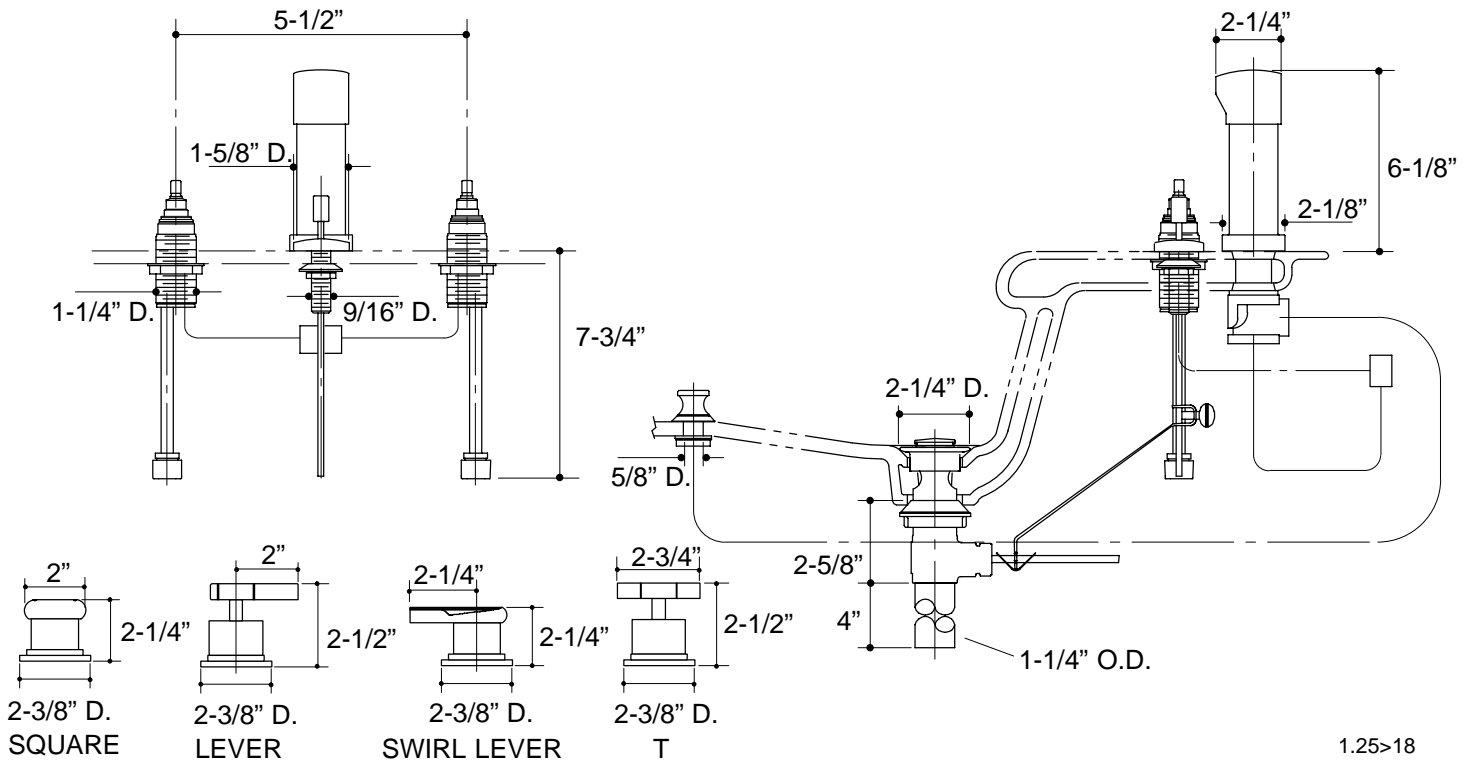
**SPECIFIED MODEL:**

Model	Description				
K-8247-2	Square Handles	<input type="checkbox"/> CP <input type="checkbox"/> P B			
K-8247-4	Lever Handles		<input type="checkbox"/> CP <input type="checkbox"/> P B <input type="checkbox"/> Oth- er_____		
K-8247-4A	Swirl Lever Handles			<input type="checkbox"/> CP <input type="checkbox"/> P B	
K-8247-6	T-Handles				<input type="checkbox"/> CP <input type="checkbox"/> PB <input type="checkbox"/> Oth- er_____

**PRODUCT SPECIFICATION:**

Two-handle fixture-mount bidet faucet shall be of brass construction. Faucet shall feature brass valve bodies. Faucet shall feature quarter-turn washerless ceramic disc valves, assuring positive handle stop positioning. Product shall include flexible connections, pop-up drain with lift rod and tailpiece, handles, vertical spray, and fixture-mount valve/vacuum breaker. Faucet shall be Kohler Model K-8247-\_\_\_\_\_-\_\_\_\_\_.

# TABORET®



1.25>18

## PRODUCT DIAGRAM