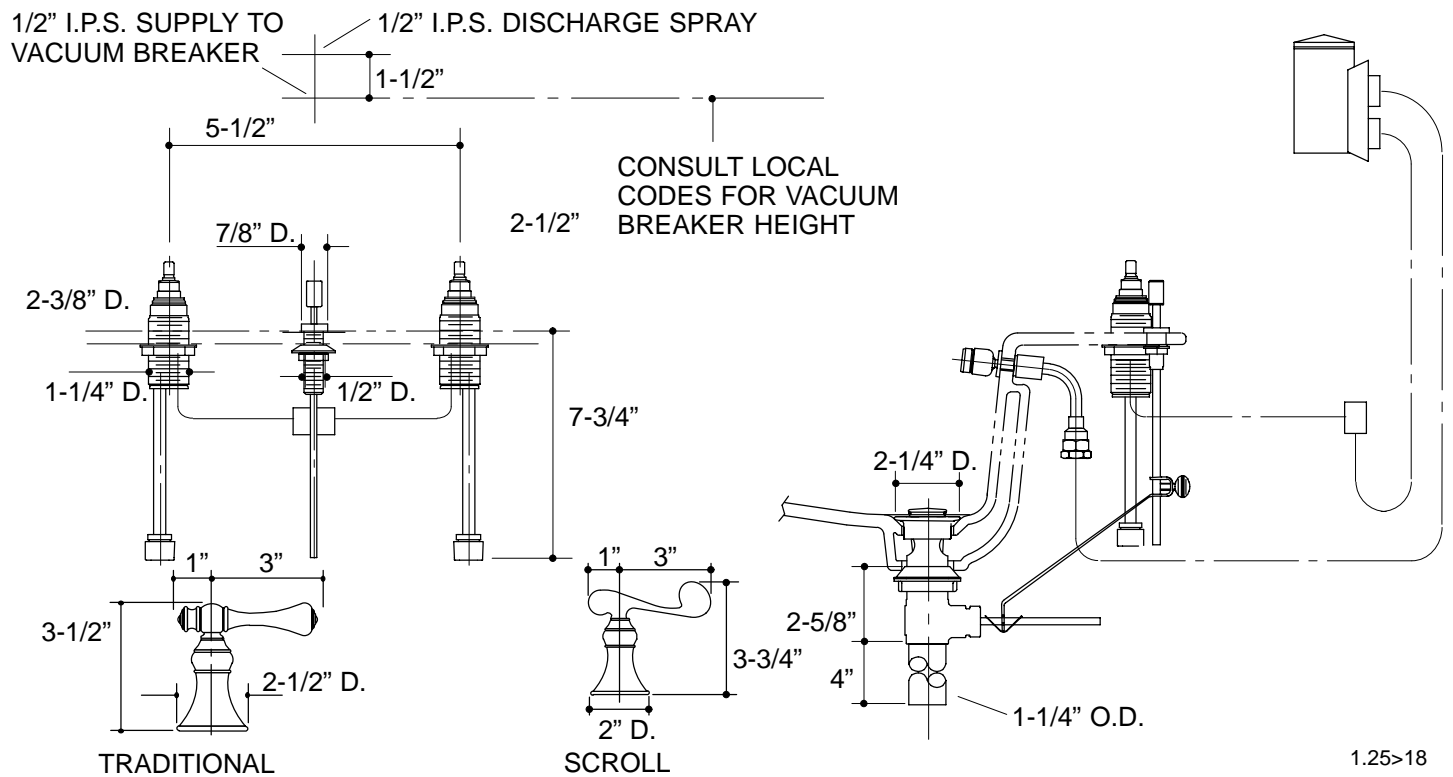


### Ordering Information

Applicable bidet faucet:	
Scroll handles	K-16137-4
Traditional handles	K-16137-4A
<b>ADA</b>	Traditional and scroll lever handles are ADA compliant



**K-16137** Revival™ Bidet Faucet  
114608-1-BA (-)

**NOTES:**