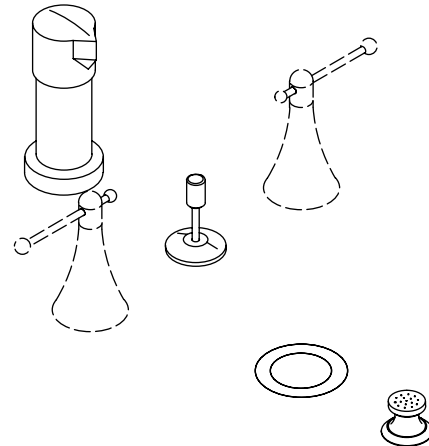


**BIDET FAUCET
K-316**

Features

- Flexible connections for easy installation
- Vertical spray
- Brass construction
- Brass valve bodies
- Pop-up drain with lift rod and tailpiece
- Fixture-mount transfer valve/vacuum breaker
- Quarter-turn washerless ceramic disc valves
- Variety of handle style options



Codes/Standards Applicable



Specified model meets or exceeds the following:

- ASME A112.18.1
- CSA B125
- IAPMO/UPC
- Listed in the State of Michigan
- ADA

Colors/Finishes

- CP: Polished Chrome
- Other: Refer to Price Book for additional colors/finishes

Specified Model

Model	Description	 ADA		 ADA	
K-316-4	Finial® bidet faucet with lever handles	<input type="checkbox"/> CP	<input type="checkbox"/> Other _____		
K-316-6	Finial® bidet faucet with T-handles			<input type="checkbox"/> CP	<input type="checkbox"/> Other _____

Product Specification

Two-handle bidet faucet shall be of brass construction. Faucet shall feature quarter-turn washerless ceramic disc valves, assuring positive handle stop positioning. Product shall include flexible connections, pop-up drain and tailpiece, handles, vertical spray, and fixture-mount transfer valve/vacuum breaker. Faucet shall be Kohler Model K-316-_____-_____-.

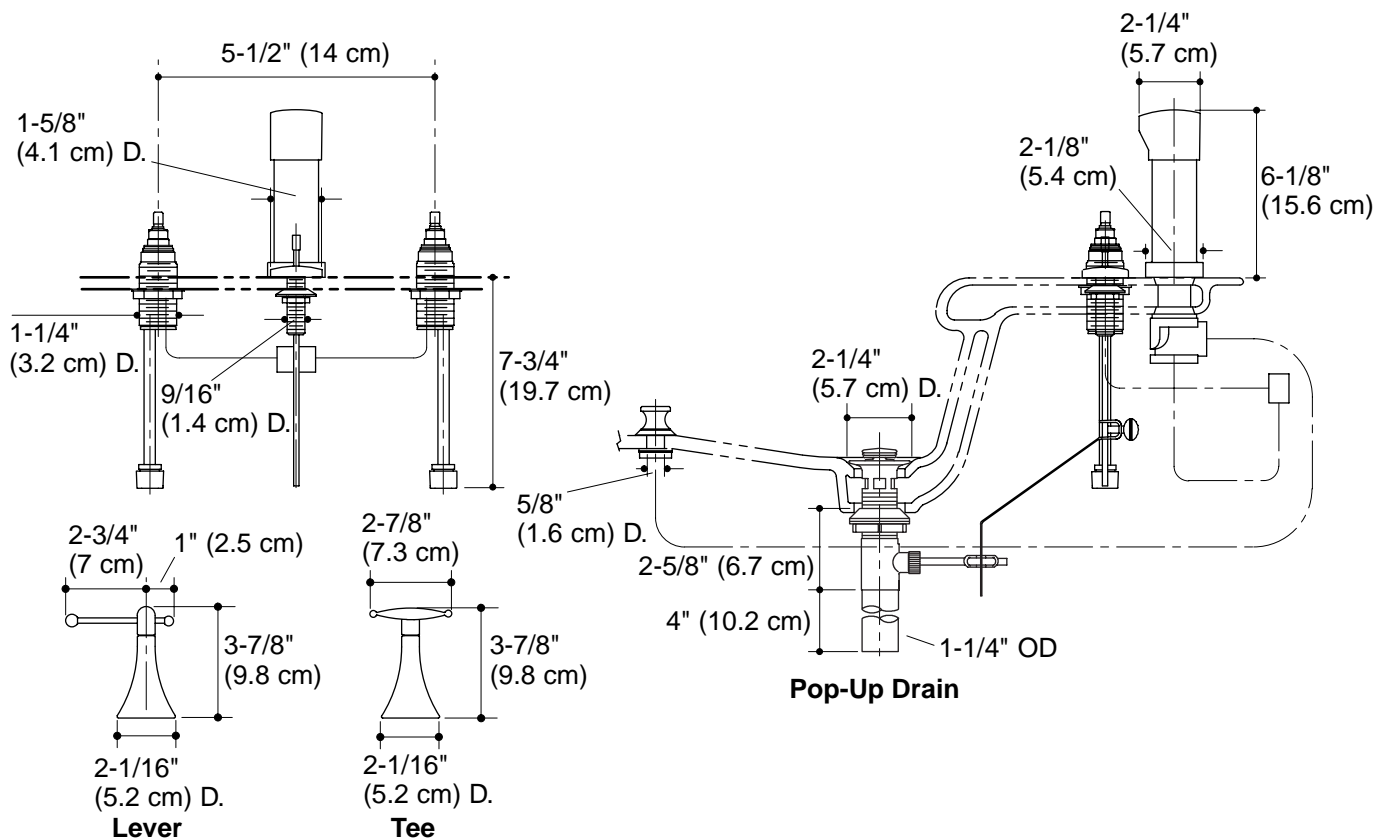
FINIAL® FUNDAMENTALS

Technical Information

Applicable faucet trim:	
With lever handles	K-316-4
With T-handles	K-316-6
Handles are ADA compliant. ADA	

Installation Notes

Install this product according to the installation guide.



Product Diagram