

**BIDET FAUCET
K-13142**

ADA

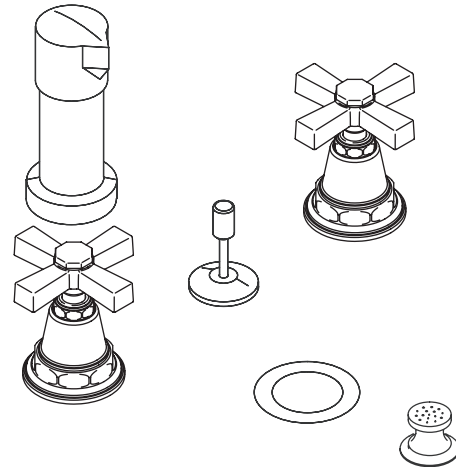
Features

- Metal construction
- Flexible connections for easy installation
- Brass valve bodies
- Reversible quarter-turn washerless ceramic disc valves
- Pop-up drain with lift rod and tailpiece
- Vertical spray
- Fixture-mount transfer valve/vacuum breaker
- Available with cross or lever handles

Codes/Standards Applicable

Specified model meets or exceeds the following:





- ASME A112.18.1/CSA B125.1
- IAPMO/UPC
- ASSE 1001
- ADA



Colors/Finishes

- CP: Polished Chrome
- Other: Refer to Price Book for additional colors/finishes

Specified Model

Model	Description	 ADA	 ADA	 ADA	 ADA
K-13142-3A	Bidet faucet with plain cross handles	<input type="checkbox"/> CP <input type="checkbox"/> Other			
K-13142-3B	Bidet faucet with grooved cross handles		<input type="checkbox"/> CP <input type="checkbox"/> Other		
K-13142-4A	Bidet faucet with plain lever handles			<input type="checkbox"/> CP <input type="checkbox"/> Other	
K-13142-4B	Bidet faucet with grooved lever handles				<input type="checkbox"/> CP <input type="checkbox"/> Other

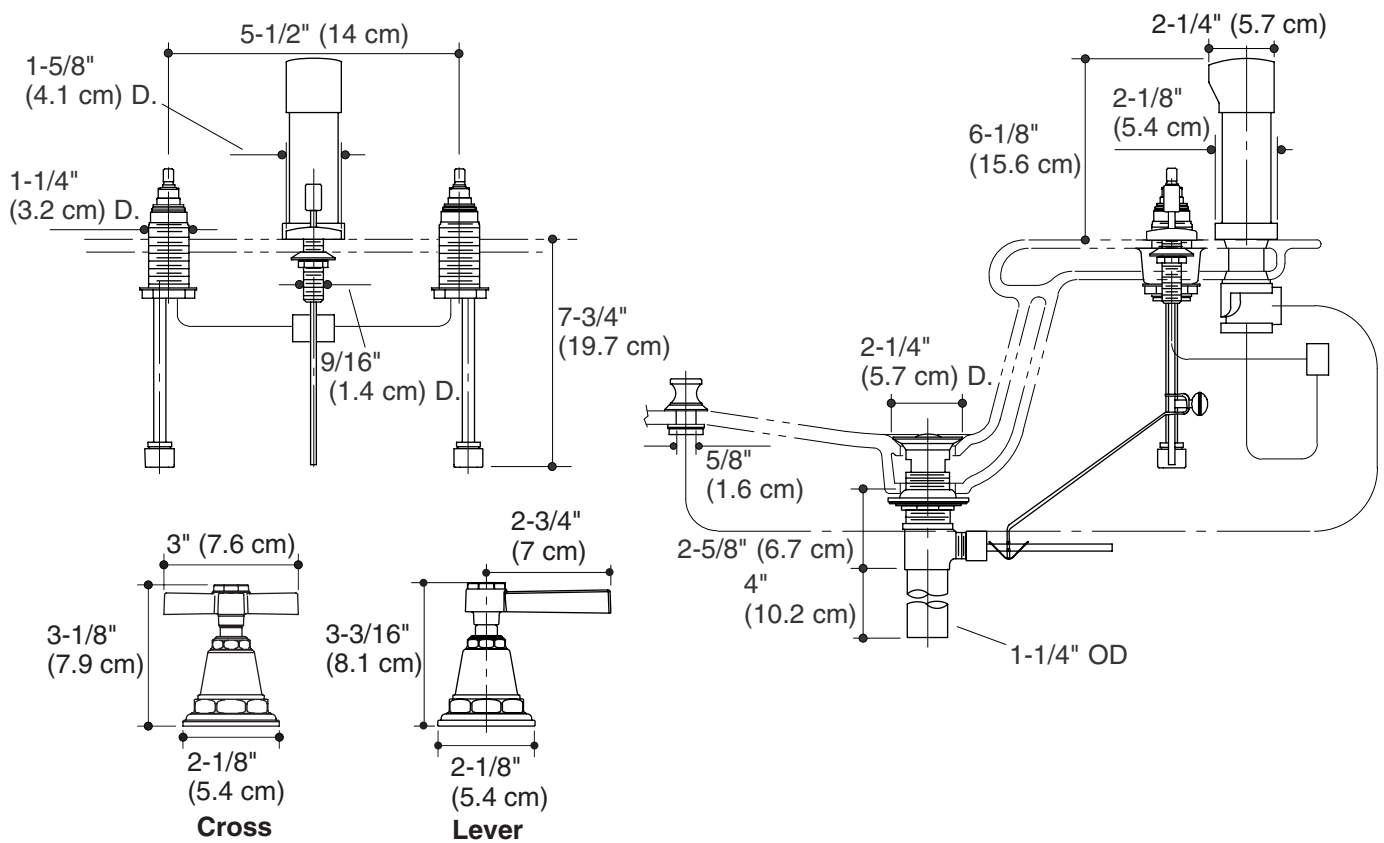
Product Specification

Two-handle fixture-mount bidet faucet shall be of metal construction. Faucet shall feature brass valve bodies. Faucet shall feature reversible quarter-turn washerless ceramic disc valves, assuring positive handle stop positioning. Product shall include flexible connections, pop-up drain with lift rod and tailpiece, handles, vertical spray, and fixture-mount valve/vacuum breaker. Faucet shall be Kohler Model K-13142-_____-_____.

PINSTRIPETM

Installation Notes

Install this product according to the installation guide.



Product Diagram