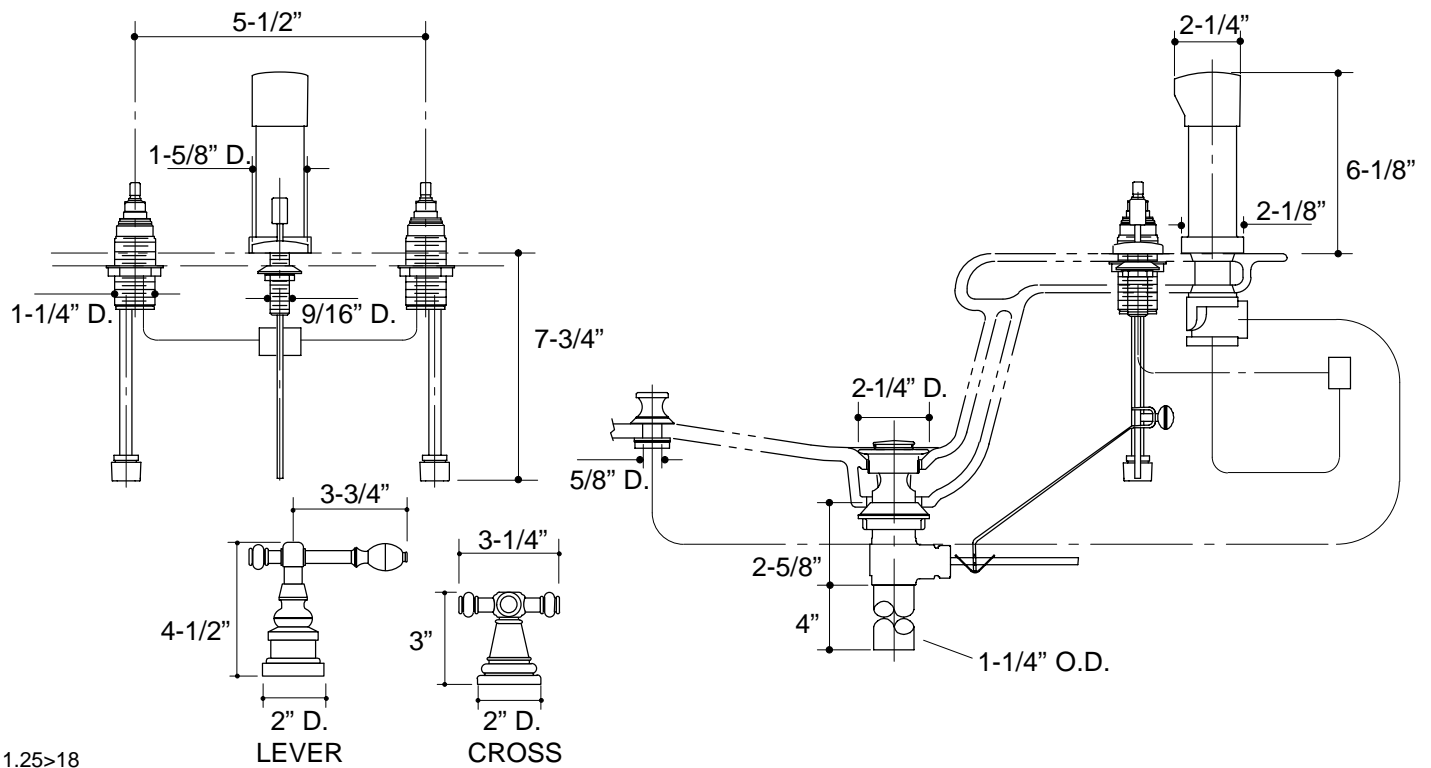


**Ordering Information**

Applicable faucet:	
With cross handles	K-6814-3
With lever handles	K-6814-4
<b>ADA</b> Lever and cross handles are ADA compliant	



**K-6814** IV Georges Brass™ Bidet Faucet  
113777-1-BA (9619)

**NOTES:**