

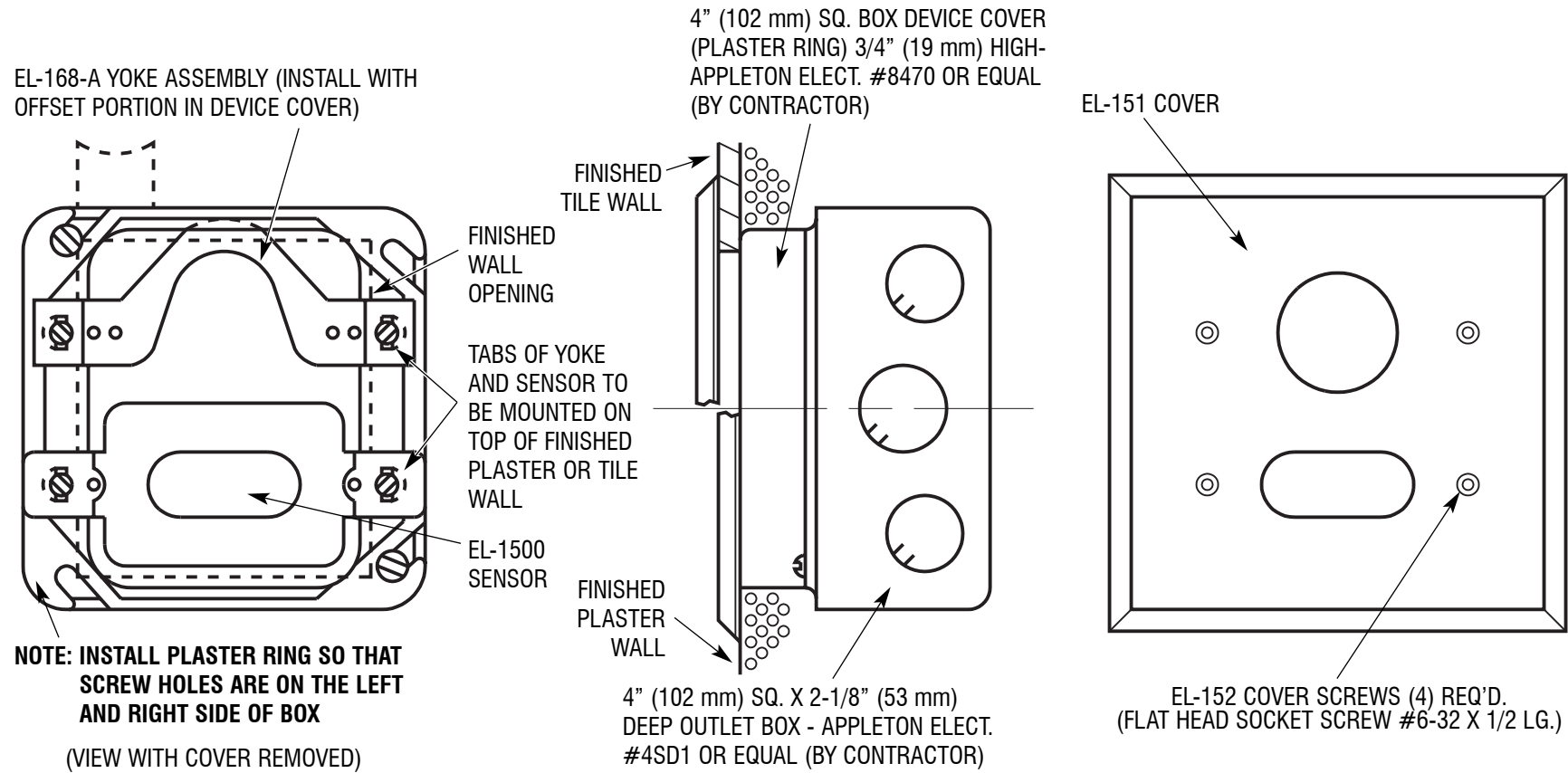
OPTIMA SYSTEMS

Electrical Box Rough-In Template for Sensor Operated Exposed Urinal Flushometers.

Model: *Royal*® 180 ES-S
180-1.5 ES-S
180-1 ES-S

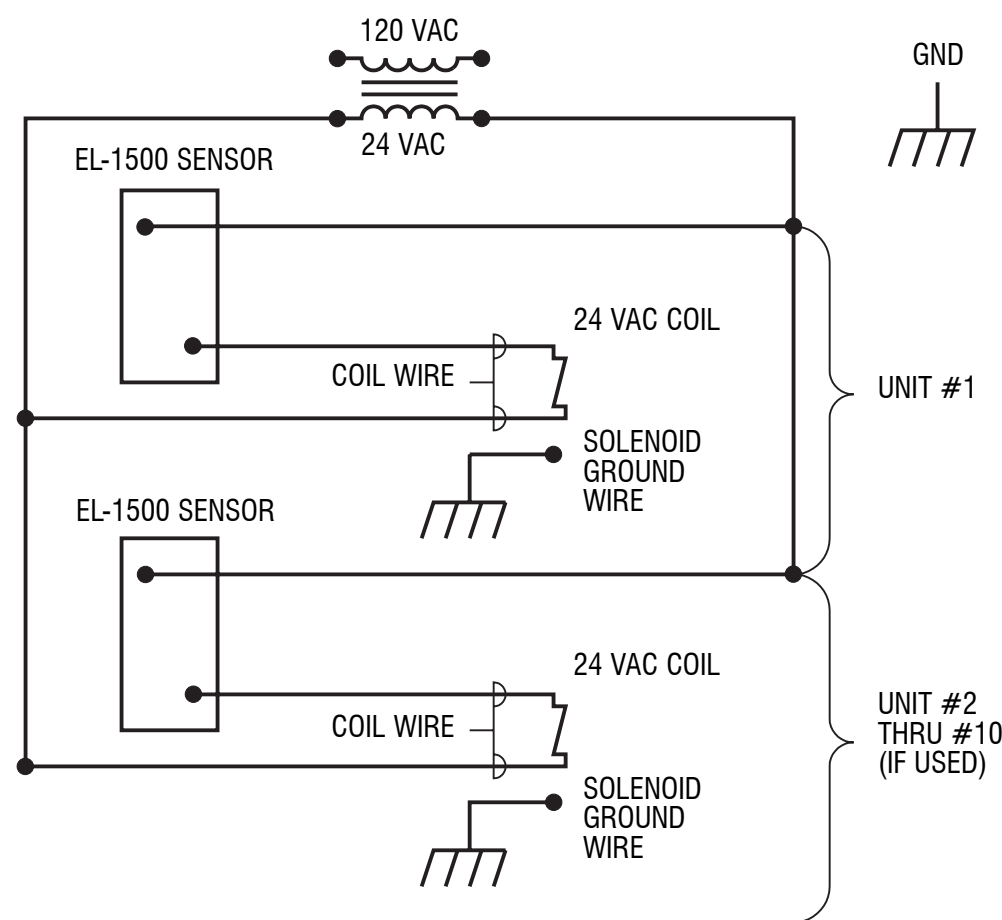
Model: *Royal*® 186 ES-S
186-1 ES-S

ELECTRICAL BOX INSTALLATION



WIRING DIAGRAM

Note: A maximum of ten (10) Sensor Flushometer units can operate from one (1) Sloan EL-154 transformer. Class II UL Listed, 48 VA (min.) at 24 VAC, plate mounted.



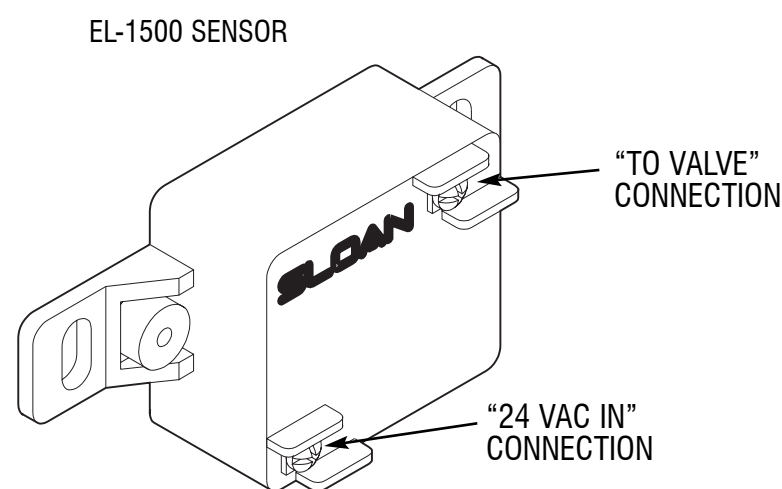
WIRING NOTES

Be certain power is OFF to prevent damage to electrical components. Connect sensor to transformer and solenoid coil EXACTLY as shown in Wiring Diagram.

Connect the 24 volt source lead to terminal labeled "24 VAC IN" of new sensor.

Connect solenoid lead to terminal labeled "TO VALVE" of new sensor.

Connect remaining solenoid lead to remaining 24 volt source lead.

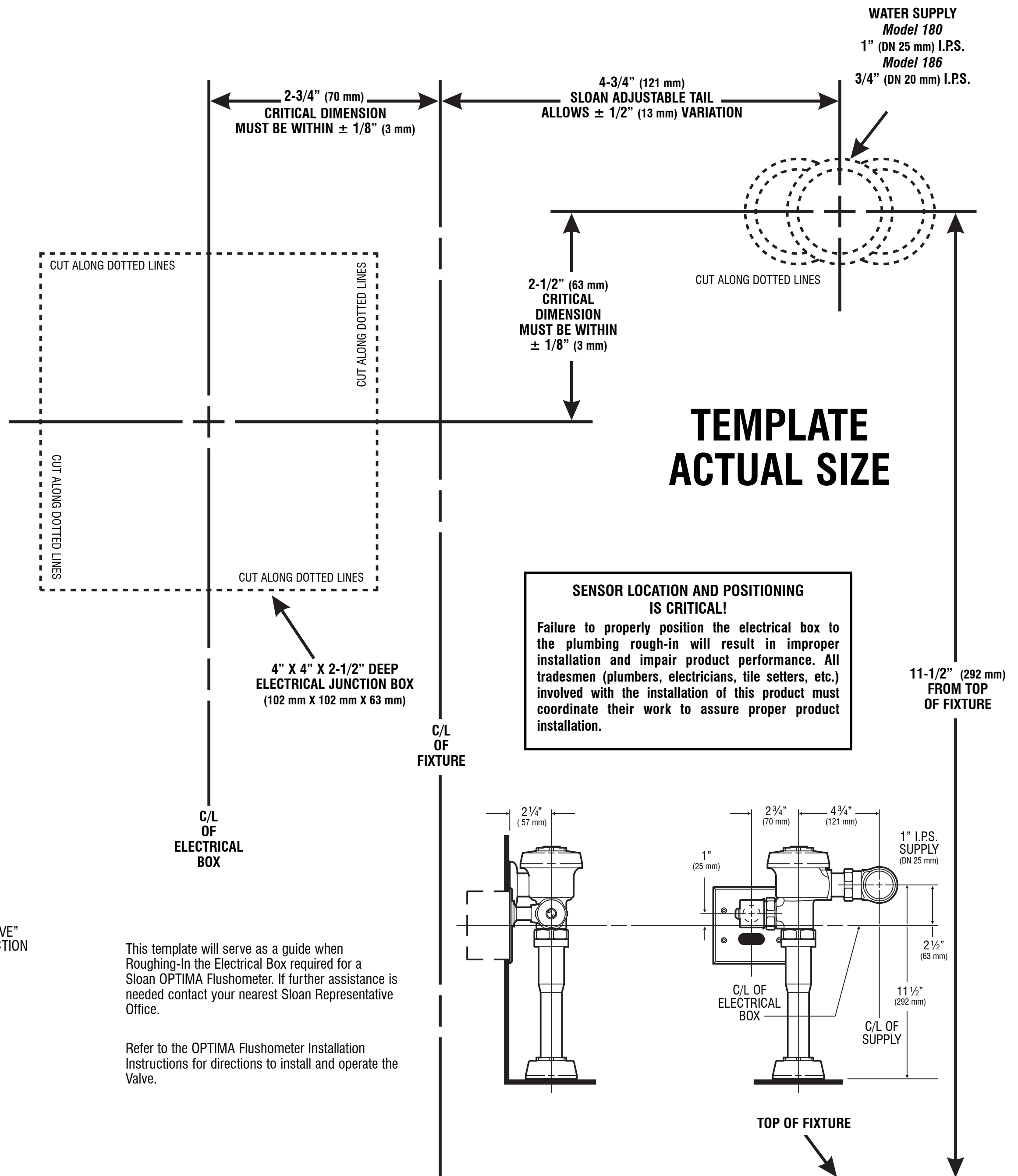


IMPORTANT: Early Models of the Sensor were made with four (4) Wire Leads. When replacing a four (4) Wire EL-150 Sensor with a three (3) Wire EL-150 Sensor the Black Lead replaces the Blue Lead, the Red Lead replaces the Yellow Lead and the White Lead combines and replaces the Brown & Red Leads.

HOW TO USE TEMPLATE

- Cut out Supply and Box openings (dotted lines).
- Place template over water supply rough-in.
- Align "C/L of Fixture" on template with actual Center Line of Fixture.
- Mount Electrical Box according to opening in template.

URINAL FLUSHOMETER TEMPLATE



SLOAN

SLOAN VALVE COMPANY • 10500 SEYMOUR AVENUE • FRANKLIN PARK, IL 60131

Phone: 1-800-9-VALVE-9 or 1-847-671-4300 • Fax: 1-800-447-8329 or 1-847-671-4380 • <http://www.sloanvalve.com>

Copyright © 2001 Sloan Valve Company Printed in the U.S.A. EL-1500 Template — Rev. 0a (03/01) Code No. 0816156