

## EAF-275

Solar Powered, Electronic  
Hand Washing Faucet

▶ **Description**

Solar Powered, Sensor Activated Electronic Hand Washing Faucet for pre-tempered or hot and cold water operation.

▶ **Models**

- EAF-275                      Single Supply Faucet  
  (For pre-mixed water only)
- EAF-275-ISM                With Integral Spout Temperature Mixer  
  (For Hot and Cold water supply connection)

▶ **Flow Rate**

- 0.5 gpm/1.9 Lpm Aerator Spray Head

▶ **Specifications**

Solar Powered, Sensor Activated, Electronic, Chrome Plated Constructed Metal, Hand Washing Faucet with the following features:

- Modular One-piece Construction with all Concealed Components above deck
- Double Infrared Sensors with Automatic Setting Feature
- Automatic Self-adapting Sensor Technology
- Solar Powered
- Magnetic Solenoid Valve
- Water Supply Connection with Flexible High-pressure Hose and Strainer
- Appropriate Mounting Hardware included
- Includes 6 VDC Lithium Battery Back-up Power Source

▶ **Variations**

- ISM**                      Integral Spout Mixer

▶ **Accessories**

• **Trim Plates**

- ETF-312-A**    Trim Plate for 4" (102 mm) Centerset Sink
- ETF-510-A**    Trim Plate for 8" (203 mm) Centerset Sink

**Trim Plates must be specified and ordered separately.**

• **Aerators**

- EAF-10**            2.2 gpm/8.3 Lpm Aerator Spray Head
- EAF-13**            2.2 gpm/8.3 Lpm Laminar Flow Spray Head

• **Faucet Extension Kit**

- EAF-35-A**    Faucet Extension Kit

▶ **Warranty**

3 year (limited)

▶ **ADA Compliant**



EAF-275-ISM

***The new Optima solar powered faucet  
— Bringing intelligence to water***

The first solar powered electronic faucet's integrated power plant transforms light into electrical energy. Optimal performance any place, any time; in sunlight or even artificial light. The unique "Solar Energy Module" utilizes any light source efficiently.

Sloan's new Optima EAF-275 Series electronic hand washing faucets operate by means of a dual infrared sensor and microprocessor based logic. The modular design incorporates all of the operating components of the faucet, including the sensor, solenoid, circuitry and solar energy module above the sink within a die-cast metal spout.

ISM models feature an integral temperature control lever which allows the user to adjust the water temperature. This adjustment can also be converted to a fixed setting. EAF faucets ordered without the ISM variation must be connected to a single, pre-tempered water supply.

|  |                |
|--|----------------|
| This space for Architect/Engineer approval |                |
| Job Name _____                             | Date _____     |
| Model Specified _____                      | Quantity _____ |
| Variations Specified _____                 |                |
| Customer/Wholesaler _____                  |                |
| Contractor _____                           |                |
| Architect _____                            |                |

# EAF-275

## Description

Solar Powered, Sensor Activated Electronic Hand Washing Faucet for pre-tempered or hot and cold water operation.

## Flow Rate

□ 0.5 gpm/1.9 Lpm Aerator Spray Head

## ELECTRICAL SPECIFICATIONS

### Control Circuit

6 VDC — Includes Auto Set and Range Adjustment LED

### Sensor Range

Nominal: 4" - 5" (102 mm - 127 mm)

Faucet Adaptive Self-adjustment Range:

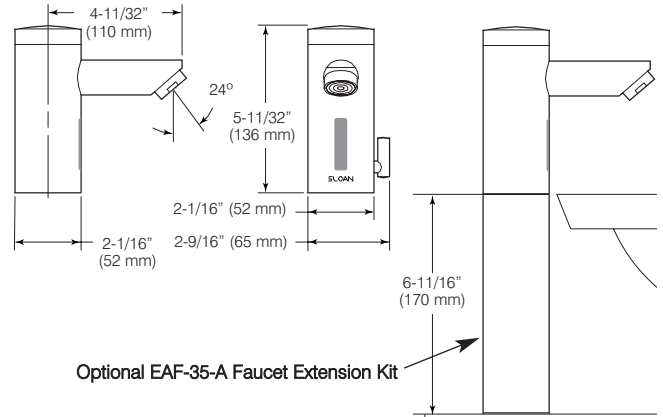
2" - 14" (51 mm - 356 mm) nominal

### Power Supply

6 VDC Solar Energy Module with 6 VDC Lithium Battery Back-up Power Source

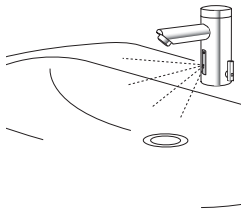
### Time Out Setting

3 minutes — Maximum time faucet will run upon continuous detection

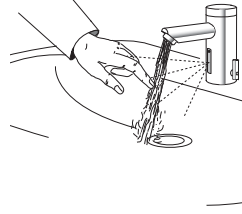


## OPERATION

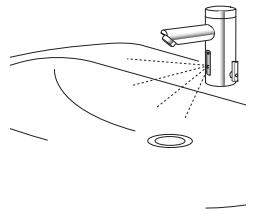
1. A continuous, invisible light beam is emitted from the Sensor located at the front of the hand washing faucet.



2. As the user's hands enter the beam's effective range, the beam is reflected back into the Sensor Receiver and activates the solenoid valve allowing water to flow from the faucet. Water will flow until the hands are no longer sensed or until the faucet reaches its automatic time out limit setting.



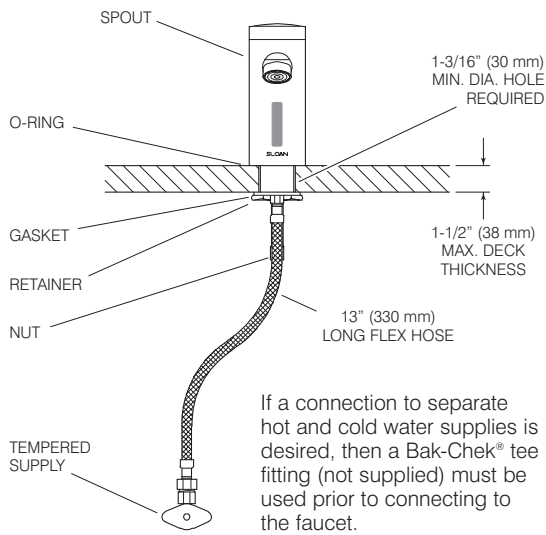
3. When hands are moved away from the Sensor, the loss of reflected light initiates an electrical signal that deactivates the Solenoid Valve shutting off the water flow. The Circuit then automatically resets and is ready for the next user.



## ROUGH-IN

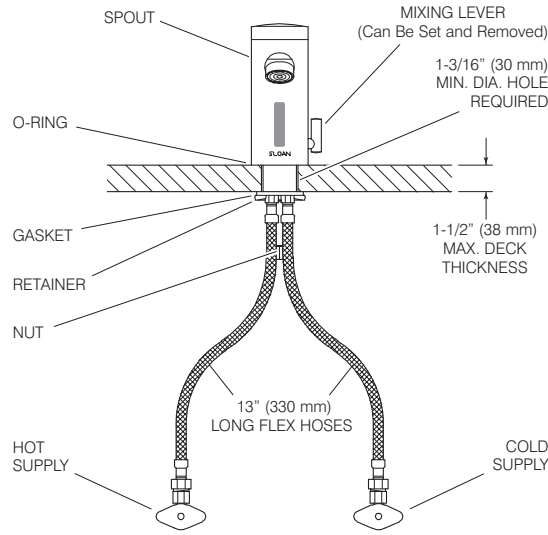
### EAF-275

#### Faucet with Single Line Water Supply



### EAF-275-ISM

#### Faucet with Hot and Cold Water Supply



When the EAF faucet is installed on a sink that has three (3) hole punchings, a Trim Plate should be used.

**Trim Plates must be specified and ordered separately:**

#### ETF-312-A

Trim Plate for 4" (102 mm) Centerset Sink

#### ETF-510-A

Trim Plate for 8" (203 mm) Centerset Sink

**SLOAN VALVE COMPANY • 10500 SEYMOUR AVENUE • FRANKLIN PARK, IL 60131**

Phone: 1-800-9-VALVE-9 or 1-847-671-4300 • Fax: 1-800-447-8329 or 1-847-671-4380 • www.sloanvalve.com