

**INSTALLATION INSTRUCTIONS  
FOR SLOAN ETF-460-A  
GRID STRAINER**

**INSTALLATION OF GRID STRAINER**

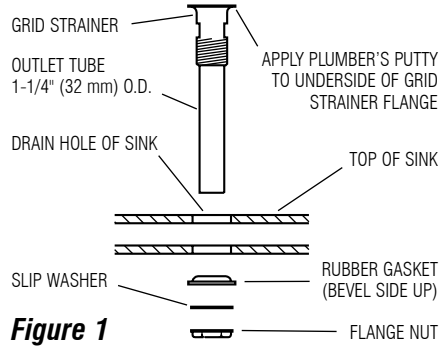
**Step 1 — Install Grid Strainer  
(Figure 1)**

Remove Flange Nut, Slip Washer and Rubber Gasket from the Grid Strainer.

Apply plumber's putty to underside of Grid Strainer flange.

From top of sink, insert Grid Strainer through drain hole of sink.

From beneath sink, install Rubber Gasket (bevel side up), Slip Washer and Flange Nut. Tighten Flange Nut securely.



**Figure 1**

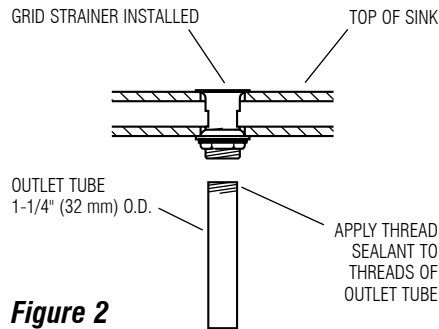
**Step 2 — Determine Length of Outlet Tube  
(Figures 2 and 3)**

From beneath sink, align Outlet Tube with Trap to determine if Outlet Tube needs to be cut. If so, mark Outlet Tube for an approximate 2 inches (51 mm) of engagement into the Trap when installed.

**Note:** Outlet Tube is 1-1/4" (32 mm) O.D.

Unscrew Outlet Tube from Grid Strainer and cut Outlet Tube to size. Remove any rough edges from where tube was cut.

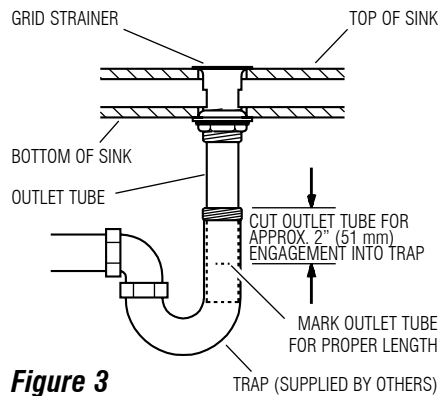
Apply thread sealant to Outlet Tube and reinstall into Grid Strainer.



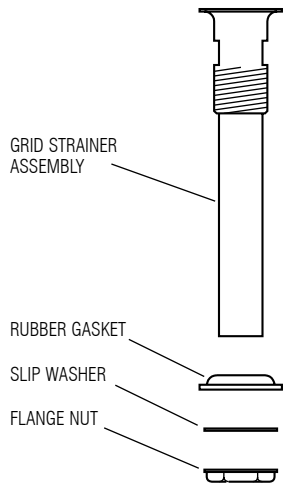
**Figure 2**

**Note: Outlet Tube must be removed and thread sealant applied to threads even if cutting the tube is not necessary.**

Refer to the OPTIMA Faucet Installation Instructions to complete faucet installation.



**Figure 3**



**PARTS LIST  
ETF-460-A  
CODE # 0365036  
GRID STRAINER**



**NOTICE:** The information contained in this document is subject to change.

**LIMITED WARRANTY**

Sloan Valve Company warrants its products to be made of first class materials, free from defects of material or workmanship under normal use and to perform the service for which they are intended in a thoroughly reliable and efficient manner when properly installed and serviced, for a period of one year (Hand Dryers: 5 years) from date of purchase. During this period, Sloan Valve Company will, at its option, repair or replace any part or parts which prove to be thus defective if returned to Sloan Valve Company, at customer's cost, and this shall be the sole remedy available under this warranty. No claims will be allowed for labor, transportation or other incidental costs. This warranty extends only to persons or organizations who purchase Sloan Valve Company's products directly from Sloan Valve Company for purpose of resale.

**THERE ARE NO WARRANTIES WHICH EXTEND BEYOND THE DESCRIPTION ON THE FACE HEREOF. IN NO EVENT IS SLOAN VALVE COMPANY RESPONSIBLE FOR ANY CONSEQUENTIAL DAMAGES OF ANY MEASURE WHATSOEVER.**