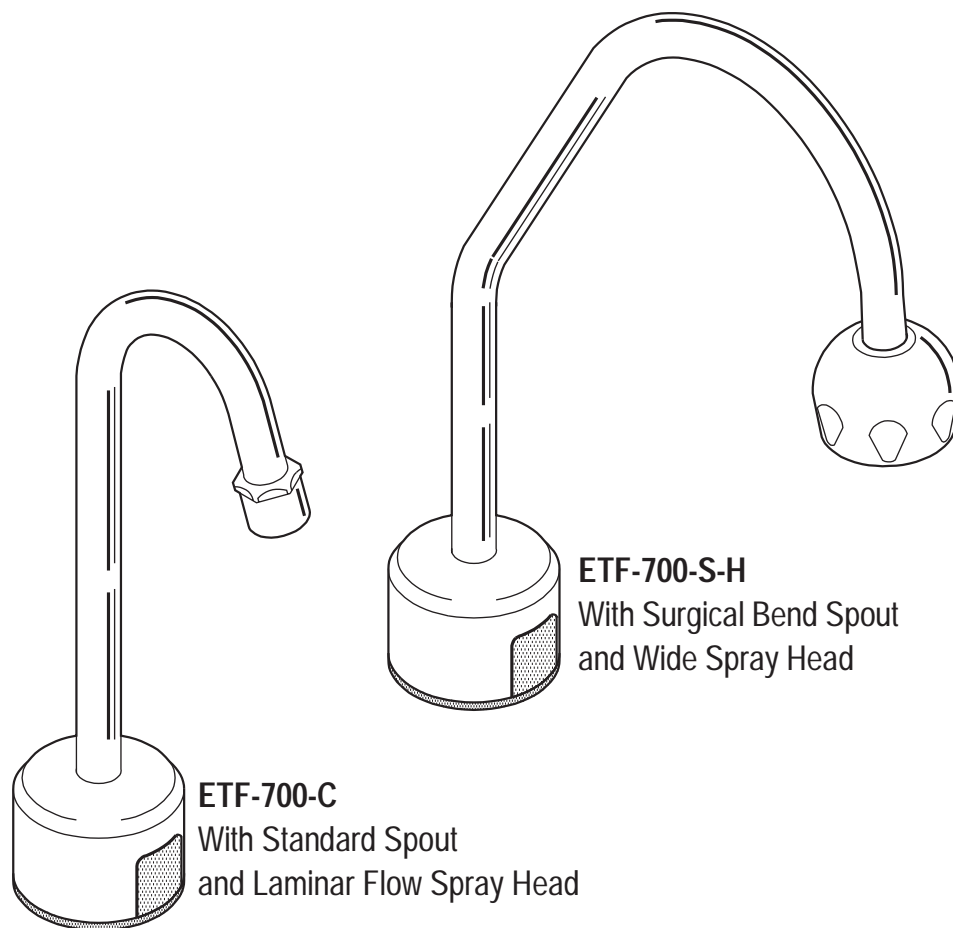


SLOAN®

INSTALLATION INSTRUCTIONS OPTIMA™ SYSTEMS SENSOR OPERATED HAND WASHING FAUCETS



ETF-700-C
With Standard Spout
and Laminar Flow Spray Head

ETF-700-S-H
With Surgical Bend Spout
and Wide Spray Head

ETF-700 Series
Deck-Mounted
Sensor Operated
Gooseneck Faucets

Includes Instructions for
Installation of Optional Back
Checks

Made in the U.S.A.
ANSI/ASME A112.18.1M



Installation of the Sloan OPTIMA™ Series Faucets makes scrub or wash-up sinks totally "hands-free" providing the ultimate in sanitary protection and automatic operation. The OPTIMA Series faucet uses infrared technology to sense the user's presence and turn on a water supply that has been pre-mixed to the desired water temperature. When the user's hands are removed from the invisible beam of light, the water supply automatically turns off.

The unique modular plug-in system is designed for ease of installation on new as well as retrofit applications. Sloan ETF-700 sensor operated faucets come complete with an integral faucet and sensor assembly, 24 VAC transformer,

solenoid valve, plug-in connection box (control module) and all mounting hardware. Also available are back checks, a grid strainer and a mixing valve which can be supplied as optional equipment. 3/8 inch copper supply tube to be supplied by the installer.

The following instructions will serve as a guide when installing the Sloan OPTIMA Series faucet. As always, good safety practices and care are recommended when installing your new faucet. If further assistance is required, contact your nearest Sloan Representative office.

LIMITED WARRANTY

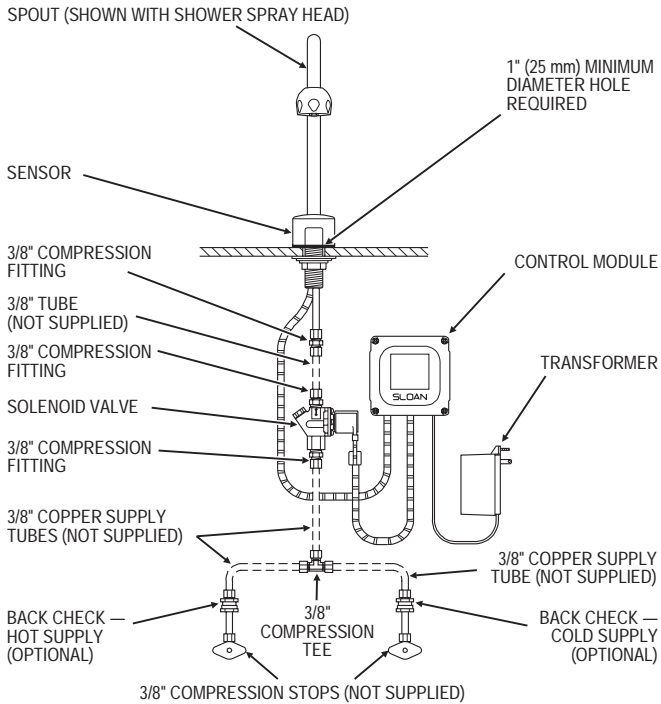
Sloan Valve Company warrants its ETF-700 Series Faucets to be made of first class materials, free from defects of material or workmanship under normal use and to perform the service for which they are intended in a thoroughly reliable and efficient manner when properly installed and serviced, for a period of three years (1 year for special finishes) from date of purchase. During this period, Sloan Valve Company will, at its option, repair or replace any part or parts which prove to be thus defective if returned to Sloan Valve Company, at customer's cost, and this shall be the sole remedy available under this warranty. No claims will be allowed for labor, transportation or other incidental costs. This warranty extends only to persons or organizations who purchase Sloan Valve Company's products directly from Sloan Valve Company for purpose of resale.

THERE ARE NO WARRANTIES WHICH EXTEND BEYOND THE DESCRIPTION ON THE FACE HEREOF. IN NO EVENT IS SLOAN VALVE COMPANY RESPONSIBLE FOR ANY CONSEQUENTIAL DAMAGES OF ANY MEASURE WHATSOEVER.

FAUCET ROUGH-IN — Figure 1

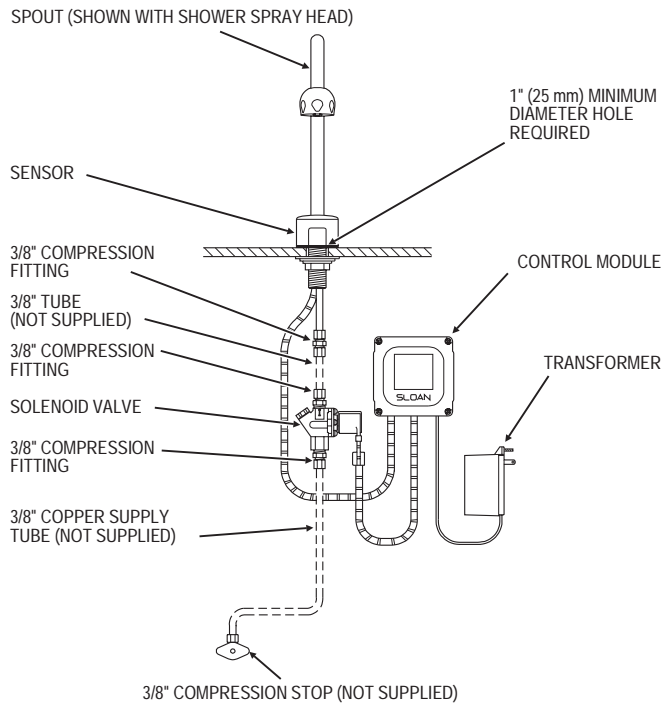
ETF-700 FAUCET WITH HOT AND COLD WATER SUPPLY

- MODEL ETF-700-A-2 — .5 gpm (1.9 Lpm) Max.
- MODEL ETF-700-B-2 — 2.2 gpm (8.3 Lpm) Max.
- MODEL ETF-700-C-2 — 2.2 gpm (8.3 Lpm) Max. — Laminar Flow
- MODEL ETF-700-H-2 — 2.2 gpm (8.3 Lpm) Max. — Shower Spray Head



ETF-700 FAUCET WITH SINGLE LINE WATER SUPPLY

- MODEL ETF-700-A — .5 gpm (1.9 Lpm) Max.
- MODEL ETF-700-B — 2.2 gpm (8.3 Lpm) Max.
- MODEL ETF-700-C — 2.2 gpm (8.3 Lpm) Max. — Laminar Flow
- MODEL ETF-700-H — 2.2 gpm (8.3 Lpm) Max. — Shower Spray Head



FAUCET SPOUT DIMENSIONS

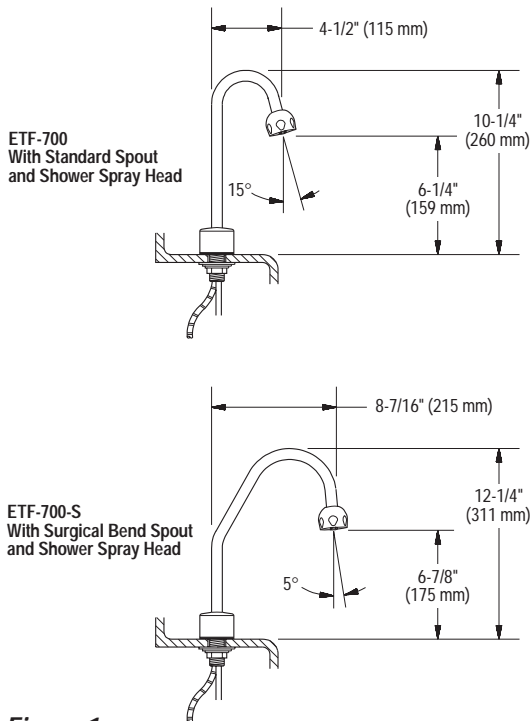


Figure 1

NOTE: THE WIDE SPRAY HEAD IS RECOMMENDED FOR USE ON SCRUB OR DEEP WASH-UP SINKS ONLY. FOR LAVATORIES AND SMALL BASINS, USE THE LAMINAR FLOW SPRAY HEAD.

PRIOR TO INSTALLATION

Prior to installing the Sloan OPTIMA Series Faucet, install the items listed below. Also, refer to Figure 1.

- **When Using Plug-In Transformer** — Install electrical receptacle for plug-in transformer — 120 VAC, 2 amp service for each ETF-233 (24 VAC, 35 VA) plug-in transformer used.
- **When Using Box Mount Transformer** — Install electrical wiring to the transformer location — 120 VAC, 2 amp service for each EL-248-40 (24 VAC, 40 VA) transformer used.
- Scrub or wash-up sink
- Drain line
- Hot and cold water supply lines or tempered water supply line

Multiple Faucets

Multiple faucets can be powered by a single transformer, provided that the transformer has been properly sized. Allow a minimum of 15 VA of current rating for each solenoid valve used. See "Step 5 — Transformer" for further information.

Mixing Valve

When installing the faucet with the Sloan MIX-25-A or MIX-30-A mixing valve, these Installation Instructions AND the Installation Instructions packaged with the mixing valve MUST be followed.

Important:

- **ALL ELECTRICAL WIRING IS TO BE INSTALLED IN ACCORDANCE WITH NATIONAL/LOCAL CODES AND REGULATIONS.**
- **ALL PLUMBING IS TO BE INSTALLED IN ACCORDANCE WITH APPLICABLE CODES AND REGULATIONS.**
- **A 24 VAC STEP-DOWN TRANSFORMER MUST BE USED.**
- **USE APPROPRIATE PRECAUTIONS WHILE CONNECTING TRANSFORMER TO 120 VAC POWER SOURCE.**

- **DO NOT PLUG TRANSFORMER INTO POWER SOURCE (RECEPTACLE) UNTIL ALL WIRING IS COMPLETED. ALLOWING 24 VAC TRANSFORMER WIRES TO TOUCH OR SHORT WHILE POWER IS BEING SUPPLIED WILL CAUSE PERMANENT DAMAGE TO THE TRANSFORMER AND CIRCUIT CONTROL MODULE.**
- **FLUSH ALL WATER LINES UNTIL WATER IS CLEAR BEFORE CONNECTING SOLENOID TO SUPPLY STOPS.**

TOOLS REQUIRED FOR INSTALLATION OF FAUCETS

- Open end wrenches for hex sizes (inches): 1-3/16, 15/16, 11/16, 5/8, 1/2
- Basin wrench
- Slotted screwdriver (supplied)
- Pliers
- Slotted screwdriver, 3/16"
- Phillips head screwdriver, #2
- Wire stripper/crimping tool

INSTALLATION OF ETF-700 FAUCET

The Sloan OPTIMA ETF-700 Sensor Operated Gooseneck Faucet is a pre-tempered faucet. A pre-tempered water supply line or a mixing valve (ordered separately or supplied by others) must be used in conjunction with the faucet. When connecting the faucet to a hot and cold water supply, it is recommended that two back checks be installed as shown in Figure 1. When connecting the faucet to a single line water supply or a pre-tempered water supply, a back check is not required.

Back checks are required if the faucet is being installed with a Sloan MIX-25-A or MIX-30-A mixing valve.

Flow Rate

The ETF-700-H faucet with a shower spray head incorporates a 2.2 gpm (8.3 Lpm) maximum flow control. If water flow is too forceful, reduce flow to faucet by adjusting control stops. If a pressure reducing valve has been installed, adjust valve until optimum spray is obtained. Best performance is obtained between 25-40 psi.

Step 1 — Install Back Checks (Option) (Figure 2)

The Sloan Back Check is designed to install on a 3/8" Compression Stop. If the existing Stop is different, the Stop may require replacement or additional fittings, not supplied by Sloan, to connect the Back Checks to the hot and cold water supply lines.

After flushing the water supply lines through the Stops, use a compression nut and compression sleeve to connect inlet end of Back Check to the Supply Stop. Tighten Securely.

Note: Failure to install the Back Checks can result in a cross flow connection when the faucet is in the off position and the supply stops are open. This can cause a migration of hot water into the cold water supply, or cold water into the hot water supply, if the pressure between the two lines is slightly different. Most plumbing codes require that the Back Checks be used to prevent this occurrence.

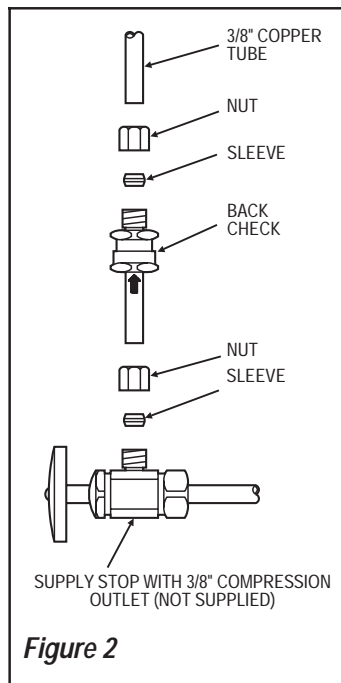


Figure 2

Step 2 — Install Faucet Assembly (Figure 3)

Note: If installing with the MIX-30-A Mixing Valve, install Mixing Valve and Trim Plate prior to installing Faucet. Refer to the "Installation Instructions for MIX-25-A and MIX-30-A Mixing Valves" supplied with the Sloan mixing valve.

If optional Trim Plate is used, place Spacer between deck and Trim Plate making certain that Spacer is aligned with hole in Trim Plate and hole in deck.

Insert Faucet Cable and Spout Shank through Rubber Washer and then through center deck hole. Secure using the Flat Washer, Lockwasher and Nut supplied.

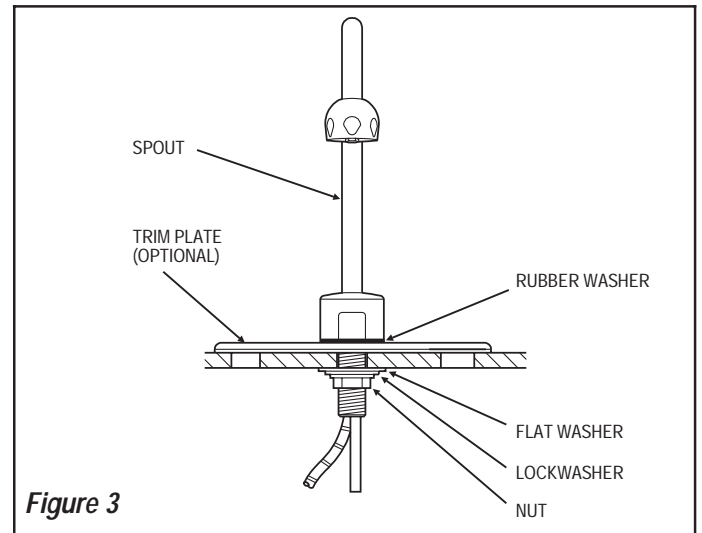


Figure 3

Step 3 — Install Solenoid Valve (Figures 4 and 5)

Apply thread sealant or Teflon tape to threads of 3/8 inch Compression Fittings. Install 3/8 inch Compression Fitting to inlet and outlet side of Solenoid Valve.

Note: Flow direction of Solenoid Valve is indicated by an arrow on Valve Body.

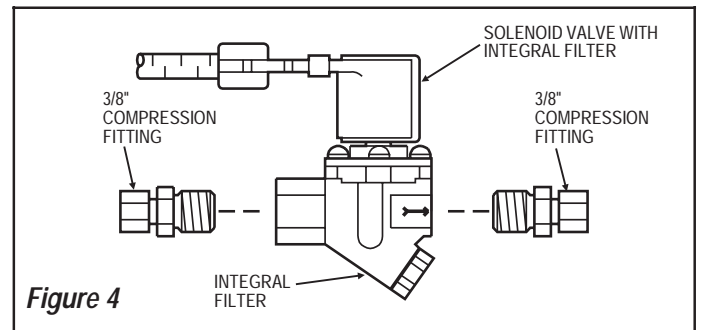


Figure 4

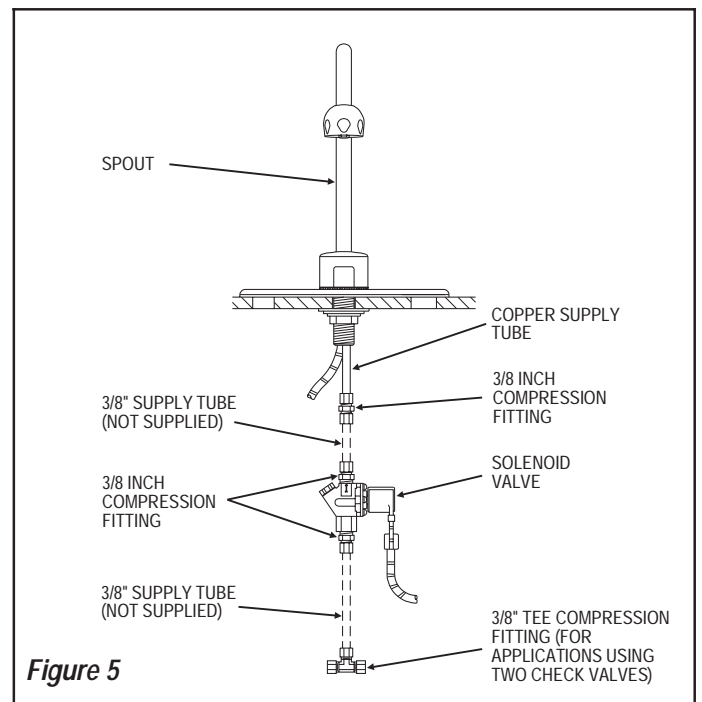


Figure 5

Important: When applying any form of sealant to fitting threads, leave the first two starter threads free of sealant to prevent the possibility of sealant entering into the waterway and damaging system components.

Install the 3/8 inch Straight Compression Fitting onto the Spout's copper Supply Tube (refer to Figure 5).

Connect 3/8 inch O.D. supply tube (supplied) between Compression Fitting on Solenoid Valve and Compression Fitting on Spout's copper Supply Tube.

Important: DO NOT install solenoid valve so that the solenoid coil is facing down. The solenoid valve may be oriented so that the solenoid coil faces sideways (vertically); however, optimum performance is obtained when solenoid valve is in the horizontal position with the solenoid coil facing up as shown in Figure 4.

Step 4 — Connect Supply Line(s) (Figure 1)

Note: If installing the Sloan mixing valve, refer to the "Installation Instructions for MIX-25-A and MIX-30-A Mixing Valves" supplied with the Sloan mixing valve.

Flush supply line(s) of any debris.

FOR HOT AND COLD WATER SUPPLY APPLICATIONS

When connecting the Faucet to a hot and cold water supply, two Back Checks are required as shown in Figure 1.

Insert tube end of Back Checks into 3/8 inch Compression Fitting of hot and cold Supply Stops. (Supply Stops furnished by installer.) Tighten Compression Fittings securely.

Install a 3/8 inch copper Supply Tube between each Back Check and the Compression Tee Fitting supplied (refer to Figure 1).

Install a 3/8 inch copper Supply Tube between Compression Tee Fitting and inlet side of Solenoid Valve.

FOR SINGLE LINE WATER SUPPLY APPLICATIONS

When connecting the Faucet to a single line water supply or a pre-tempered water supply, a Back Check is not required.

Install a 3/8" copper Supply Tube between the Supply Stop and inlet side of Solenoid Valve. (Supply Stops furnished by installer.)

Refer to Figure 1 — Faucet Rough-In for Additional Information.

Step 5 — Transformer

Multiple Faucets

Multiple faucets can be powered by a single transformer, provided that the transformer has been properly sized. Allow a minimum of 15 VA of current rating for each solenoid valve used. Refer to the following example to determine the required current rating for 3 OPTIMA faucets.

Example:

Total number of OPTIMA faucets	3
Total number of solenoid valves	3
Multiply by current rating	15 VA
Minimum current rating of required transformer	45 VA

Transformers Supplied with the ETF-700 Faucets

Standard Plug-In *	ETF-233	120 VAC	35 VA
Standard Box Mount	EL-248-40	120 VAC	40 VA

* In Canada, use ETF-416 (120 VAC, 35 VA).

Optional Transformers Available from Sloan

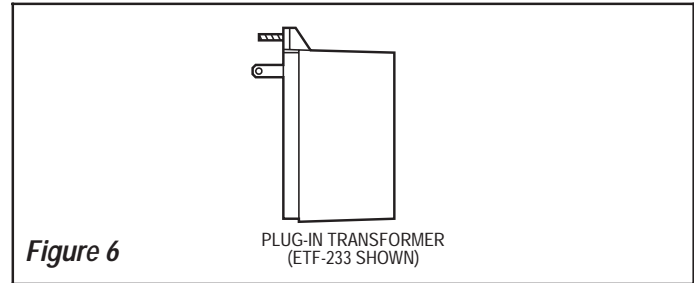
Box Mount	EL-154	120 VAC	50 VA
Foot Mount	EL-208	120 VAC	100 VA
Box Mount	EL-342	240 VAC	50 VA

All Sloan transformers are 50/60 Hz.

Other transformers may be used (not supplied by Sloan) provided they meet UL requirements for Class 2 transformers.

PLUG-IN TRANSFORMER (Figures 6, 7 and 8)

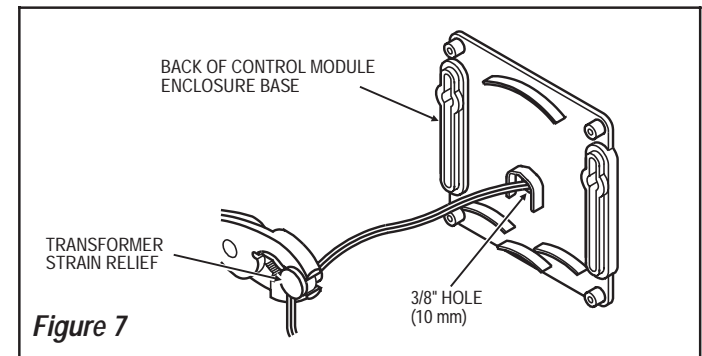
Important: DO NOT plug Transformer into receptacle until all wiring has been completed.



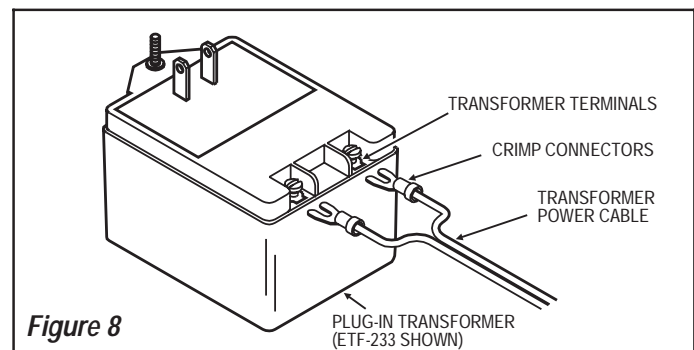
This type of Transformer is designed to be plugged into a 120 VAC wall receptacle. The Transformer is supplied with a 10 foot Cable; however, this Cable can and should be shortened to meet installation requirements.

Separate and strip one end of Transformer Power Cable approximately 3/16 to 1/4 inch (5 to 6 mm). Install Transformer Strain Relief 3 inches (76 mm) from stripped end of Power Cable. Squeeze Strain Relief with a pliers and insert Power Cable and Strain Relief into 3/8 inch (10 mm) hole at back of Control Module as shown in Figure 7. Always install right angle Strain Relief so that Power Cable enters the Control Module from the bottom. Connect Power Cable to Terminal Block on Connector Board as shown in Figure 10.

Important: Twist stranded ends of Power Cable before inserting into Terminal Block. Fraying of Stranded Power Cable Wire can cause a short and damage the Control Module and Transformer when powered.



Install Crimp Connectors to opposite end of Transformer Power Cable and connect Power Cable ends to Transformer Terminals as shown in Figure 8.



BOX MOUNT TRANSFORMER (Figure 9)

Important: DO NOT supply power to primary side of Transformer until all wiring has been completed.

This type of Transformer is designed to be mounted on a metal electrical junction box (supplied by others). ("J" box should be mounted inside chase wall or above ceiling.) Install Transformer within 50 feet (15.24 meters) of Faucet. 18 gauge wire is recommended.

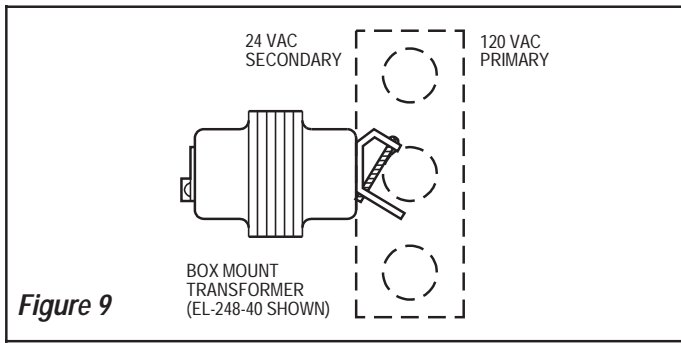


Figure 9

Run wires from secondary side of Transformer to 3/8 inch (10 mm) hole at back of Control Module Enclosure. If necessary, wires can be run through wall and inserted through hole in back of Control Module Enclosure.

Step 6 — Mount Control Module to Wall (Figures 1 and 10)

Install the Control Module in an appropriate location as shown in Figure 1. Control Module must be installed so that all cables enter from the bottom of the unit. When installed, Cables from the Sensor and Solenoid Valve to the Control Module should have some slack.

Mount Control Module to wall using Mounting Screws and Plastic Anchors.

EXTENSION CABLES

Extension Cables are available as an option from Sloan to allow for installing the Control Module remote from the Sensor and Solenoid Valve. Cables can be supplied in 3 foot (.9 meter), 6 foot (1.8 meter) and 9 foot (2.7 meter) lengths.

Step 7 — Control Module Connection (Figures 10 thru 12)

Route Cables from Solenoid Valve and Spout to the location where Control Module is mounted (usually centered between Spout and Solenoid Valve to ensure enough slack in all Cables).

Insert Solenoid Valve Connector into a Modular Receptacle on Connector Board. Solenoid Receptacles are interchangeable allowing Connectors to be inserted into either Receptacle. Insert Locking Connector from Spout into mating Receptacle on Connector Board. Allow 3 to 4 inches (76 to 102 mm) of Cable to extend into the Control Module.

Insert each Conduit Cable into a strain relief slot in the Control Module.

Refer to Figure 1 – Faucet Rough-In for additional information.

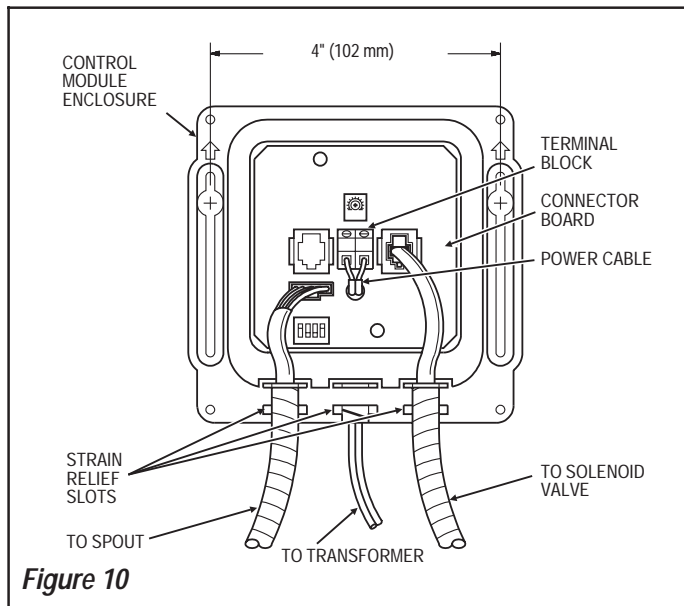


Figure 10

Step 8 — Start-Up

Supply power to transformer.

Note: The Control Module is equipped with two LED lights. When the Board is being powered by the Transformer, one LED will illuminate green. When the

Sensor is activated, this LED will change to red. A second red LED illuminates when the Solenoid Valve is activated. Refer to Figure 11.

Open Supply Stops. With Spray Head removed, activate Faucet for 30 seconds by placing hands in front of Sensor. The Solenoid Valve should “click” and water should flow from the Spout. If this does not occur, refer to the Troubleshooting section of this instruction manual.

Close Supply Stops and install Spray Head in Spout and tighten securely. Reopen Supply Stops, activate Faucet and check for leaks.

Step 9 — Range Adjustment

The OPTIMA Series Faucet is factory set to operate at a range of 8 to 10 inches (203 to 254 mm). This range should be satisfactory for most installations.

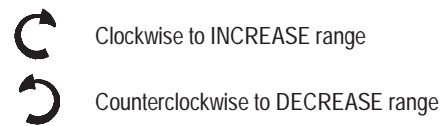
If range adjustment is required, refer to the following range adjustment procedures.

TO MAKE A RANGE ADJUSTMENT

The Range Potentiometer and Dip Switches are located in the Control Module as shown in Figure 11.

Important: Range Potentiometer adjustment screw rotates only 3/4 of a turn; DO NOT over-rotate.

Make certain that Dip Switch number 4 is in the DOWN position. Using the small screwdriver provided, turn the potentiometer a few degrees:



Place hand in front of Sensor and move toward Sensor until “click” from Solenoid Valve is heard and water turns on.

Determine range by backing hand away from Sensor until water turns off.

Cycle Faucet several times to assure that range as adjusted will not inadvertently pick up IR reflection off the edge of the sink. If IR reflection occurs (green LED will flicker red), adjust Range Potentiometer counterclockwise very slightly and again cycle Faucet.

Repeat adjustment procedure until desired range is obtained.

Note: Sensitivity can be reduced by switching Dip Switch number 4 to the ON (UP) position.

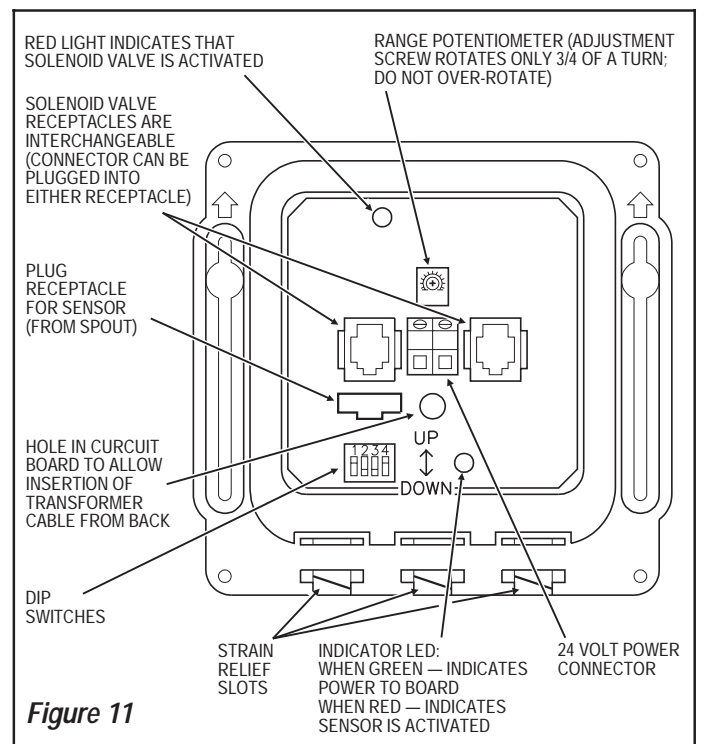


Figure 11

Time Out Adjustment

The Faucet Time Out Setting determines the maximum time the Faucet will run upon continuous activation. This timing can be changed to meet individual application requirements.

Refer to label on cover of Control Module along with the following instructions to set the desired Time Out. The Dip Switches used to set the Time Out are located in the Control Module as shown in Figure 11.

Set the Time Out by configuring the number 1, 2 and 3 Dip Switches as follows:

Table 1 — Time Out Settings

Time Out	Dip Switch Setting		
	Switch # 1	Switch # 2	Switch # 3
3 SECONDS	UP	UP	DOWN
6 SECONDS	DOWN	DOWN	UP
12 SECONDS	UP	DOWN	UP
30 SECONDS	UP	DOWN	DOWN
45 SECONDS	UP	UP	UP
1 MINUTE	DOWN	UP	UP
3 MINUTES	DOWN	DOWN	DOWN
20 MINUTES	DOWN	UP	DOWN

Unless otherwise specified, all ETF-700 Faucets leave the factory set with a 30 second Time Out.

Note: The position of Dip Switch number 4 (range enhancer setting) does not affect Faucet Time Outs.

Push Cables into slots at the bottom of the Circuit Box.

Install Control Module cover using Screws provided (Figure 12).

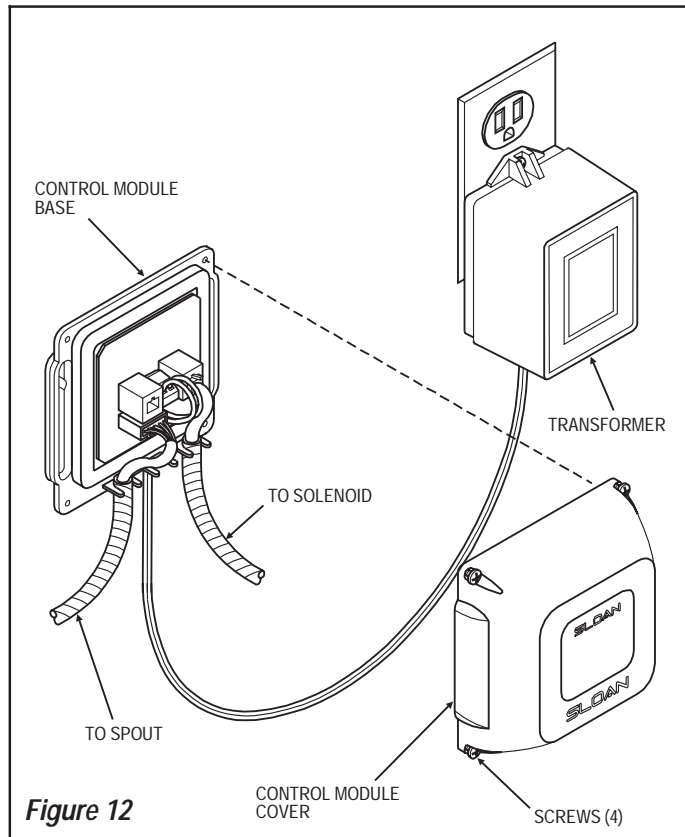
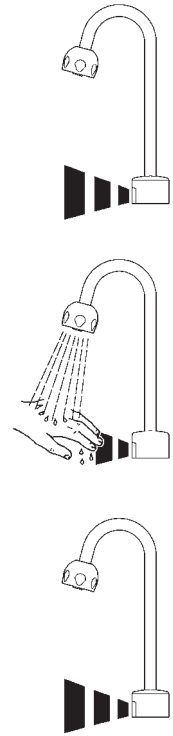


Figure 12

OPERATION

1. A continuous invisible beam of infrared light is emitted from the OPTIMA sensor.
2. As the user's hands enter the beam's effective range, 8 to 10 inches (203 to 254 mm), the beam is reflected back into the sensor receiver and activates the solenoid valve allowing tempered water to flow from the faucet into the sink. Water will flow until the hands are removed or until the faucet reaches its automatic time out limit setting.
3. When hands are moved away from the OPTIMA sensor, the loss of reflected light initiates an electrical signal that deactivates the solenoid valve, shutting off the water flow. The circuit then automatically resets and is ready for the next user.



CARE AND CLEANING OF CHROME AND SPECIAL FINISHES

DO NOT use abrasive or chemical cleaners (including chlorine bleach) to clean faucets as they may dull the luster and attack the chrome or special decorative finishes. Use ONLY soap and water, then wipe dry with clean cloth or towel.

While cleaning the bathroom tile, the faucet should be protected from any splattering of cleaner. Acids and cleaning fluids will discolor or remove chrome plating.

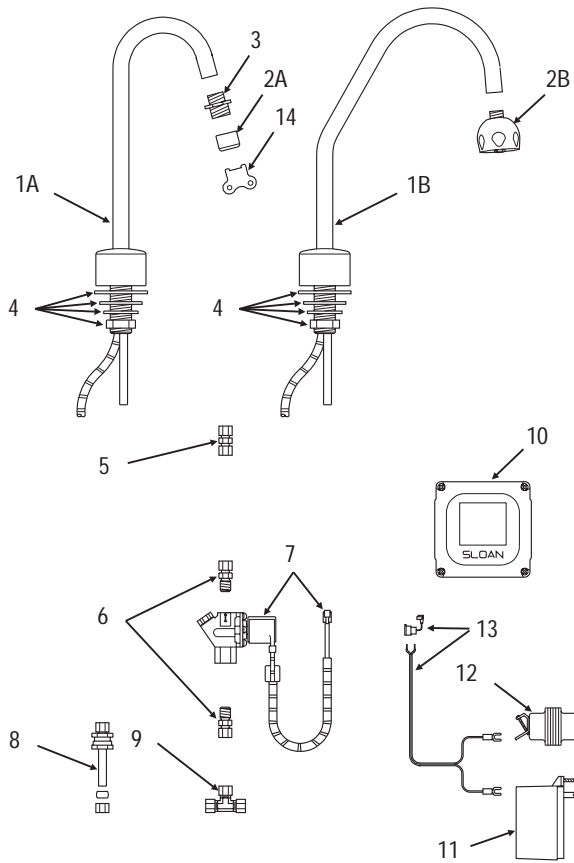
TROUBLESHOOTING GUIDE

PROBLEM	POSSIBLE CAUSE/SOLUTION
No Water when Activated Open control module and check diagnostic lights.	<ul style="list-style-type: none">• If no lights are illuminated:<ol style="list-style-type: none">1. Make certain that main power is on. Check receptacle, transformer, solenoid, leads and connections.2. Control module circuit board is faulty; replace.• If green LED is illuminated and turns red when hands are placed under faucet:<ol style="list-style-type: none">1. Check supply stop(s); open if closed.2. Debris in filter; remove, clean and reinstall.• If green/red LED is red and red LED does not illuminate:<ol style="list-style-type: none">1. Sensor range too long; picking up sink. Reduce range.2. Sensor is faulty; replace sensor module.• If green LED is illuminated and does not turn red when hands are placed under faucet:<ol style="list-style-type: none">1. Range too short; increase range.2. Sensor is faulty; replace sensor module.
Very Low Flow or Slow Dribble	<ul style="list-style-type: none">• Check supply stop(s); open if closed.• Disassemble solenoid; clean and flush.• Debris in filter; remove, clean and reinstall.• Debris in aerator or spray head; remove, clean and reinstall.
False Triggering (Unit Goes On by Itself)	<ul style="list-style-type: none">• Range too long; decrease detection zone. Check surroundings for factors that can contribute to the range; for example, bright lights, highly reflective surfaces, sunlight, etc.
Continues to Run (Even After Power to Faucet Has Been Disconnected)	<ul style="list-style-type: none">• Solenoid valve installed backwards.• Debris in solenoid, won't close properly; remove operator and clean. Reassemble in the same manner.

If further assistance is required, please contact the Sloan Valve Company Installation/Engineering Department at 800/982-5830.

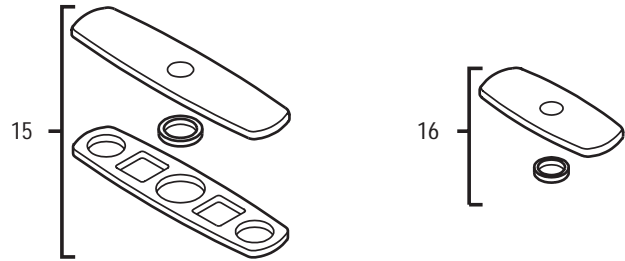
PARTS LIST

COMPONENTS SUPPLIED WITH FAUCET



Item No.	Part No.	Description
COMPONENTS SUPPLIED WITH FAUCET		
1A	ETF-472-A	Faucet/Sensor Assembly, Standard (ETF-700)
1B	ETF-473-A	Faucet/Sensor Assembly with Surgical Bend (ETF-700)
2A	ETF-234	Aerator, 0.5 gpm (1.9 Lpm)
	ETF-236	Aerator, 2.2 gpm (8.3 Lpm)
	ETF-237	Aerator, 2.2 gpm (8.3 Lpm) Laminar Flow
2B	AC-55-A	Shower Spray Head, 2.2 gpm (8.3 Lpm)
3	ETF-178	Adapter
4	ETF-503-A	Spout Mounting Kit , Includes: Rubber Washer Flat Washer Lockwasher Mounting Nut
5	ETF-530	3/8" x 3/8" Union
6	ETF-437-A	Assembly Kit, Includes: Compression Fittings (2) Compression Nut (1) Compression Sleeve (1)
7	ETF-370-A	Solenoid Valve, 24 VAC, Includes Wire Harness
8	ETF-470-A	Back Check (2 Supplied When Specified with Faucet)
9	ETF-259	Tee Compression Fitting
10	ETF-450-A	Control Module Assembly
11	ETF-233	Plug-In Transformer
12	EL-248-40	Box Mount Transformer

OPTIONAL TRIM PLATES



Item No.	Part No.	Description
COMPONENTS SUPPLIED WITH FAUCET (Continued)		
13	ETF-458-A	Power Cable with Strain Relief and Crimp Connectors (Transformer to Control Module)
14	ETF-435	Key

OPTIONAL TRIM PLATES

15	ETF-431-A	8" (203 mm) Trim Plate
16	ETF-312-A	4" (102 mm) Trim Plate

FAUCET CABLE EXTENSION CORDS

Spout to Control Module

ETF-1005-1	3 Foot (.9 meter) Length
ETF-1005-2	6 Foot (1.8 meter) Length
ETF-1005-3	9 Foot (2.7 meter) Length

Solenoid to Control Module

ETF-1003-1	3 Foot (.9 meter) Length
ETF-1003-2	6 Foot (1.8 meter) Length
ETF-1003-3	9 Foot (2.7 meter) Length

SOLENOID VALVE REPAIR KIT

(Includes Replacement Filter)
ETF-1009-A

NOTICE

The information contained in this document is subject to change without notice.