

## EBF-550



► **Description**  
Back Mounted, Battery Powered, Sensor Activated Electronic Gooseneck Hand Washing Faucet for tempered or hot/cold water operation.

► **Flow Rate**  
 2.2 gpm/8.3 Lpm Vandal Resistant Laminar Flow Spray Head  
For 2.2 gpm/8.3 Lpm Shower Spray Head, specify "H" variation  
(See **Accessories** for other Spray Head options)

► **Specifications**  
ADA Compliant, Battery Powered, Sensor Activated, Chrome Plated Brass Gooseneck Hand Washing Faucet with the following features:

- Splash-proof Circuit Control Module
- Sensor Range Adjustment Screw
- Low Battery LED Indicator Light
- User friendly Variable Time Out Settings
- Serviceable Filtered Solenoid Valve
- Bak-Chek<sup>®</sup> Tee for Hot/Cold Supply
- Vandal Resistant Spray Head with Pressure Compensating Flow Control
- Metal Jacketed Wire Protection for Sensor Lead
- Includes four (4) C-size Alkaline Batteries
- Appropriate Mounting Hardware included

► **Variations**  
(Add suffix to Model Number for inclusion with Faucet)

- **Spout and Spray Head Variations**
    - H** Shower Spray Head (2.2 gpm/8.3 Lpm)
    - S** Surgical Bend Spout
  - **Temperature Mixing Valves** (optional)
    - BDM** Below Deck Mechanical Mixing Valve
    - BDT** Below Deck Thermostatic Mixing Valve
- Bak-Chek<sup>®</sup> Tee not required or provided when a Temperature Mixing Valve is included with the faucet.

*Consult Factory for Finish Variations*

► **Accessories** (Specify separately)

- **Vandal Resistant Spray Head**
  - ETF-1022-A** 2.2 gpm/8.3 Lpm Aerator
- **Grid Strainer**
  - ETF-460-A** Chrome Plated Brass Grid Strainer w/1¼" Outlet Tube

See OPTIMA Accessories Section of the Sloan Catalog for a complete listing of OPTIMA Faucet Accessories and Variations.

► **ADA Compliant**

► **Automatic**  
The Sloan OPTIMA Plus<sup>®</sup> EBF-550 Battery Powered Gooseneck Hand Washing Faucet operates by means of an infrared sensor. Once the user's hands enter the sensor's effective range, the Solenoid activates the water flow. Tempered water flows from the Faucet until hands are moved away. The Faucet then automatically shuts off.

► **Hygienic**  
The ultimate in sanitary protection — there are no handles to turn or buttons to push. Helps to control the spread of infectious diseases. Ideal for high traffic commercial installations.

► **Economical**  
Automatic operation provides water usage savings over other faucet devices. Reduces maintenance and operation costs. Battery operation ideal for Retrofit installations.

► **Warranty**  
3 year (limited)

► **Made in the U.S.A.**

► **ASME A112.18.1M**



|  |                |
|--|----------------|
| This space for Architect/Engineer approval |                |
| Job Name _____                             | Date _____     |
| Model Specified _____                      | Quantity _____ |
| Variations Specified _____                 |                |
| Customer/Wholesaler _____                  |                |
| Contractor _____                           |                |
| Architect _____                            |                |

# EBF-550

## Description

Back Mounted, Battery Powered, Sensor Activated Electronic Gooseneck Hand Washing Faucet for tempered or hot/cold water operation.

## Flow Rate

□ 2.2 gpm/8.3 Lpm Vandal Resistant Laminar Flow Spray Head  
 For 2.2 gpm/8.3 Lpm Shower Spray Head, specify "H" variation  
 (See **Accessories** for other Spray Head options)

## ELECTRICAL SPECIFICATIONS

### Control Circuit

6 VDC — operates on four (4) alkaline C-size batteries.

### Battery Life

2 years at 8,000 cycles/month

### Indicator Lights

Range Adjustment/Low Battery

### Solenoid Valve

Low Energy Latching Solenoid with Self-cleaning Bypass and Integral Clean Out Strainer Filter.

### Optima® Sensor Range

Factory Set: 4" - 5" (102 mm - 127 mm)  
 Adjustable: 1" - 8" (25 mm - 203 mm)

### Time Out Adjustment Settings

30 seconds — The Faucet Time Out Setting determines the maximum time the faucet will run upon continuous detection. The EBF-550 is factory set at the 30 second time out. Consult factory for time out settings to meet individual application requirements.

► **Max. Distance Control Module may be Installed from Spout**  
 With Standard Cable: 15" (381 mm)

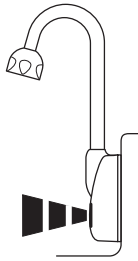
► **Extension Cable (Optional)**  
 EBF-203-A-16 16" (406 mm)

EBF-550-H-S  
Surgical Bend

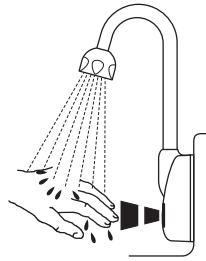


## OPERATION

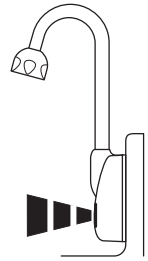
1. A continuous invisible beam of light is emitted from the OPTIMA® Sensor located at the base of the lavatory faucet.



2. As the user's hands enter the beam's effective range, the beam is reflected back into the sensor receiver and activates the solenoid valve allowing tempered water to flow from the faucet. Water will flow until the hands are removed or until the faucet reaches its automatic time out limit setting.

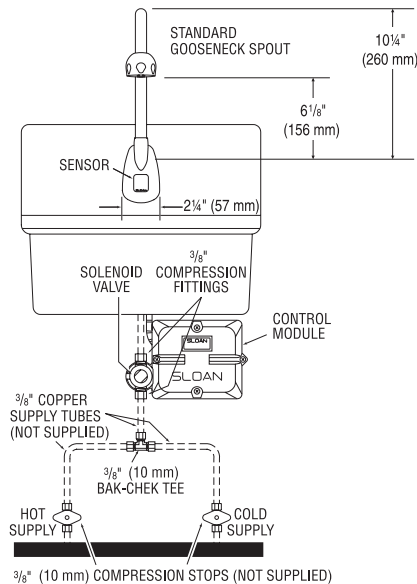


3. When hands are moved away from the OPTIMA® Sensor, the loss of reflected light initiates an electrical signal that deactivates the Solenoid Valve shutting off the water flow. The Circuit then automatically resets and is ready for the next user.

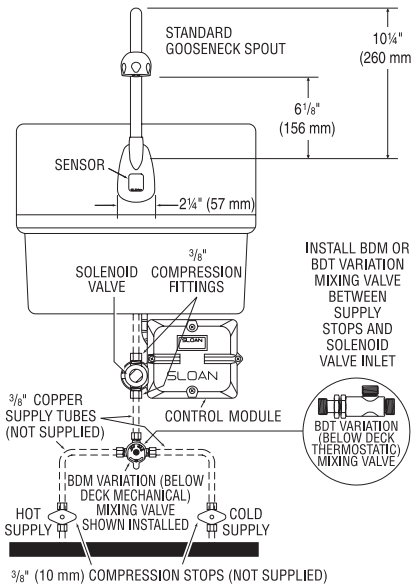


## ROUGH-IN

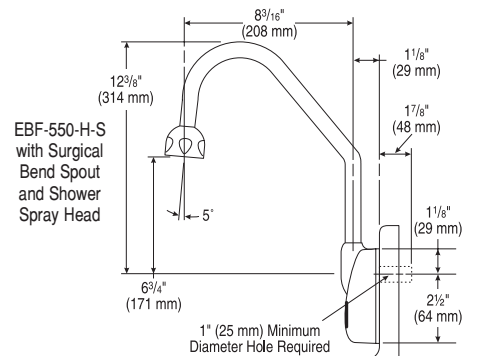
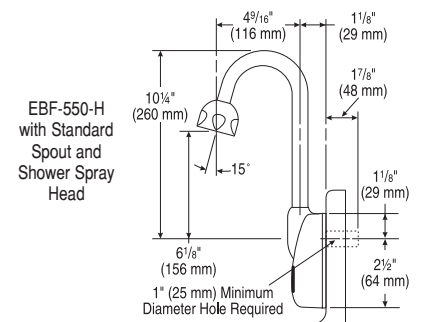
### EBF-550 Faucet with Bak-Chek® Tee for Hot and Cold Water Supply



### EBF-550 Faucet with BDM and BDT Variation Mixing Valves for Hot and Cold Water Supply



## Rough-in Dimensions (side view)



**SLOAN VALVE COMPANY • 10500 SEYMOUR AVENUE • FRANKLIN PARK, IL 60131**  
 Phone: 1-800-9-VALVE-9 or 1-847-671-4300 • Fax: 1-800-447-8329 or 1-847-671-4380 • <http://www.sloanvalve.com>