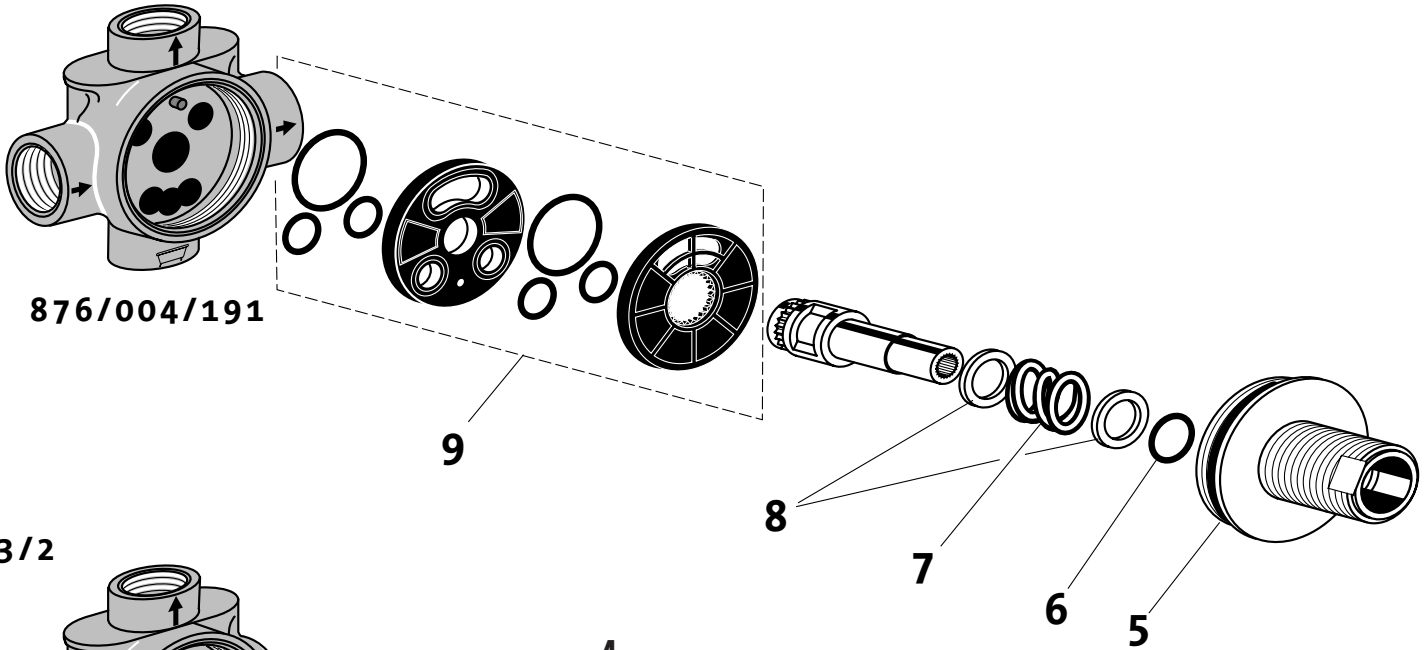
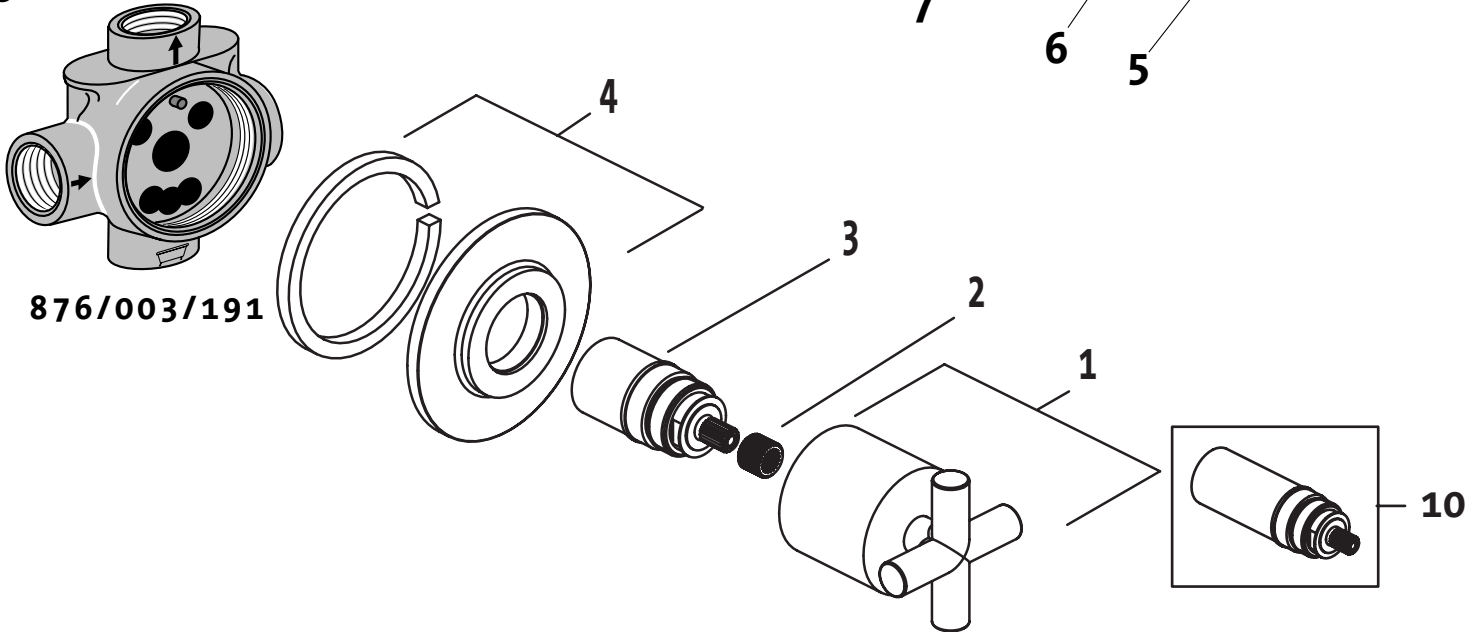


4/3



3/2



Replace "XXX" with the appropriate finish code:

Polished Chrome = 100, Ultra Steel = 355

Example Repair Part order:

H960914.100 in Polished Chrome
H960914.355 in Ultra Steel

Pos.	Description	Repair Part Number	Delivery quantity	Pos.	Description	Repair Part Number	Delivery quantity
1	Cross Handle Set	H960914.XXX	1 Set	6	O-Ring	A860851.191	1 Piece
2	Handle Adapter	H960913.191	1 Piece	7	Pressure Spring	A860850.191	1 Piece
3	Extension	H960835.XXX	1 Piece	8	Friction Flange	A860849.191	1 Piece
4	Rosette	H961694.XXX	1 Piece	9	Switch-over Element	A860848.191	1 Set
5	O-Ring	A860607.191	1 Piece	10	Extension Kit	H3990.XXX	1 Piece