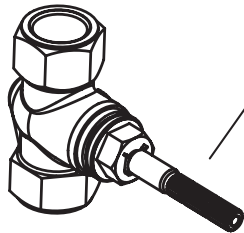
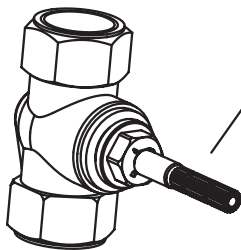


1/2" Wall Valve

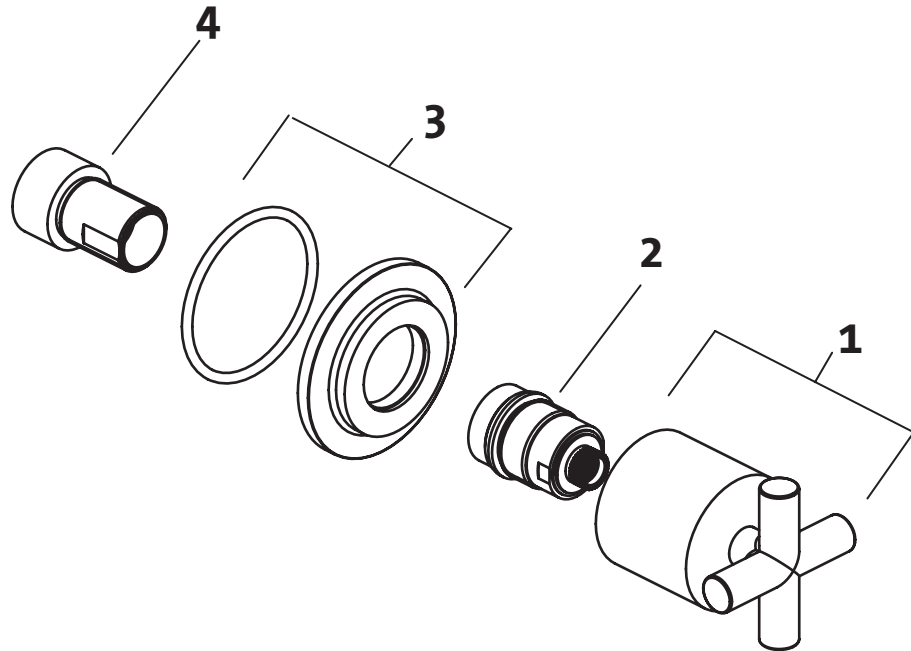
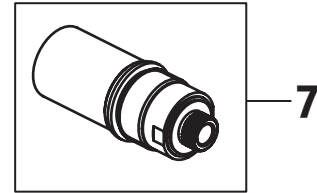


865/001/191

3/4" Wall Valve



865/101/191



Replace "XXX" with the appropriate finish code:

Polished Chrome = 100, Ultra Steel = 355

Example Repair Part order:

H960914.100 in Polished Chrome

H960914.355 in Ultra Steel

Pos.	Description	Repair Part Number	Delivery quantity	Pos.	Description	Repair Part Number	Delivery quantity
1	Cross Handle Set	H960914.XXX	1 Set	5	1/2" Cartridge	H960520.191	1 Piece
2	Extension	H960836.191	1 Piece	6	3/4" Cartridge	H960935.191	1 Piece
3	Rosette	H960859.XXX	1 Piece	7	Extension Kit	H960808.191	1 Piece
4	Extension Adapter	H960855.191	1 Piece				