



Features:

- Cast brass valve
- Controls On/Off and Volume functions for a single shower component in a shower system
- 1/2" and 3/4" NPT available

| Kit Options | Handle Type | Product Number |
|-----------------|-------------|----------------|
| 1/2" Wall Valve | Cross | 832/122 |
| 3/4" Wall Valve | Cross | 832/123 |

| Available Finishes: | Finish Code |
|---------------------|-------------|
| Polished Chrome | 100 |
| UltraSteel (PVD) | 355 |

| Rough & Trim Options | Handle Type | Product Number |
|------------------------------|-------------|----------------|
| Trim Only | Cross | 832/372 |
| Rough Only - 1/2" Wall Valve | | 865/001/191 |
| Rough Only - 3/4" Wall Valve | | 865/101/191 |

ROUGH-IN DIAGRAM SHOWN ON REVERSE SIDE

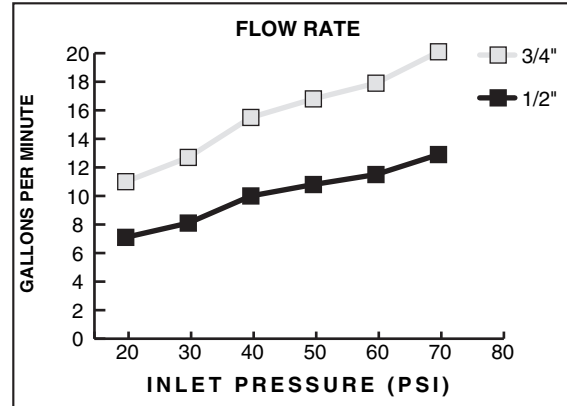
CODES & STANDARDS

These products meet and exceed the following codes and standards:

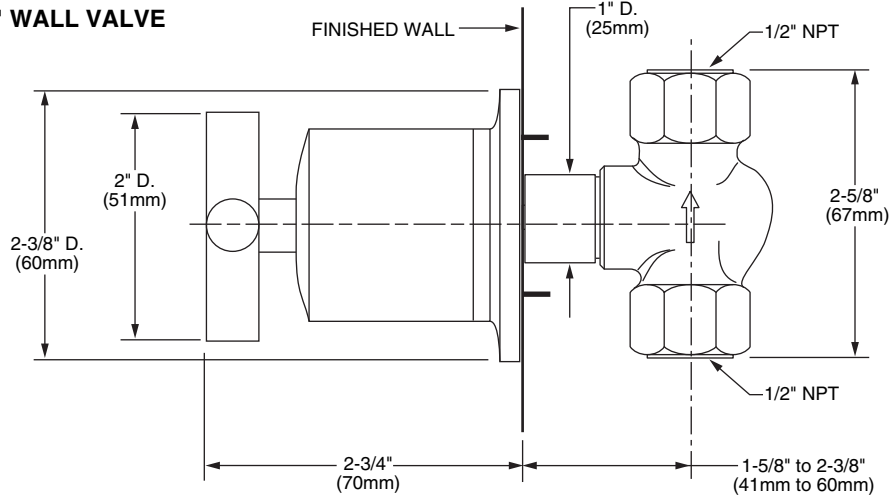
ASME A112.18.1

CSA B125

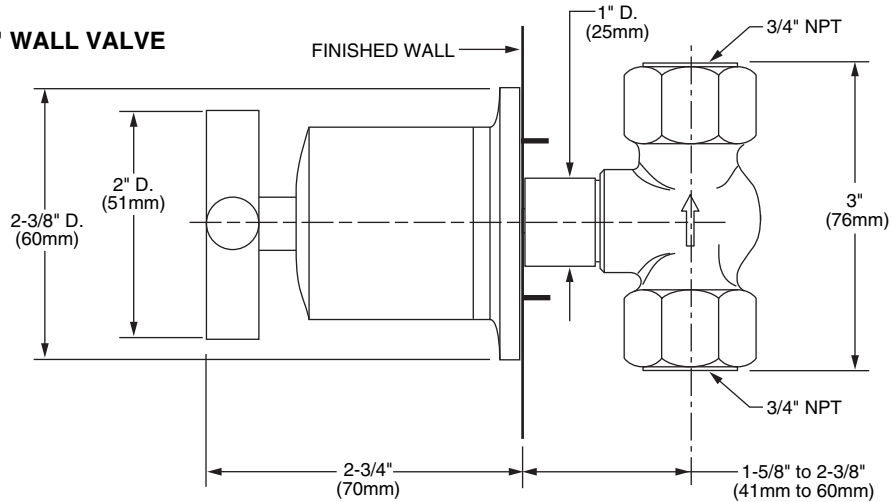
ASSE1016



1/2" WALL VALVE



3/4" WALL VALVE



IMPORTANT: These measurements are subject to change or cancellation. No responsibility is assumed for use of superseded or voided pages.