

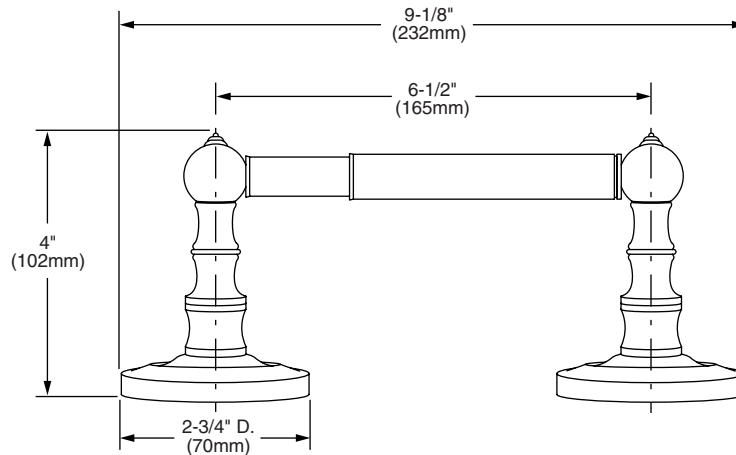
Features:

- Solid Brass Construction
- Concealed Mounting
- Metal Spool in Matching Finish



	Product Number
2-Post Tissue Holder	011/146

Available Finishes:	Finish Code
Polished Chrome	100
Polished Brass	101
Brushed Nickel	144



IMPORTANT: These measurements are subject to change or cancellation. No responsibility is assumed for use of superseded or voided pages.