

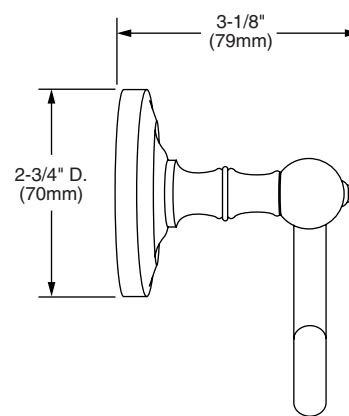
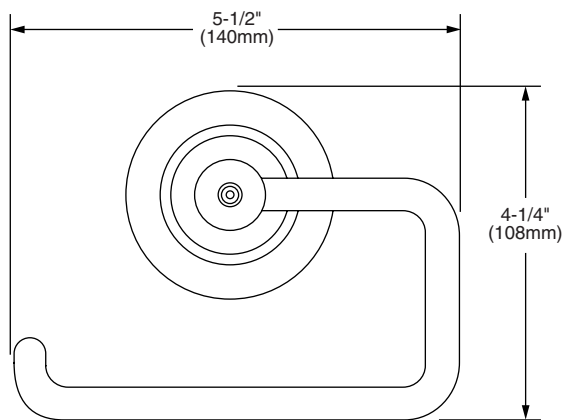
### Features:

- Solid Brass Construction
- Concealed Mounting



	Product Number
Tissue Holder	011/140

Available Finishes:	Finish Code
Polished Chrome	100
Polished Brass	101
Brushed Nickel	144



**IMPORTANT:** These measurements are subject to change or cancellation. No responsibility is assumed for use of superseded or voided pages.