



Features:

- Ceramic disc valve cartridge
- Cast brass construction
- Integral vacuum breaker with transfer valve
- Diverter controls water flow between douche spray and flushing rim
- Douche spray has built-in spray height adjustment
- Flexible Hose Connections for 8"-12" installations
- Includes 1-1/4" drain assembly
- Available with Cross or Lever Handles

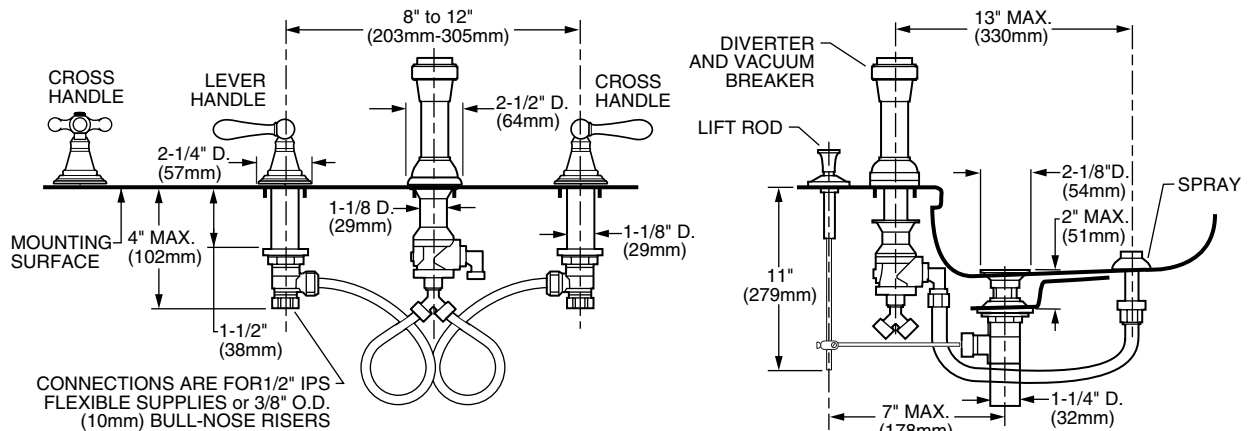
Pictured: 815/513 3-Hole Bidet Faucet with Lever Handles

Kit Options	Handle Type	Product Number
3-Hole Bidet Set	Cross	815/511
3-Hole Bidet Set	Lever	815/513



Available Finishes:	Finish Code
Polished Chrome	100
Polished Brass	101
Brushed Nickel	144

Separate Options	Handle Type	Product Number
Base Set - Less Handles		815/510
Handle Only - Hot	Cross	815/001
Handle Only - Cold	Cross	815/011
Handle Only	Lever	815/003



IMPORTANT: These measurements are subject to change or cancellation. No responsibility is assumed for use of superseded or voided pages.

CODES & STANDARDS

These products meet and exceed the following codes and standards:

ASME A112.18.1

CSA B125



Meets the American Disabilities Act Guidelines and **ANSI A117.1** Requirements for the physically challenged.