

Features:

- Alternates water flow between 2 or 3 discrete shower outlets
- 4/3 Port Diverter allows for 1 inlet and 3 outlets
- 3/2 Port Diverter allows for 1 inlet and 2 outlets
- 1/2" NPT inlets and outlets

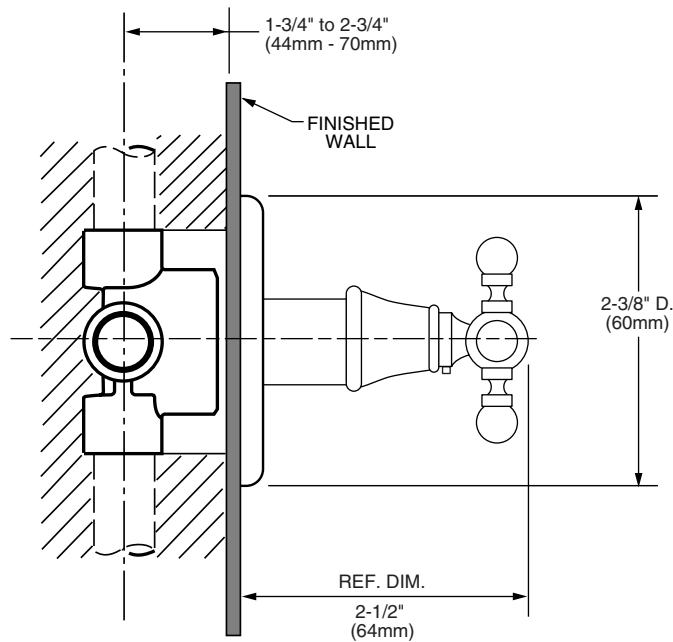


Pictured: 888/178 Diverter Valve

Kit Options	Handle Type	Product Number
3/2 Port Diverter Valve	Cross	888/177
4/3 Port Diverter Valve	Cross	888/178

Rough & Trim Options	Handle Type	Product Number
Trim Only	Cross	888/077
Rough Only - 3/2 Port Diverter		865/003/191
Rough Only - 4/3 Port Diverter		865/004/191

Available Finishes:	Finish Code
Polished Chrome	100
Brushed Nickel	144
Diamond (PVD)	167



IMPORTANT: These measurements are subject to change or cancellation. No responsibility is assumed for use of superseded or voided pages.

CODES & STANDARDS

These products meet and exceed the following codes and standards:

ASME A112.18.1

CSA B125

