



Features:

- Cast brass valve
- Controls On/Off and Volume functions for a single shower component in a shower system
- 1/2" and 3/4" NPT available
- Available in 8 Handle Options

Pictured: 865/009 1/2" Wall Valve with Cross Handle

Kit Options	Handle Type	Product Number
1/2" Wall Valve - Plain	Cross	865/009
1/2" Wall Valve - "Hot"	Cross	865/010
1/2" Wall Valve - "Cold"	Cross	865/111
1/2" Wall Valve	Straight Lever	865/112
1/2" Wall Valve - Left	Curved Lever	865/114
1/2" Wall Valve - Right	Curved Lever	865/116
1/2" Wall Valve	Porcelain Lever	865/029
1/2" Wall Valve	Crystal Lever	865/829
3/4" Wall Valve - Plain	Cross	865/109
3/4" Wall Valve - "Hot"	Cross	865/030
3/4" Wall Valve - "Cold"	Cross	865/031
3/4" Wall Valve	Straight Lever	865/032
3/4" Wall Valve - Left	Curved Lever	865/034
3/4" Wall Valve - Right	Curved Lever	865/035
3/4" Wall Valve	Porcelain Lever	865/039
3/4" Wall Valve	Crystal Lever	865/839

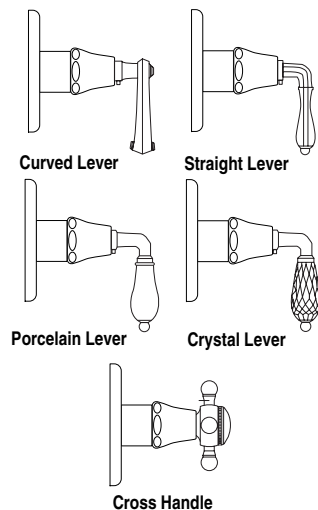


Rough & Trim Options	Handle Type	Product Number
Trim Only - Plain	Cross	865/708
Trim Only - "Hot"	Cross	865/710
Trim Only - "Cold"	Cross	865/711
Trim Only	Straight Lever	865/712
Trim Only - Left	Curved Lever	865/714
Trim Only - Right	Curved Lever	865/716
Trim Only	Porcelain Lever	865/729
Trim Only	Crystal Lever	865/819
Rough Only - 1/2" Wall Valve		865/001/191
Rough Only - 3/4" Wall Valve		865/101/191

Available Finishes:	Finish Code
Polished Chrome	100
Old Bronze	105
UltraBrass	113
Brushed Nickel	144
Platinum Nickel	150
Diamond (PVD)	167
Antique Nickel	444

Porcelain Finishes:	Finish Code
Brushed Nickel/White Porcelain	124
Polished Chrome/White Porcelain	128
Platinum Nickel/White Porcelain	152

Handle Options:




ROUGH-IN DIAGRAM SHOWN ON REVERSE SIDE

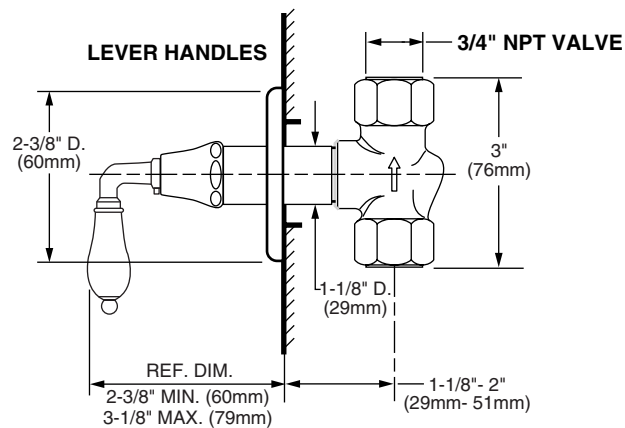
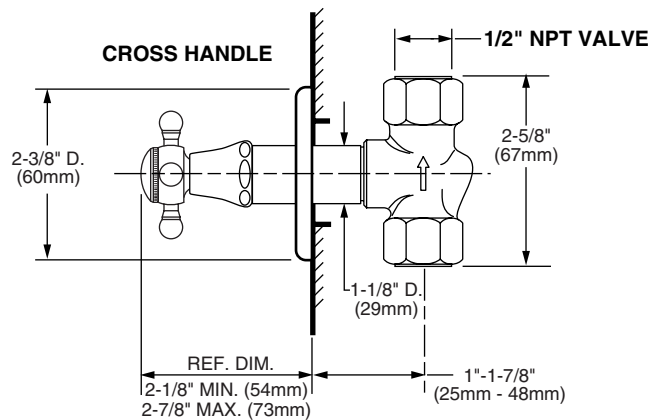
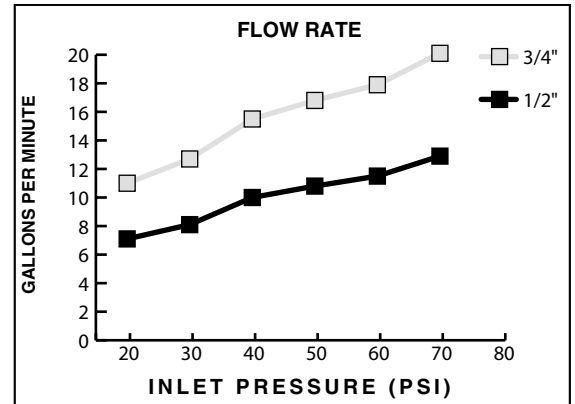
CODES & STANDARDS

These products meet and exceed the following codes and standards:

ASME A112.18.1

CSA B125

 Meets the American Disabilities Act Guidelines and **ANSI A117.1** Requirements for the physically challenged.



IMPORTANT: These measurements are subject to change or cancellation. No responsibility is assumed for use of superseded or voided pages.