



Pictured: 842/781 Mixing Valve Lever Handles

Maximum Temperature Limit: 112°F

Kit Options	Product Number
Hatteras 3/4" Thermostatic Mixing Valve - Cross Handle	842/780
Hatteras 3/4" Thermostatic Mixing Valve - Lever Handle	842/781



Rough & Trim Options	Product Number
Trim Only - Cross Handle	842/707
Trim Only - Lever Handle	842/708
Rough Only	875/614/191

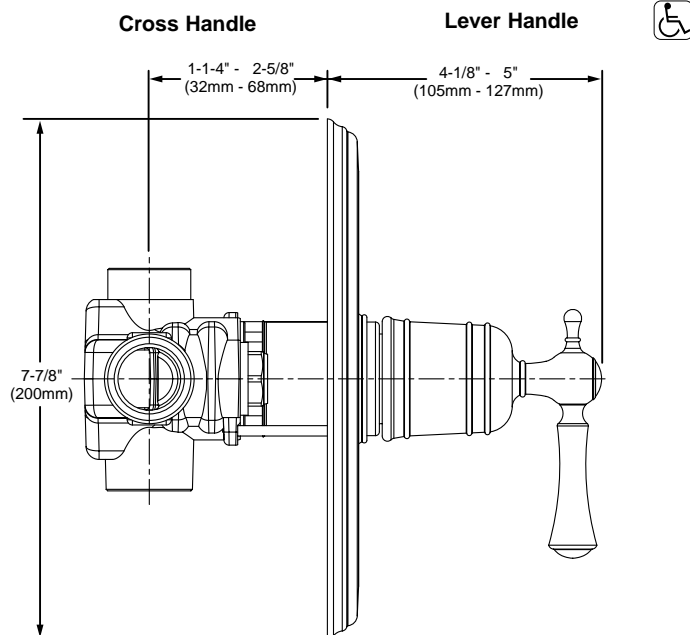
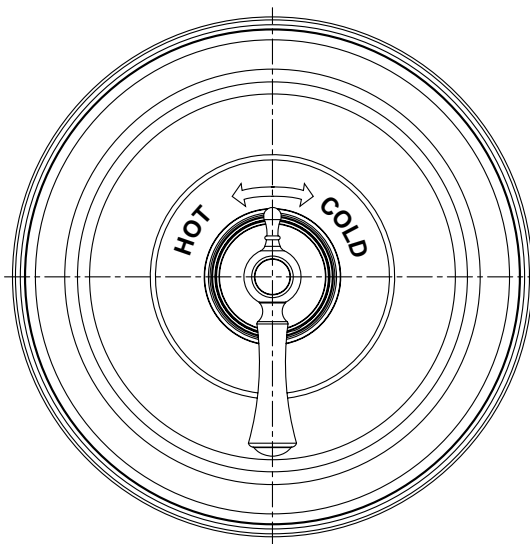
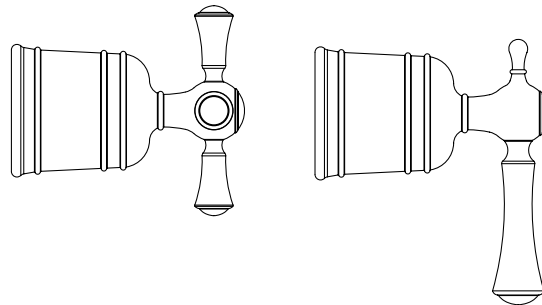


Features:

- Ceramic disc valve cartridge
- Cast brass valve body with built-in check stops
- Adjustable hot limit safety stop
- Wax Thermostatic Unit permits shuttle valve to move between the hot and cold seats to maintain the pre-selected constant water temperature
- Available with Cross or Lever Handle

Available Finishes:	
Polished Chrome	100
Brushed Nickel	144
Platinum Nickel	150

Handle Options:



IMPORTANT: These Measurements are subject to change or cancellation. No responsibility is assumed for use of superseded or voided pages.


CODES & STANDARDS

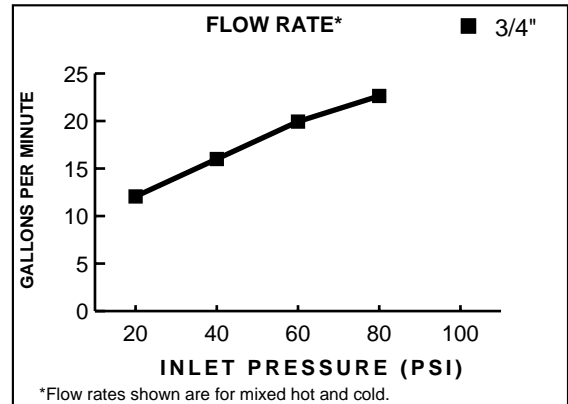
These products meet and exceed the following codes and standards:

ASME A112.18.1

CSA B125

ASSE 1016

 Meets the American Disabilities Act Guidelines and **ANSI A117.1** Requirements for the physically challenged.



IMPORTANT: These Measurements are subject to change or cancellation. No responsibility is assumed for use of superseded or voided pages.