



Features:

- Cast brass spout and valves
- Ceramic disc valve cartridge
- Adjustable hot limit safety stop
- Pressure Balance cartridge maintains constant output temperature in response to changes in relative hot and cold supply pressures
- Integral diverter
- Multi-functional showerhead

Pictured: 832/400 Tub & Shower Set

Showerhead Maximum Flow Rate: 2.5 GPM (9.5L/min)

| Kit Options | Handle Type | Product Number |
|-----------------------|-------------|----------------|
| Tub & Shower Set | Cross | 832/400 |
| PB Diverter Valve Set | Cross | 832/140 |

| Available Finishes: | Finish Code |
|---------------------|-------------|
| Polished Chrome | 100 |
| UltraSteel (PVD) | 355 |

| Rough & Trim Options | Handle Type | Product Number |
|-----------------------------------|-------------|----------------|
| Tub & Shower Set Trim Only* | Cross | 832/495 |
| PB Diverter Valve Set Trim Only** | Cross | 832/545 |
| Showerhead Only | | 832/082 |
| Tub Spout Only | | 832/017 |
| Rough Only | | 899/261/191 |

* Includes Pressure Balance Diverter Valve Trim, Showerhead & Tub Spout

**Pressure Balance Diverter Valve Trim Only

ROUGH-IN DIAGRAM SHOWN ON REVERSE SIDE

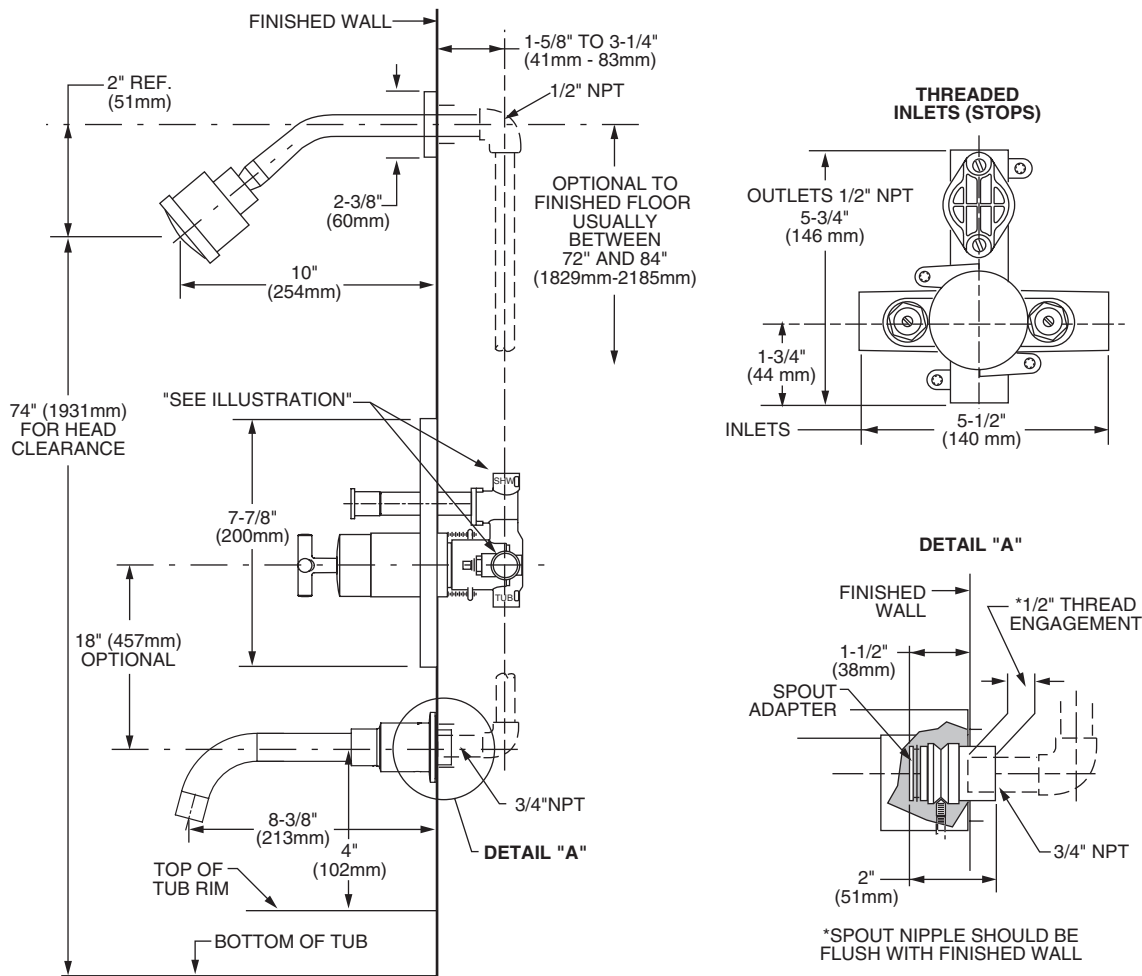
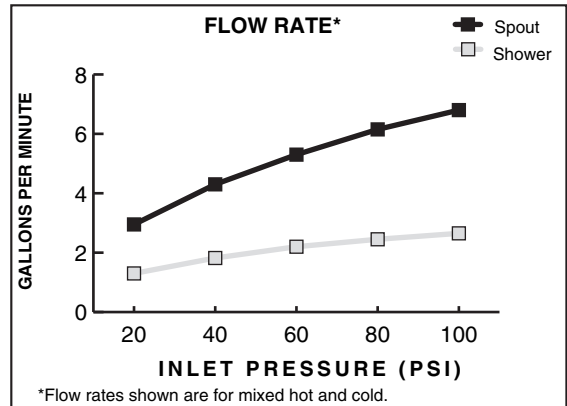
CODES & STANDARDS

These products meet and exceed the following codes and standards:

ASME A112.18.1

CSA B125

ASSE1016



IMPORTANT: These measurements are subject to change or cancellation. No responsibility is assumed for use of superseded or voided pages.