

TO THE PURCHASER OF JADO BRASS PRODUCTS

Attention installer:
Please leave This Pamphlet for The Owner

NOTICE: JADO products conform to industry requirements of water conservation under the ASTM / ANSI A112.18.1M-1994 plumbing code. Lavatory, bidet, wet bar and kitchen faucet sets have a maximum flow rate of 2.2GPM. Shower heads, hand showers and body sprays have a maximum flow rate of 2.5GPM.

The state of California has mandated under Proposition #65 that manufactures of products, including faucets which come into contact with potable water, must warn the consumer if the product contains materials listed by the state as a carcinogen or reproductive toxin. Lead, which is contained in all brass faucets in limited amounts appears on the State's list.

Preliminary industry tests have indicated that users of faucets made from brass face no significant danger, however, California Proposition #65 requires that we provide you with the following notice:

Warning: This product contains an element known to the State of California to cause cancer of reproductive harm.

JADO BATHROOM AND HARDWARE MFG. CORP.
6615 West Boston
Chandler, AZ 85226

JADO FAUCET LIFETIME FUNCTION AND FINISH LIMITED WARRANTY

JADO Bathroom & Hardware Manufacturing Corp. provides the following warranties only to the first residential owner of our products.

FINISHES

JADO warrants this product to be free from defects in materials or workmanship for as long as the original consumer purchaser owns their home.

JADO will provide, free of charge, at its sole option, replacement part(s) or product (or if no longer available, a comparable product) to replace those which have proven defective in materials or workmanship.

Proof of purchase (original sales receipt) from the original consumer purchaser must be made available to JADO for all limited warranty claims. This limited warranty is non transferable. It does not apply in the event of product damage due to the use of other than genuine JADO replacement parts, installation error, abuse, misuse, or improper care and maintenance (whether performed by a plumber, contractor, service provider or member of the purchaser's household). The limited warranty excludes damage due to aggressive air or water conditions, or harsh or abrasive cleaners and/or materials. This limited warranty excludes all industrial, commercial and business usage, whose purchasers are hereby extended a two year limited warranty (with the exception of solenoid valves and other electronic components which carry a one year limited warranty) applying to all other terms of this limited warranty except duration. This limited warranty does not cover labor charges incurred and/or damages sustained in installation, repair or replacement, nor incidental or consequential damages, all of which are expressly disclaimed. This limited warranty is applicable only to JADO faucets manufactured after June 1, 1996 and installed in the United States and/or Canada.

This limited warranty gives the original consumer purchaser of an JADO faucet specific legal rights which may vary from state to state or from province to province. This limited warranty does not cover any liability for consequential or incidental damages, all of which are hereby expressly disclaimed, or the extension beyond the duration of this limited warranty of any implied limited warranties, including those of merchantability or fitness for an intended purpose. In some states or provinces the exclusion or limitation of incidental or consequential damages is not allowed, so those exclusions may not apply to you.

POLISHED BRASS AND CUSTOM FINISH WARRANTY: A 1 YEAR LIMITED FINISH WARRANTY from date of purchase is provided to the first residential owner against defects in materials and workmanship. Due to the ever-changing finish of Patina products, the finish warranty is excluded. Warranty shall not include problems related to the installation of the product.

MECHANICS

MECHANICAL WARRANTY: A LIFETIME LIMITED WARRANTY is provided to the first residential owner on parts to be free from failure related to defects in materials and workmanship but not installation.

CONDITIONS TO WARRANTIES

JADO Bathroom & Hardware Manufacturing Corp. places the following conditions on its finish and mechanical warranties to the first residential owner only. JADO finish and mechanical warranties are limited to products correctly installed and used in a residential environment.

JADO warranties will not assume liability for damage due to abuse, mishandling, incorrect installation, improper maintenance, or deterioration due to normal use.

JADO will not be liable for labor or other costs relating to the sale, installation, or replacement of their products.

In the event of a defect in any JADO product covered by this warranty, the product must be returned to the dealer where originally purchased along with proof of purchase.

JADO's obligation under the warranty shall be limited to the repair or exchange of any product which has been determined by JADO to be defective after appropriate examination.

JADO

Products

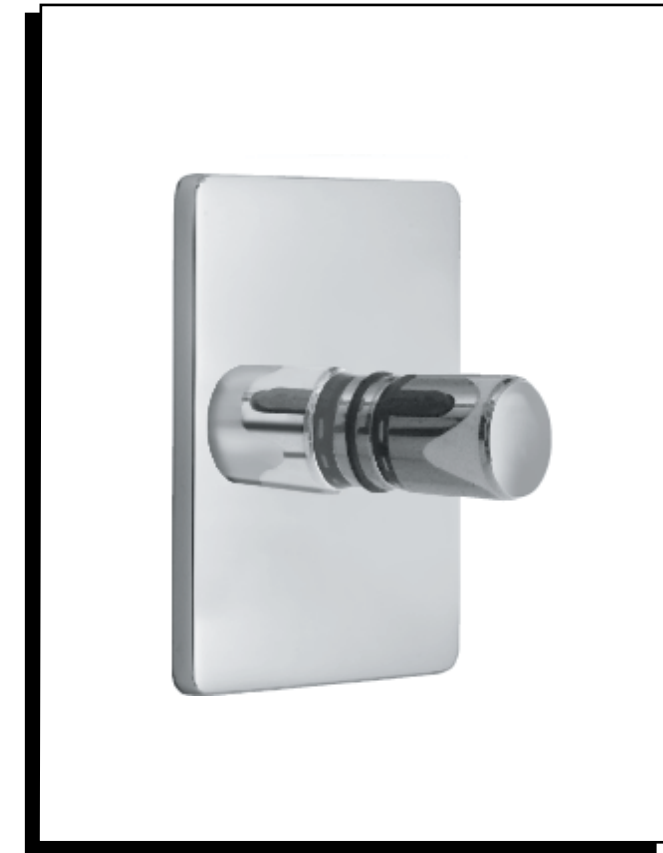
Glance

Product Numbers
831/707/...

3/4" Thermostatic Mixing Valve Trim Kit Installation Instructions

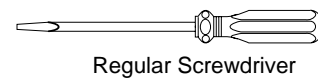
To ensure that your installation proceeds smoothly--please read these instructions carefully before you begin.

Luxury Faucets and Accessories

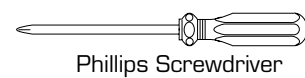


JADO USA
6615 West Boston
Chandler, AZ 85226
Phone: (800) 227-2734
Fax: (800) 552-JADO(5236)
www.jadousa.com

TOOLS REQUIRED



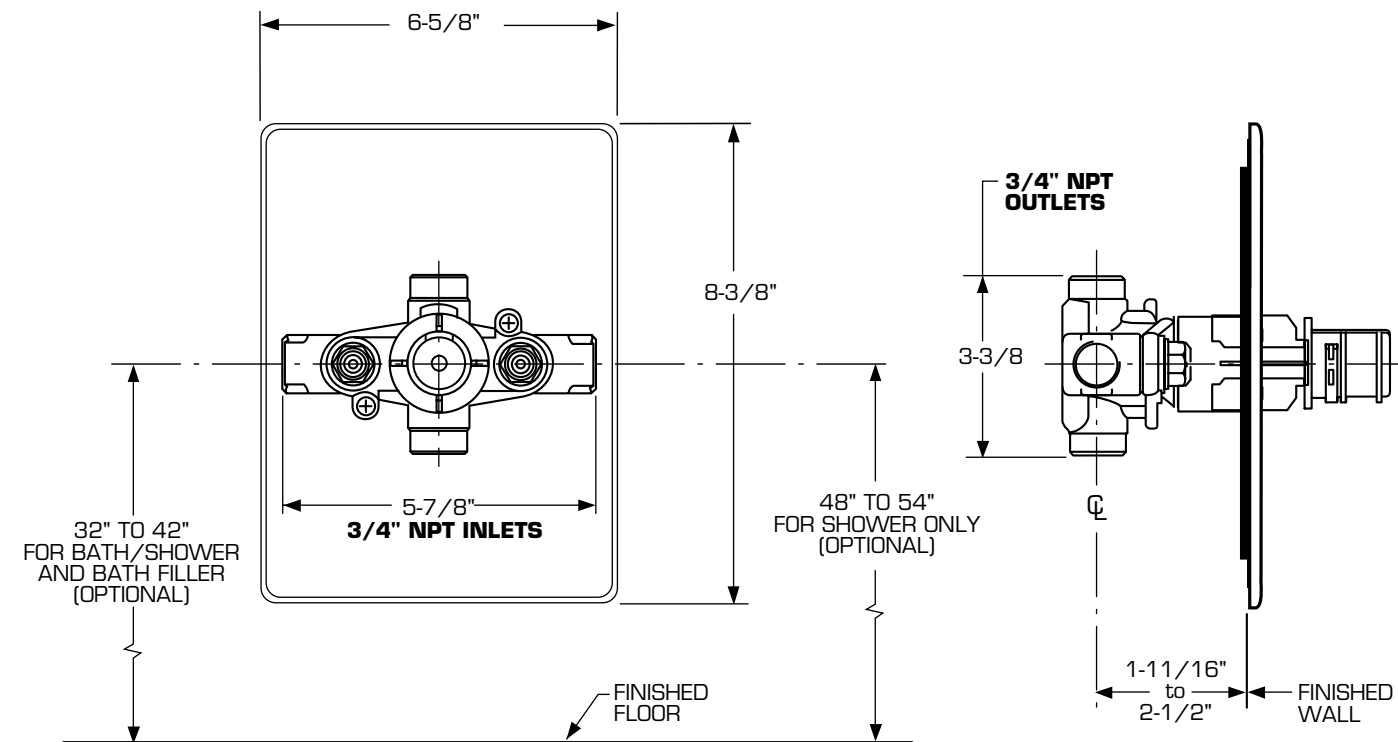
Regular Screwdriver



Phillips Screwdriver

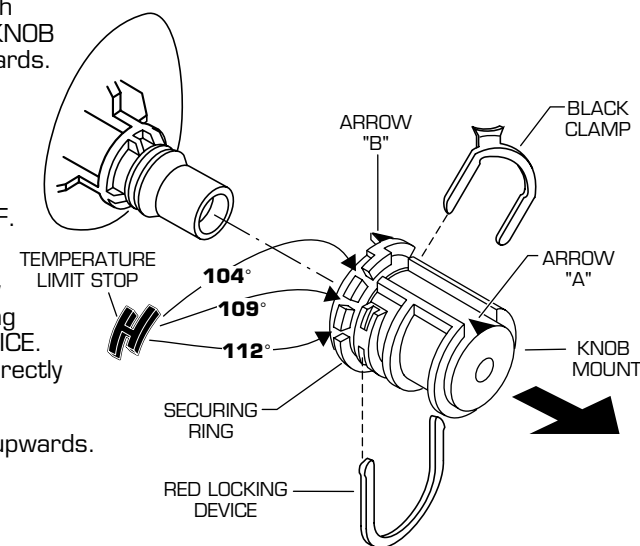
ROUGHING-IN DIMENSIONS

- For reference



1 TEMPERATURE CALIBRATION

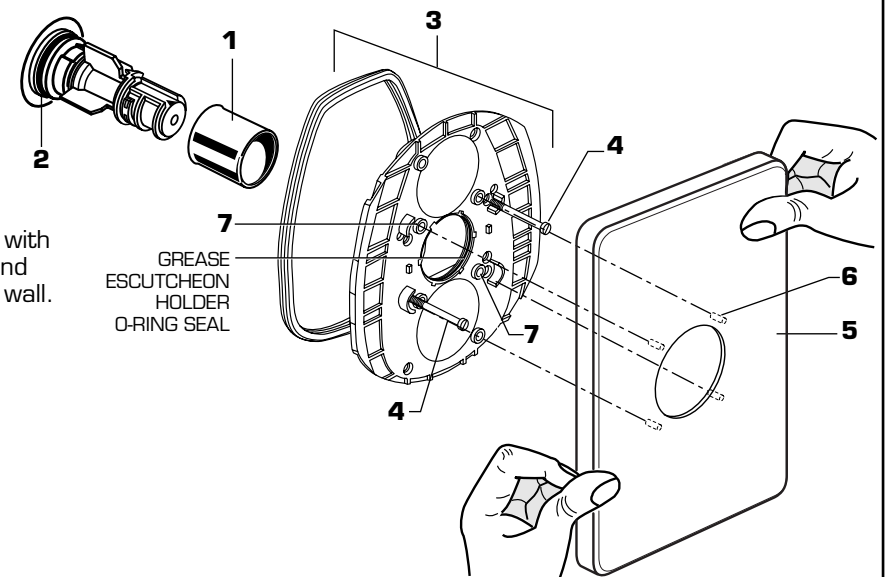
- Unscrew PLASTER GUARD SCREWS and remove PLASTER GUARD.
- Check that arrow marking B points vertically upwards. If not, push the BLACK CLAMP on the SECURING RING to the right, pull off KNOB MOUNT and reinstall KNOB MOUNT with arrow "B" pointing upwards.
- The maximum mixed water temperature is set at 109° F at the factory. This setting can be changed if desired.
- Remove the TEMPERATURE LIMIT STOP (H shaped Black Plastic part). Re-install it at the desired notch as indicated in the diagram to limit the maximum mixed water temperature to 104°F or 112°F.
- For 100° F adjustment, turn the water supply on. Turn KNOB MOUNT until the spout temperature is 100° F. Check that arrow marking A on the KNOB MOUNT still points upward after adjusting the thermostat to 100° F. If not, pull out the RED LOCKING DEVICE. Remove KNOB MOUNT by pulling it towards you while standing directly in front of the valve.
- Reinstall the KNOB MOUNT so that the arrow marking A points upwards.
- Reinstall RED LOCKING DEVICE.



109661A

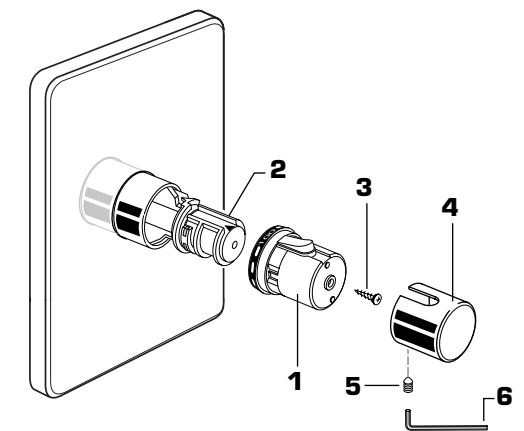
2 TRIM INSTALLATION

- Push CAP (1) over the O-RING SEAL (2).
- Push ESCUTCHEON HOLDER and SEAL (3) with lightly greased O-ring seal over CAP (1) and secure with SCREWS (4).
- Align PINS (6) on back side of ESCUTCHEON (5) with the HOLES (7) in ESCUTCHEON HOLDER (3) and press ESCUTCHEON (5) flush against finished wall.



3 HANDLE INSTALLATION

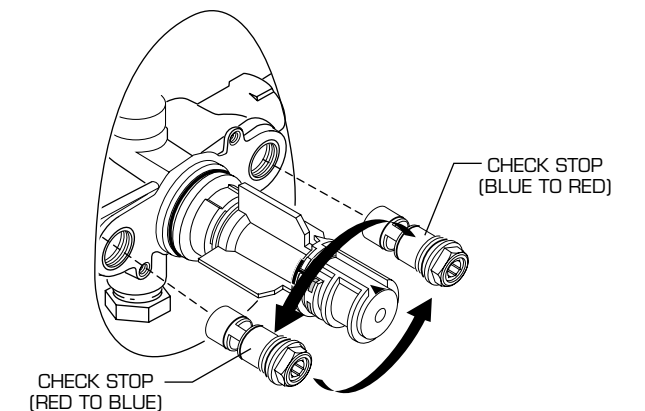
- Push TEMPERATURE-CONTROL KNOB (1) onto KNOB MOUNT (2).
- Attach TEMPERATURE CONTROL KNOB (1) to valve with ATTACHMENT SCREW (3). Push HANDLE (4) onto TEMPERATURE CONTROL KNOB (1).
- Tighten SET SCREW (5) with HEX WRENCH (6) to secure HANDLE (4).



4 TRANSPOSED SUPPLY PIPING

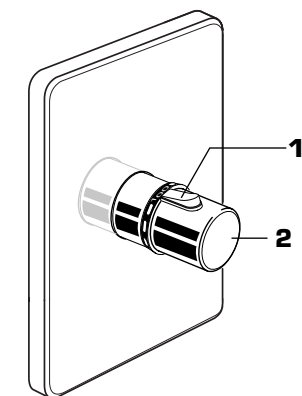
Should the hot and cold water supply pipes have been transposed making adjustment impossible, proceed as follows:

- Shut off water supply.
- Remove handle and rim
- Remove check stops and re-install them transposed.
- Important note: RED CHECK STOP is now on the right of the mixer body and the BLUE CHECK STOP is now on the left.
- Turn the water supply back on and perform the temperature adjustment in step 1.



5 OPERATING THE VALVE

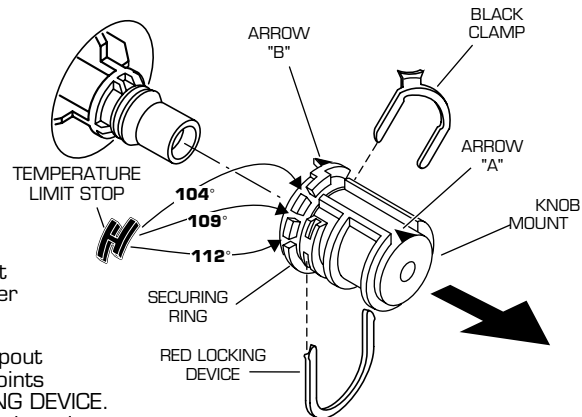
- If a temperature over 100°F is desired, push the STOP BUTTON (1) down and turn the TEMPERATURE KNOB (2).
- This will increase the mixed water temperature up to the maximum limit previously selected in step 1.



109661A

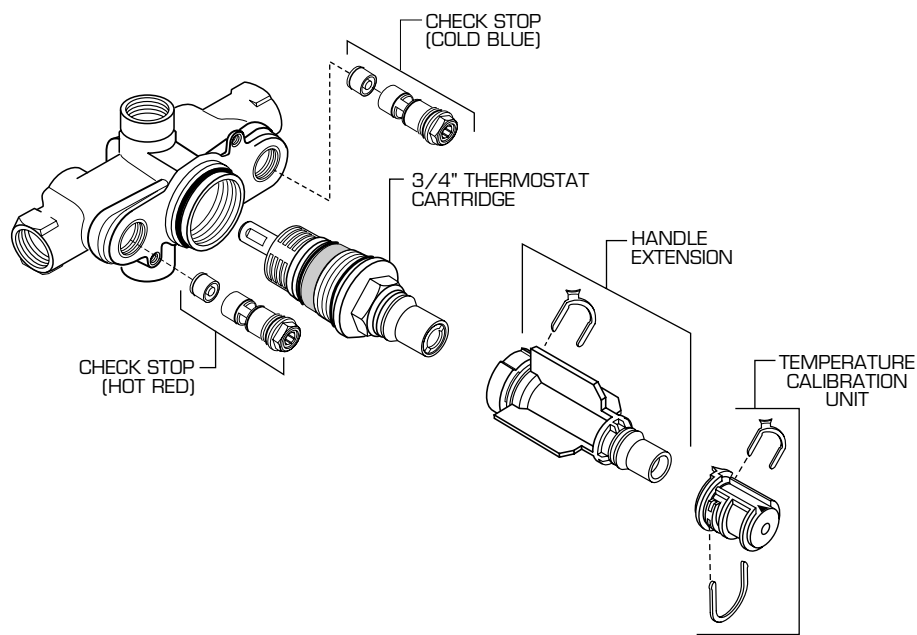
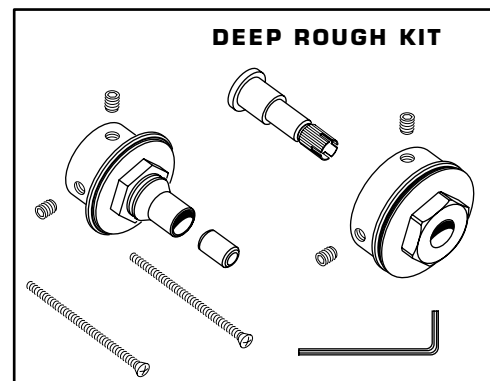
4 TEMPERATURE CALIBRATION

- Unscrew PLASTER GUARD SCREWS and remove PLASTER GUARD.
- Check that arrow marking B points vertically upwards. If not, push the BLACK CLAMP on the SECURING RING to the right, pull off KNOB MOUNT and reinstall KNOB MOUNT with arrow "B" pointing upwards.
- The maximum mixed water temperature is set at 109° F at the factory. This setting can be changed if desired.
- Remove the TEMPERATURE LIMIT STOP (H shaped Black Plastic part). Reinstall it at the desired notch as indicated in the diagram to limit the maximum mixed water temperature to 104°F or 112°F.
- For 100° F adjustment, turn the water supply on. Turn KNOB MOUNT until the spout temperature is 100° F. Check that arrow marking A on the KNOB MOUNT still points upward after adjusting the thermostat to 100° F. If not, pull out the RED LOCKING DEVICE. Remove KNOB MOUNT by pulling it towards you while standing directly in front of the valve.
- Reinstall the KNOB MOUNT so that the arrow marking A points upwards.
- Reinstall RED LOCKING DEVICE.



PARTS DESCRIPTION

MODEL NUMBER
875/614/191



TO THE PURCHASER OF JADO BRASS PRODUCTS

Attention installer:
Please leave This Pamphlet for The Owner

NOTICE: JADO products conform to industry requirements of water conservation under the ASTM / ANSI A112.18.1M-1994 plumbing code. Lavatory, bidet, wet bar and kitchen faucet sets have a maximum flow rate of 2.2GPM. Shower heads, hand showers and body sprays have a maximum flow rate of 2.5GPM.

The state of California has mandated under Proposition #65 that manufacturers of products, including faucets which come into contact with potable water, must warn the consumer if the product contains materials listed by the state as a carcinogen or reproductive toxin. Lead, which is contained in all brass faucets in limited amounts appears on the State's list.

Preliminary industry tests have indicated that users of faucets made from brass face no significant danger, however, California Proposition #65 requires that we provide you with the following notice:

Warning: This product contains an element known to the State of California to cause cancer of reproductive harm.

JADO BATHROOM AND HARDWARE MFG. CORP.
6615 West Boston
Chandler, AZ 85226

JADO FAUCET LIFETIME FUNCTION AND FINISH LIMITED WARRANTY

JADO Bathroom & Hardware Manufacturing Corp. provides the following warranties only to the first residential owner of our products.

FINISHES

JADO warrants this product to be free from defects in materials or workmanship for as long as the original consumer purchaser owns their home.

JADO will provide, free of charge, at its sole option, replacement part(s) or product (or if no longer available, a comparable product) to replace those which have proven defective in materials or workmanship.

Proof of purchase (original sales receipt) from the original consumer purchaser must be made available to JADO for all limited warranty claims. This limited warranty is non transferable. It does not apply in the event of product damage due to the use of other than genuine JADO replacement parts, installation error, abuse, misuse, or improper care and maintenance (whether performed by a plumber, contractor, service provider or member of the purchaser's household). The limited warranty excludes damage due to aggressive air or water conditions, or harsh or abrasive cleaners and/or materials. This limited warranty excludes all industrial, commercial and business usage, whose purchasers are hereby extended a two year limited warranty (with the exception of solenoid valves and other electronic components which carry a one year limited warranty) applying to all other terms of this limited warranty except duration. This limited warranty does not cover labor charges incurred and/or damages sustained in installation, repair or replacement, nor incidental or consequential damages, all of which are expressly disclaimed. This limited warranty is applicable only to JADO faucets manufactured after June 1, 1996 and installed in the United States and/or Canada.

This limited warranty gives the original consumer purchaser of an JADO faucet specific legal rights which may vary from state to state or from province to province. This limited warranty does not cover any liability for consequential or incidental damages, all of which are hereby expressly disclaimed, or the extension beyond the duration of this limited warranty of any implied limited warranties, including those of merchantability or fitness for an intended purpose. In some states or provinces the exclusion or limitation of incidental or consequential damages is not allowed, so those exclusions may not apply to you.

POLISHED BRASS AND CUSTOM FINISH WARRANTY: A 1 YEAR LIMITED FINISH WARRANTY from date of purchase is provided to the first residential owner against defects in materials and workmanship. Due to the ever-changing finish of Patina products, the finish warranty is excluded. Warranty shall not include problems related to the installation of the product.

MECHANICS

MECHANICAL WARRANTY: A LIFETIME LIMITED WARRANTY is provided to the first residential owner on parts to be free from failure related to defects in materials and workmanship but not installation.

CONDITIONS TO WARRANTIES

JADO Bathroom & Hardware Manufacturing Corp. places the following conditions on its finish and mechanical warranties to the first residential owner only. JADO finish and mechanical warranties are limited to products correctly installed and used in a residential environment. JADO warranties will not assume liability for damage due to abuse, mishandling, incorrect installation, improper maintenance, or deterioration due to normal use.

JADO will not be liable for labor or other costs relating to the sale, installation, or replacement of their products. In the event of a defect in any JADO product covered by this warranty, the product must be returned to the dealer where originally purchased along with proof of purchase.

JADO's obligation under the warranty shall be limited to the repair or exchange of any product which has been determined by JADO to be defective after appropriate examination.

H965551

JADO

Products

*Thermostatic
Mixing Valve
with Stops*

Product Number
875/614/191

Rough Valve for 3/4" Thermostatic Mixing Valve with Integral Stops Installation Instructions

To ensure that your installation proceeds smoothly--please read these instructions carefully before you begin.

Luxury Faucets and Accessories

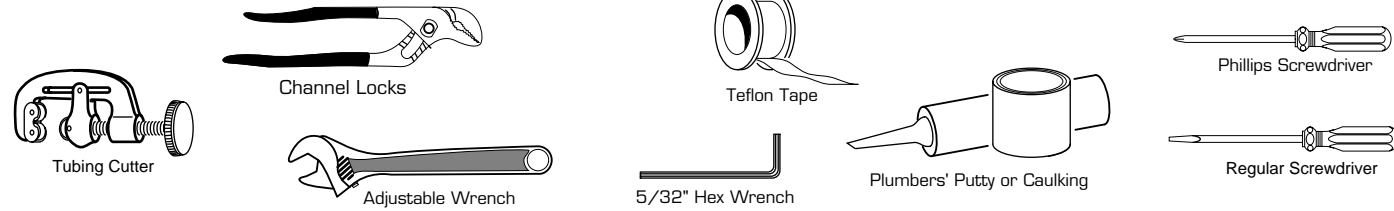


JADO USA
6615 West Boston
Chandler, AZ 85226
Phone: (800) 227-2734
Fax: (800) 552-JADO(5236)
www.jadousa.com

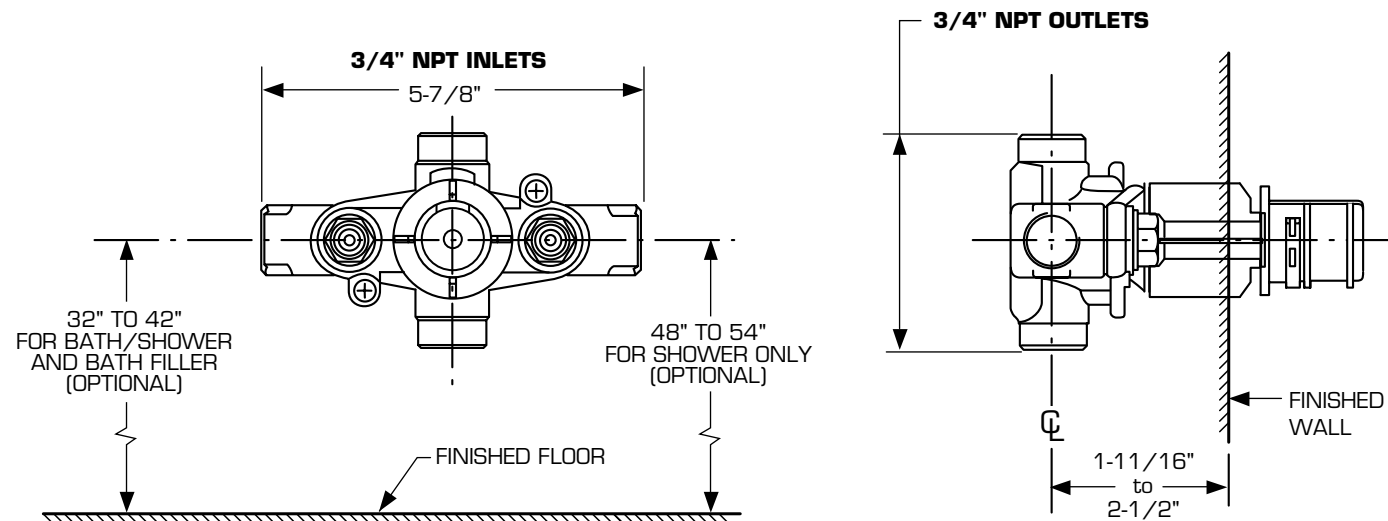
©JADO USA 2005

H965551

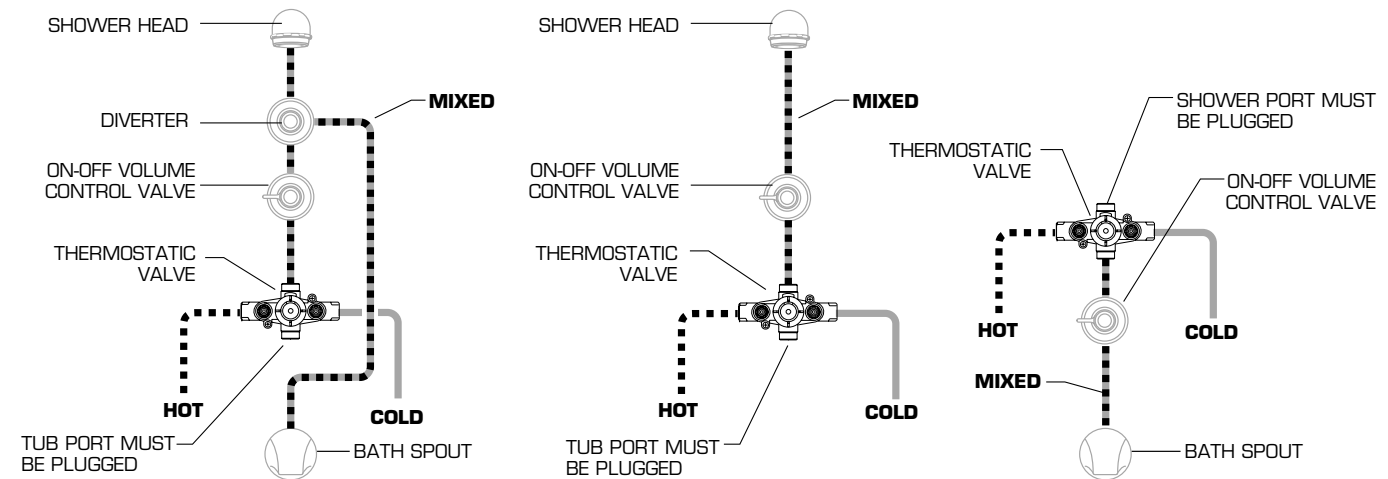
TOOLS REQUIRED



ROUGHING-IN DIMENSIONS



INSTALLATION OPTIONS



IMPORTANT: WHEN USING THIS VALVE AS A BATH/SHOWER, A SEPARATE DIVERTER AND ON-OFF VOLUME CONTROL VALVE IS REQUIRED FOR PROPER OPERATION.

**BATH/SHOWER
INSTALLATION**

IMPORTANT: WHEN USING THIS VALVE AS A SHOWER, AN ON-OFF VOLUME CONTROL VALVE IS REQUIRED FOR PROPER OPERATION.

**SHOWER
INSTALLATION**

IMPORTANT: WHEN USING THIS VALVE AS A BATH FILLER, AN ON-OFF VOLUME CONTROL VALVE IS REQUIRED FOR PROPER OPERATION.

**BATH FILLER
INSTALLATION**

1 ROUGHING-IN THE VALVE

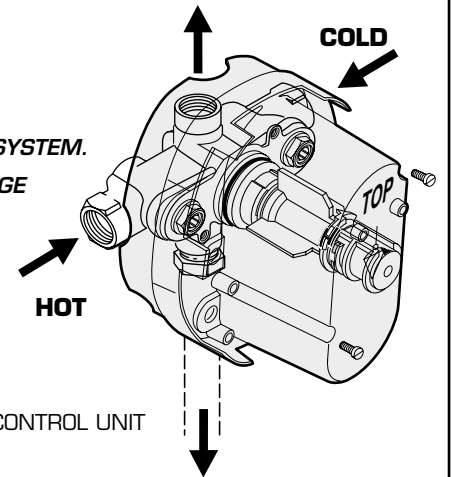
CAUTION Turn off hot and cold water supplies before beginning.

- Prepare water supplies per ROUGHING-IN DIMENSIONS. Make sure the finished wall is between the minimum 1-11/16" and maximum 2-1/2" rough dimension.
- Install VALVE (1) at indicated height and depth. Make sure the "TOP" marking on the PLASTER GUARD (2) is up. For support, use pipe BRACES (3) secured to wooden braces.
- Connect the hot and cold water supplies. Assemble all connecting pipes. Close off the tub port if it is not needed using a commercially available pipe plug. Connections are 3/4" NPT.

IMPORTANT! INSTALL ANY REQUIRED SHUT OFF OR DIVERTER VALVE INTO THE PIPING SYSTEM.

WARNING DO NOT SOLDER DIRECTLY TO THE VALVE BODY (1); THIS WILL DAMAGE THE TEMPERATURE CONTROL ELEMENT AND CHECK STOP VALVES.

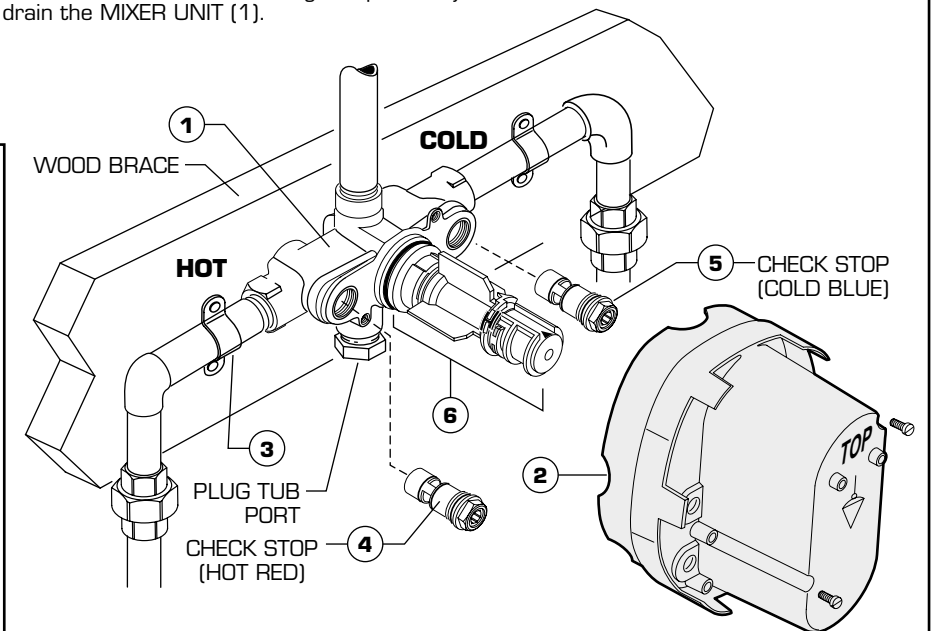
- Remove PLASTER GUARD (2) if still installed.
- If the CHECK STOPS (4, 5) were removed during installation, ensure the hot and cold CHECK STOPS (4, 5) are not reversed. The hot CHECK STOP (4) has a red top and the cold CHECK STOP (5) has a blue top.
- CHECK STOPS (4,5) are supplied in the open position. Close using 5/32" (4 mm) hex wrench to pressure test and to check for leaks.
- To flush lines, remove the CHECK STOPS (4,5) and run water. If desired, the TEMPERATURE CONTROL UNIT can be removed. Reinstall CHECK STOPS (4,5) and CONTROL UNIT (6), if it was removed.
- Reassemble PLASTER GUARD (2) and FINISH WALL.
- **Beware of Freezing.** No water should remain in the MIXING VALVE if freezing is a possibility. Remove the CHECK STOPS (4,5) to completely drain the MIXER UNIT (1).



2 BACK TO BACK INSTALLATION OR TRANSPOSED SUPPLY PIPING

If the system is delivering All Hot or All Cold and no mixed water, the pipes are probably transposed.

- Should the hot and cold water supply pipes have been transposed making adjustment impossible, proceed as follows:
 - Shut off water at main supply.
 - Remove check stops and reinstall them transposed.
- Important note: RED CHECK STOP (4) is now on the right of the mixer body and the BLUE CHECK STOP (5) is now on the left.
- Turn the water supply back on and perform the temperature calibration in step 3.



3 INSTALLATION OF SEAL SET

Important! Inform the tiler - see Figures 1 & 2

- Ready plastered and pretreated wall. Fig. 1.
- Use the PLASTER GUARD (1) for fixing the SEALING FRAME (2). Fig. 1.
- Glue on the SEALING FRAME (2). Fig. 1.
- Finish tiling the wall. Fig. 2.

