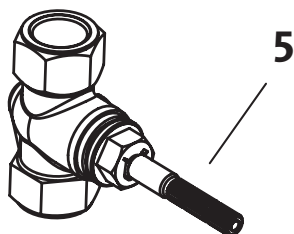
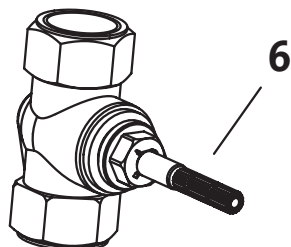


1/2" Wall Valve

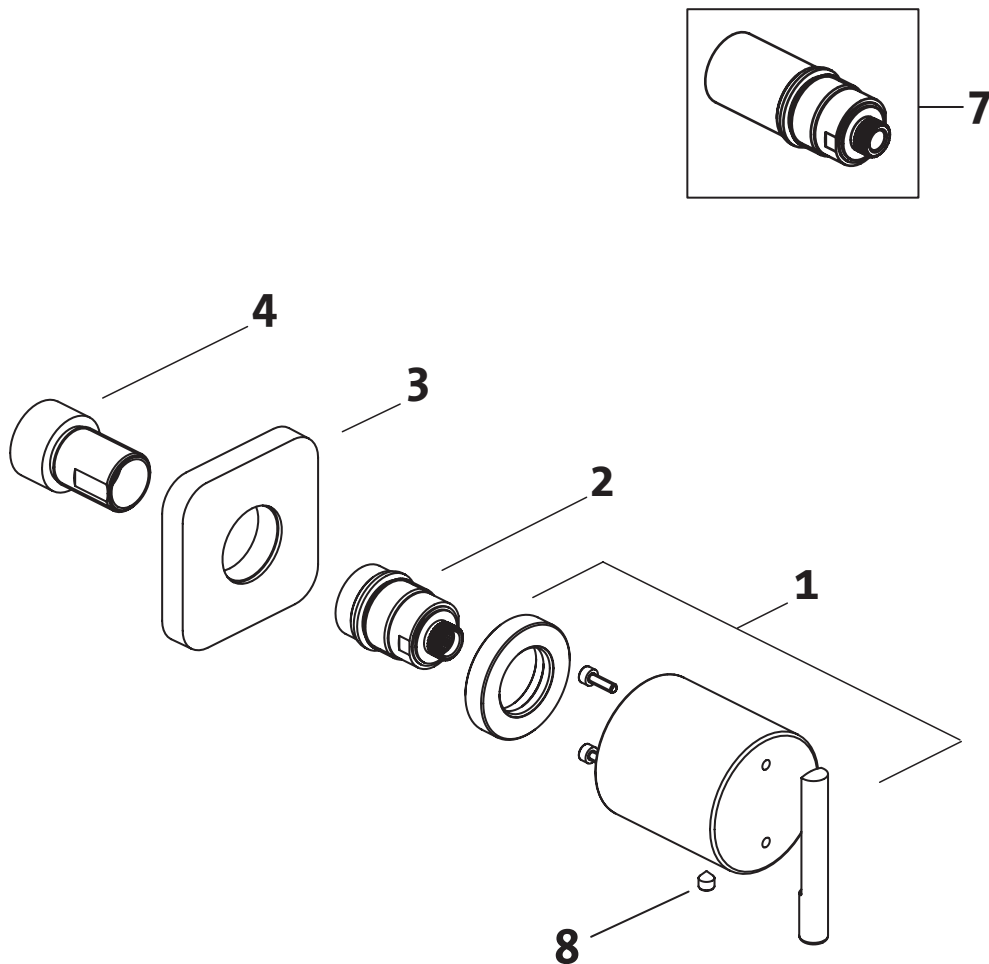


865/001/191

3/4" Wall Valve



865/101/191



Replace "XXX" with the appropriate finish code:

Polished Chrome = 100, Platinum Nickel = 150,
UltraSteel = 355

Example Repair Part order:

H960838.100 in Polished Chrome
H960838.355 in UltraSteel

Pos.	Description	Repair Part Number	Delivery quantity	Pos.	Description	Repair Part Number	Delivery quantity
1	Control Handle	H960838.XXX	1 Piece	5	1/2" Cartridge	H960520.191	1 Piece
2	Extension	H960836.191	1 Piece	6	3/4" Cartridge	H960935.191	1 Piece
3	Rosette	H960837.XXX	1 Piece	7	Extension Kit	H960808.191	1 Piece
4	Extension Adapter	H960855.191	1 Piece	8	Set Screw	A860603.191	1 Piece