

Features:

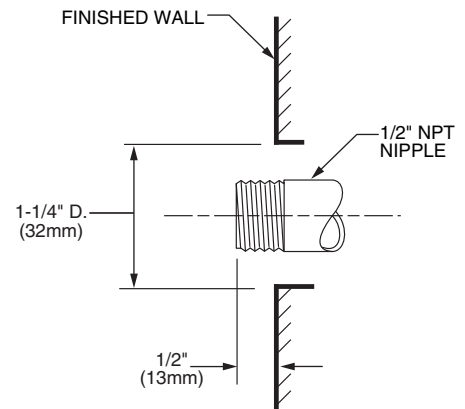
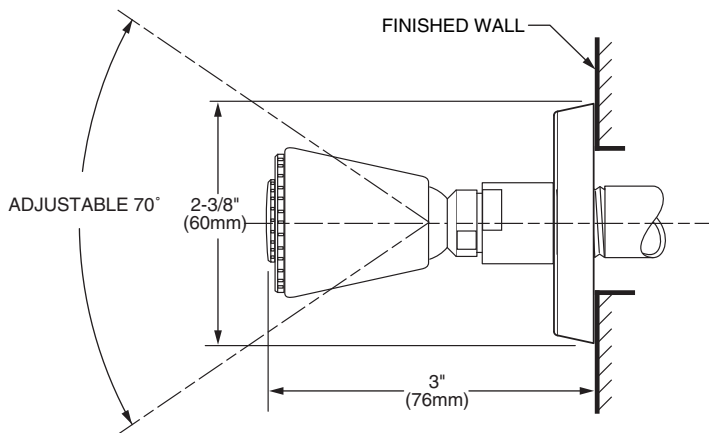
- NPT female threaded inlet
- Adjustable spray head



Maximum Flow Rate: 2.5 GPM (9.5L/min)

	Handle Type	Product Number
Body Spray		820/007

Available Finishes:	Finish Code
Polished Chrome	100
Old Bronze	105
Brushed Nickel	144
Platinum Nickel	150



IMPORTANT: These measurements are subject to change or cancellation. No responsibility is assumed for use of superseded or voided pages.

CODES & STANDARDS

These products meet and exceed the following codes and standards:

ASME A112.18.1

CSA B125

