

Features:

- Cast brass valve
- Controls On/Off and Volume functions for a single shower component in a shower system
- 1/2" and 3/4" NPT available
- Available in Cross or Lever Handle



Pictured: 818/013 Wall Valve - Lever Handle

Kit Options	Handle Type	Product Number
1/2" Wall Valve - "Hot"	Cross	818/043
1/2" Wall Valve - "Cold"	Cross	818/053
1/2" Wall Valve	Cross	818/063
1/2" Wall Valve	Lever	818/013
3/4" Wall Valve - "Hot"	Cross	818/044
3/4" Wall Valve - "Cold"	Cross	818/054
3/4" Wall Valve	Cross	818/064
3/4" Wall Valve	Lever	818/014



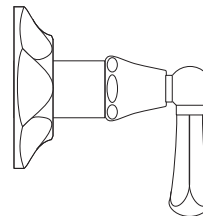
Rough & Trim Options	Handle Type	Product Number
Trim Only - "Hot"	Cross	818/743
Trim Only - "Cold"	Cross	818/753
Trim Only	Cross	818/765
Trim Only	Lever	818/713
Rough Only - 1/2" Wall Valve	Cross	865/001/191
Rough Only - 3/4" Wall Valve	Cross	865/101/191



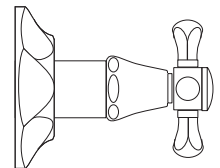
Extension Kits	Product Number
Stem Extension Kit	H960764.191
Stem Extension Kit Cover	H960202

Available Finishes:	Finish Code
Polished Chrome	100
Brushed Nickel	144
Platinum Nickel	150
Diamond (PVD)	167

Handle Options:



Lever Handle



Cross Handle

ROUGH-IN DIAGRAM SHOWN ON REVERSE SIDE

CODES & STANDARDS

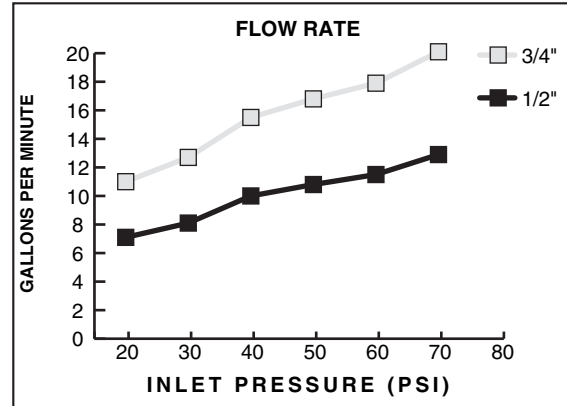
These products meet and exceed the following codes and standards:

ASME A112.18.1

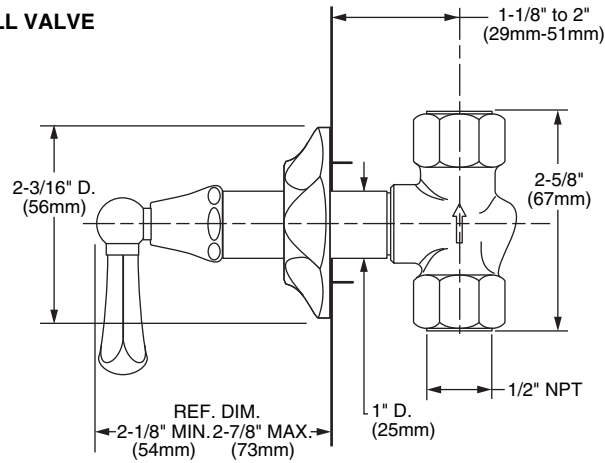
CSA B125



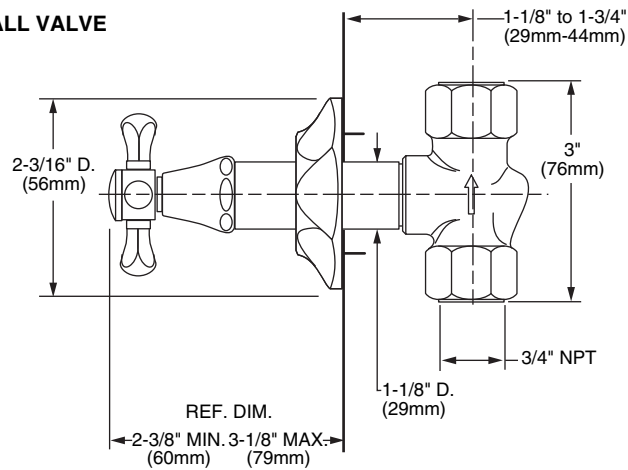
Meets the American Disabilities Act Guidelines and **ANSI A117.1** Requirements for the physically challenged.



1/2" WALL VALVE



3/4" WALL VALVE



IMPORTANT: These measurements are subject to change or cancellation. No responsibility is assumed for use of superseded or voided pages.