



### Features:

- Cast brass valve
- Controls On/Off and Volume functions for a single shower component in a shower system
- 1/2" and 3/4" NPT available

Pictured: 816/009 Wall Valve

Kit Options	Handle Type	Product Number	
1/2" Wall Valve - Left	Lever	816/009	♿
1/2" Wall Valve - Right	Lever	816/019	♿
3/4" Wall Valve - Left	Lever	816/109	♿
3/4" Wall Valve - Right	Lever	816/119	♿

Rough & Trim Options	Handle Type	Product Number	
Trim Only - Left	Lever	816/709	♿
Trim Only - Right	Lever	816/719	♿
Rough Only - 1/2" Wall Valve		865/001/191	
Rough Only - 3/4" Wall Valve		865/101/191	

Available Finishes:	Finish Code
Old Bronze	105
UltraBrass	113
Brushed Nickel	144
Platinum Nickel	150
Diamond (PVD)	167

ROUGH-IN DIAGRAM SHOWN ON REVERSE SIDE

### CODES & STANDARDS

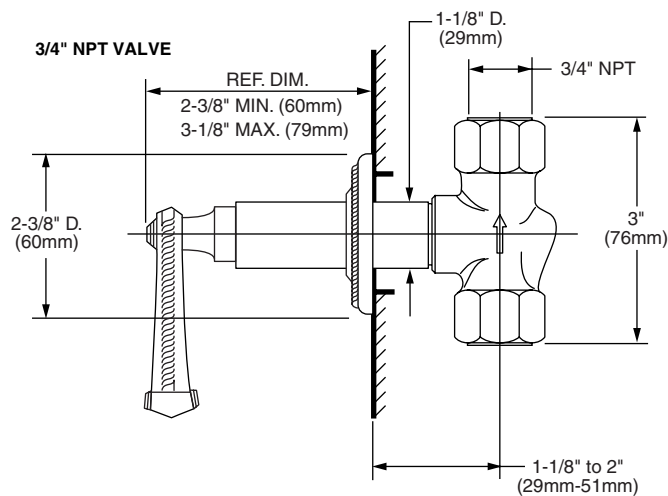
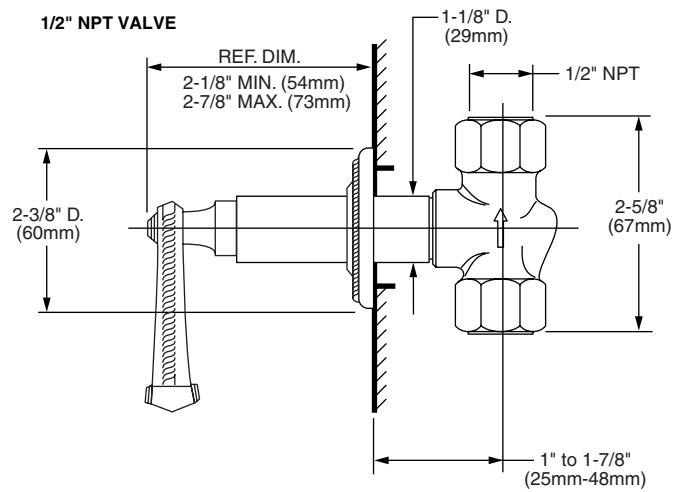
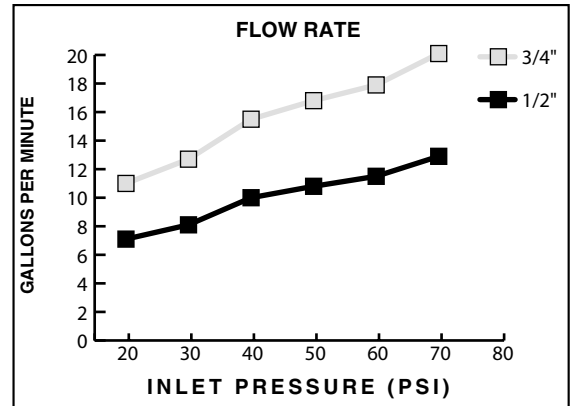
These products meet and exceed the following codes and standards:

**ASME A112.18.1**

**CSA B125**



Meets the American Disabilities Act Guidelines and **ANSI A117.1** Requirements for the physically challenged.



**IMPORTANT:** These measurements are subject to change or cancellation. No responsibility is assumed for use of superseded or voided pages.