

# Wynd 816

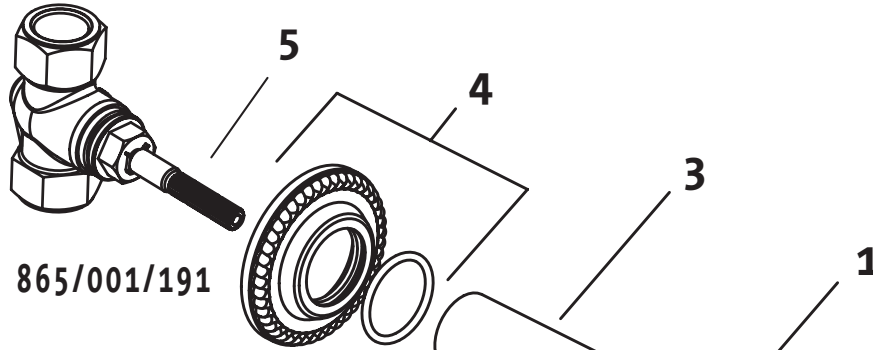
1/2" or 3/4" Wall Valve - Lever

816/009/... 816/109/... 816/709/...

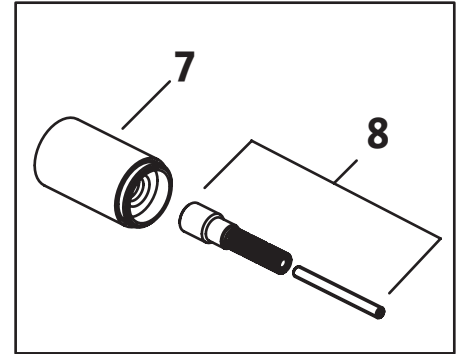
816/019/... 816/119/... 816/719/...

# JADO

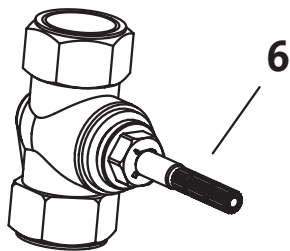
## 1/2" Wall Valve



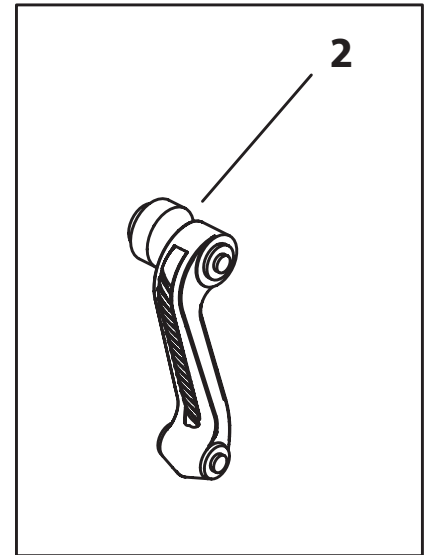
865/001/191



## 3/4" Wall Valve



865/101/191



Replace "XXX" with the appropriate finish code:

Old Bronze = 105, Ultra Brass = 113, Brushed Nickel = 144

Platinum Nickel = 150, Diamond Finish = 167

Example Repair Part order:

H960364.105 in Old Bronze

H960364.167 in Diamond

| Pos. | Description        | Repair Part Number | Delivery quantity | Pos. | Description             | Repair Part Number | Delivery quantity |
|------|--------------------|--------------------|-------------------|------|-------------------------|--------------------|-------------------|
| 1    | Curved Lever Left  | H960364.XXX        | 1 Piece           | 5    | 1/2" Cartridge          | H960520.191        | 1 Piece           |
| 2    | Curved Lever Right | H960363.XXX        | 1 Piece           | 6    | 3/4" Cartridge          | H960935.191        | 1 Piece           |
| 3    | Barrel Sleeve      | H960203.XXX        | 1 Piece           | 7    | Barrel Sleeve Extension | H960202.XXX        | 1 Piece           |
| 4    | Rosette            | H960628.XXX        | 1 Piece           | 8    | Stem Extension          | H960764.191        | 1 Piece           |