



Features:

- European Minimalist Design
- Cast brass valve
- Ceramic disc valve cartridge
- Adjustable hot limit safety stop
- Pressure Balance cartridge maintains constant output temperature in response to changes in relative hot and cold supply pressures
- Multi-functional showerhead
- Concealed mounting hardware

Showerhead Maximum Flow Rate: 2.5 GPM (9.5L/min)

Kit Options	Handle Type	Product Number
Shower Set	Knob	814/451
PB Shower Valve Set	Knob	814/131

Available Finishes:	Finish Code
Polished Chrome	100

Rough & Trim Options	Handle Type	Product Number
Shower Set Trim Only*	Knob	814/486
PB Shower Valve Set Trim Only**	Knob	814/536
Showerhead Only		814/082
Rough Only		899/260/191

* Includes Pressure Balance Shower Valve Trim & Showerhead

** Pressure Balance Shower Valve Trim Only

Extension Kits	Product Number
PB Handle Extension Kit	A3195.191

ROUGH-IN DIAGRAM SHOWN ON REVERSE SIDE

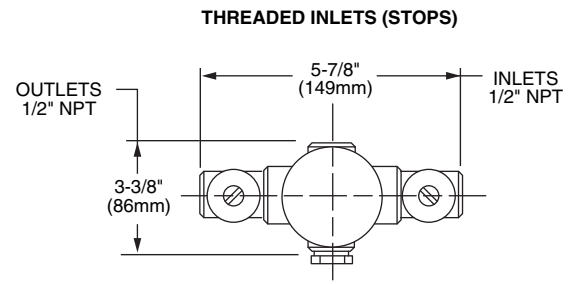
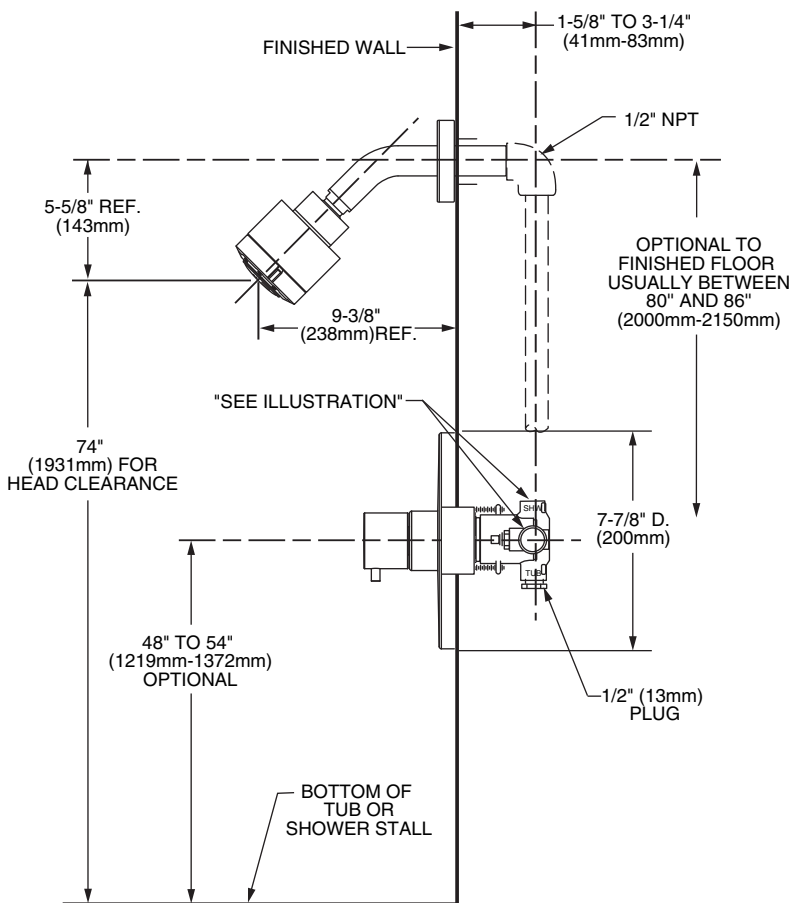
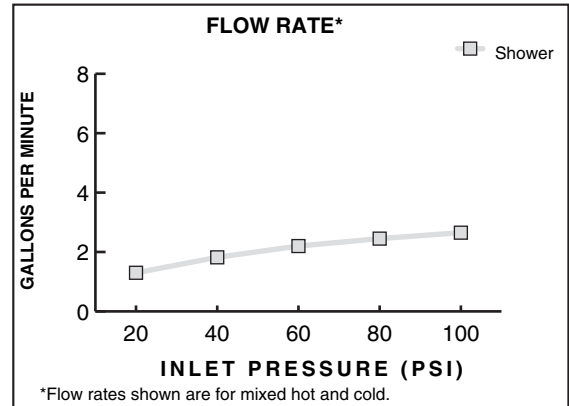
CODES & STANDARDS

These products meet and exceed the following codes and standards:

ASME A112.18.1

CSA B125

ASSE1016



IMPORTANT: These measurements are subject to change or cancellation. No responsibility is assumed for use of superseded or voided pages.