



Features:

- European Minimalist Design
- Cast brass spout and valves
- Ceramic disc valve cartridge
- Adjustable hot limit safety stop
- Pressure Balance cartridge maintains constant output temperature in response to changes in relative hot and cold supply pressures
- Integral diverter
- Multi-functional showerhead
- Concealed mounting hardware
- Spout accommodates 1/2" or 3/4" NPT installations

Showerhead Maximum Flow Rate: 2.5 GPM (9.5L/min)

Kit Options	Handle Type	Product Number
Tub & Shower Set	Knob	814/401
PB Diverter Valve Set	Knob	814/141

Available Finishes:	Finish Code
Polished Chrome	100

Rough & Trim Options	Handle Type	Product Number
Tub & Shower Set Trim Only*	Knob	814/496
PB Diverter Valve Set Trim Only**	Knob	814/546
Showerhead Only		814/082
Tub Spout Only		814/017
Rough Only		899/261/191

* Includes Pressure Balance Diverter Valve Trim, Showerhead & Tub Spout

** Pressure Balance Diverter Valve Trim Only

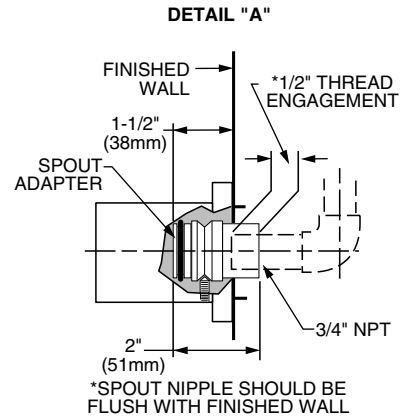
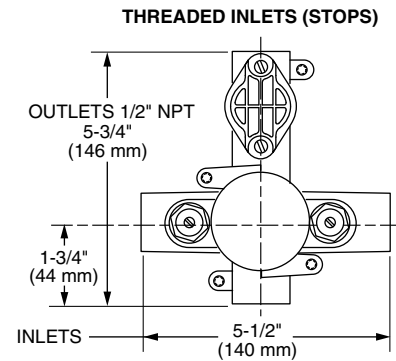
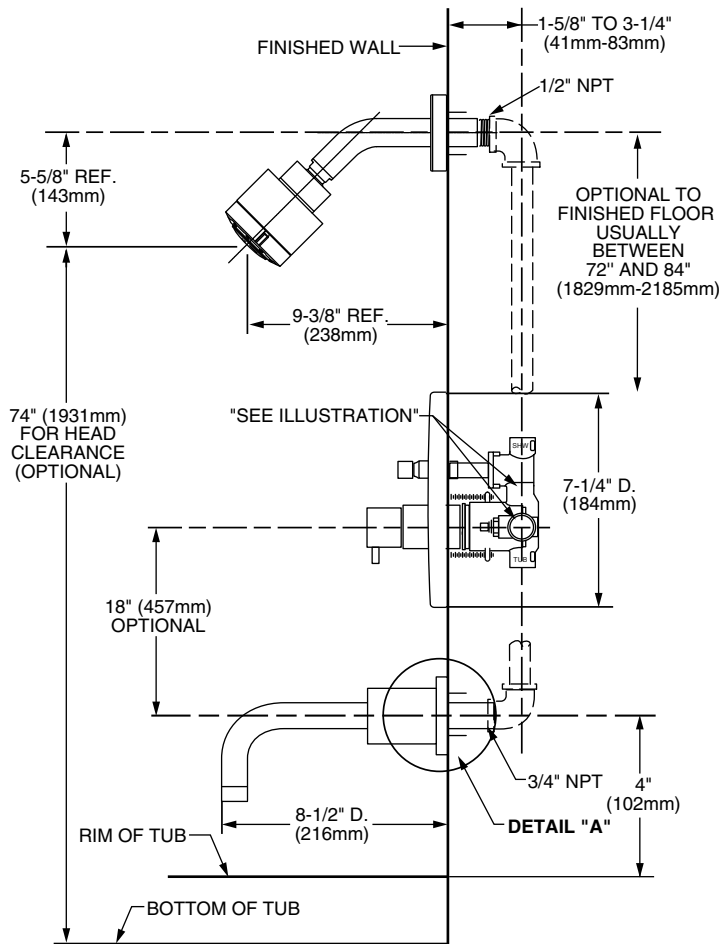
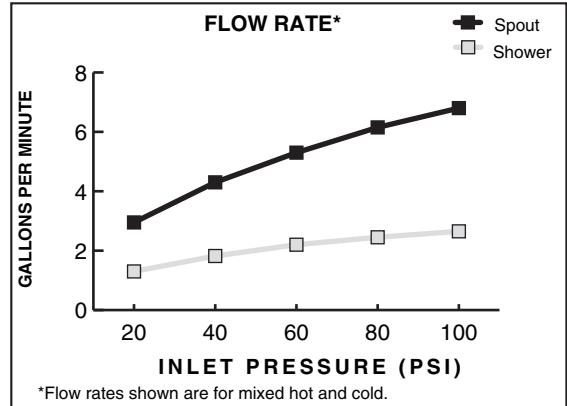
Extension Kits	Product Number
PB Handle Extension Kit	A3195.191
PB Diverter Extension Kit	A3196.191

ROUGH-IN DIAGRAM SHOWN ON REVERSE SIDE

CODES & STANDARDS

These products meet and exceed the following codes and standards:

- ASME A112.18.1
- CSA B125
- ASSE1016



IMPORTANT: These measurements are subject to change or cancellation. No responsibility is assumed for use of superseded or voided pages.