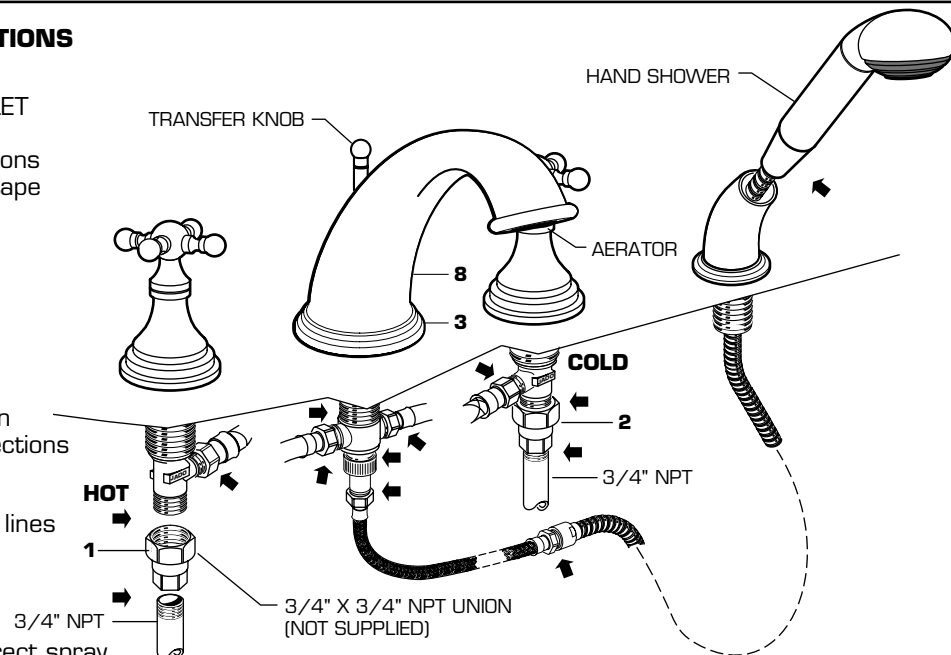


4 MAKE WATER SUPPLY CONNECTIONS

- Connect HOT water supply to LEFT INLET UNION (1) and COLD water supply to RIGHT INLET UNION (2). Pipe connections are 3/4" NPT. Use sealant or Teflon tape on pipe connections.
Do not solder directly to valve body.



IMPORTANT: It is strongly recommended that access be provided for all enclosed mechanical parts to this system.

4A TEST INSTALLED FAUCET

- Remove AERATOR from FAUCET.
- With HANDLES in OFF position, turn on WATER SUPPLIES and check all connections for leaks.
- Operate both HANDLES to flush water lines thoroughly.
- Replace AERATOR.
- Lift HAND SHOWER from HOLDER, direct spray into tub. Lift TRANSFER KNOB to check HAND SHOWER and HOSES for leaks.
- Turn handles "off" and replace HAND SHOWER.

5 HELPFUL HINTS FOR CLEANING AND MAINTENANCE

The solid brass product you have just purchased has been designed to give you years of beauty and service. It is important to bring to your attention proper care and maintenance procedures, which will ensure its lasting beauty.

- First and foremost, it is important (as it is with any fine piece of jewelry or furniture) that the product be wiped clean and dry with a soft damp cloth after every use.
- Second, under no circumstances should an abrasive cleaner or combination cleaner/polish be used on JADO products. The abrasive nature of such products will eventually destroy the finish and void the warranty.
- In the event of stubborn blemishes shown on the finish, we recommend use of Windex window cleaner with a soft cloth, but we do not recommend it be used on an everyday basis.
- It is important to note that it is normal to expect signs of usage over time.

Thank you for selecting JADO for your home.

TO THE PURCHASER OF JADO BRASS PRODUCTS

Attention installer:
Please leave This Pamphlet for The Owner

JADO FAUCET LIFETIME FUNCTION AND FINISH LIMITED WARRANTY

JADO Bathroom & Hardware Manufacturing Corp. provides the following warranties only to the first residential owner of our products.

FINISHES
JADO warrants this product to be free from defects in materials or workmanship for as long as the original consumer purchaser owns their home.

JADO will provide, free of charge, at its sole option, replacement part(s) or product (or if no longer available, a comparable product) to replace those which have proven defective in materials or workmanship.

Proof of purchase (original sales receipt) from the original consumer purchaser must be made available to JADO for all limited warranty claims. This limited warranty is non transferable. It does not apply in the event of product damage due to the use of other than genuine JADO replacement parts, installation error, abuse, misuse, or improper care and maintenance (whether performed by a plumber, contractor, service provider or member of the purchaser's household). The limited warranty excludes damage due to aggressive air or water conditions, or harsh or abrasive cleaners and/or materials. This limited warranty excludes all industrial, commercial and business usage, whose purchasers are hereby extended a two year limited warranty (with the exception of solenoid valves and other electronic components which carry a one year limited warranty) applying to all other terms of this limited warranty except duration. This limited warranty does not cover labor charges incurred and/or damages sustained in installation, repair or replacement, nor incidental or consequential damages, all of which are expressly disclaimed. This limited warranty is applicable only to JADO faucets manufactured after June 1, 1996 and installed in the United States and/or Canada.

This limited warranty gives the original consumer purchaser of an JADO faucet specific legal rights which may vary from state to state or from province to province. This limited warranty does not cover any liability for consequential or incidental damages, all of which are hereby expressly disclaimed, or the extension beyond the duration of this limited warranty of any implied limited warranties, including those of merchantability or fitness for an intended purpose. In some states or provinces the exclusion or limitation of incidental or consequential damages is not allowed, so those exclusions may not apply to you.

POLISHED BRASS AND CUSTOM FINISH WARRANTY: A 1 YEAR LIMITED FINISH WARRANTY from date of purchase is provided to the first residential owner against defects in materials and workmanship. Due to the ever-changing finish of Patina products, the finish warranty is excluded. Warranty shall not include problems related to the installation of the product.

MECHANICAL
MECHANICAL WARRANTY: A LIFETIME LIMITED WARRANTY is provided to the first residential owner on parts to be free from failure related to defects in materials and workmanship but not installation.

CONDITIONS TO WARRANTIES
JADO Bathroom & Hardware Manufacturing Corp. places the following conditions on its finish and mechanical warranties to the first residential owner only. JADO finish and mechanical warranties are limited to products correctly installed and used in a residential environment. JADO warranties exclude General Finishes, Polished Brass and Custom Finishes exposed to marine environment and direct exposure to sunlight. JADO warranties will not assume liability for damage due to abuse, mishandling, incorrect installation, improper maintenance, or deterioration due to normal use.

JADO will not be liable for labor or other costs relating to the sale, installation, or replacement of their products. In the event of a defect in any JADO product covered by this warranty, the product must be returned to the dealer where originally purchased along with proof of purchase.

JADO's obligation under the warranty shall be limited to the repair or exchange of any product which has been determined by JADO to be defective after appropriate examination.

109140

NOTICE: JADO products conform to industry requirements of water conservation under the ASTM / ANSI A112.18.1M-1994 plumbing code. Lavatory, bidet, wet bar and kitchen faucet sets have a maximum flow rate of 2.2GPM. Shower heads, hand showers and body sprays have a maximum flow rate of 2.5GPM.

The state of California has mandated under Proposition #65 that manufactures of products, including faucets which come into contact with potable water, must warn the consumer if the product contains materials listed by the state as a carcinogen or reproductive toxin. Lead, which is contained in all brass faucets in limited amounts appears on the State's list.

Preliminary industry tests have indicated that users of faucets made from brass face no significant danger, however, California Proposition #65 requires that we provide you with the following notice:

Warning: This product contains an element known to the State of California to cause cancer or reproductive harm.

JADO BATHROOM AND HARDWARE MFG. CORP.
7845 East Paradise Lane
Scottsdale, AZ 85260

JADO

Products

New Classic

Product Numbers

888/414/...

888/814/...

Roman Tub Fillers with Hand Shower Installation Instructions

To ensure that your installation proceeds smoothly--please read these instructions carefully before you begin.

Luxury Faucets and Accessories

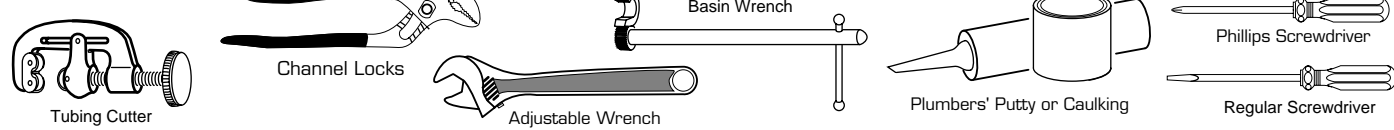


JADO USA
7845 East Paradise Lane
Scottsdale, AZ 85260
Phone: (800) 227-2734
Fax: (800) 552-JADO(5236)
www.jadousa.com

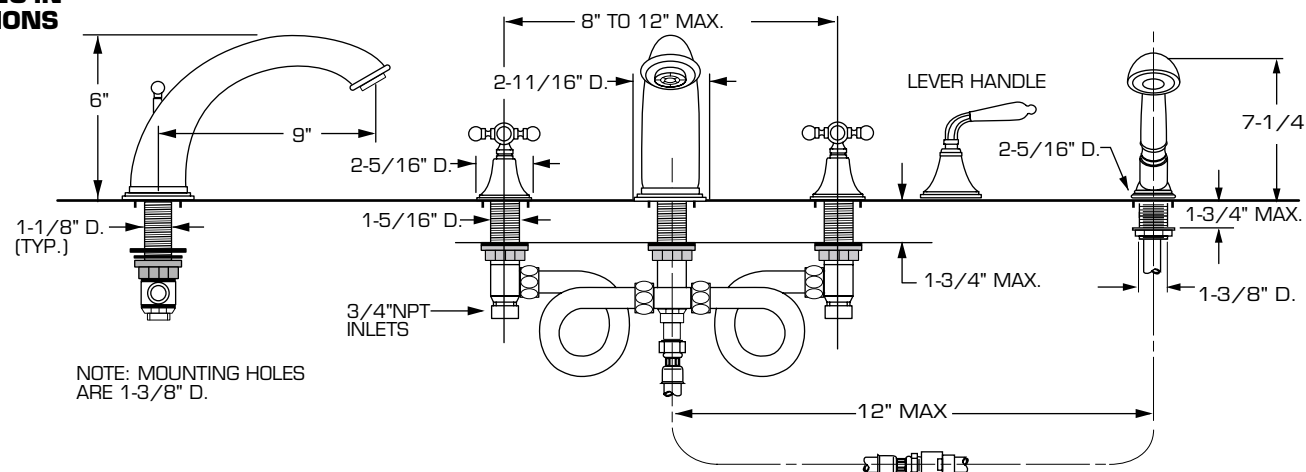
©JADO USA 2003

109140

TOOLS REQUIRED



ROUGHING-IN DIMENSIONS



NOTE: MOUNTING HOLES ARE 1-3/8" D.

1 SPOUT ASSEMBLY

CAUTION Turn off hot and cold water supplies before beginning.

IMPORTANT NOTICE TO THE INSTALLER!
Please check with your local Code Authority for acceptable installation requirements for this Roman Tub set with hand shower. Some local codes may require a vacuum breaker and/or a pressure balanced mixing valve to be installed in conjunction with this product.

Note: All deck mounted Roman tub sets must be installed with the tub spout outlet at least two (2) inches above the flood level rim of the tub. See Figure 1a.

- Insert SPOUT SHANK (1) through center hole of sink or mounting surface. Install RUBBER WASHER (2) into SPOUT ESCUTCHEON BASE (3).
- Assemble RUBBER WASHER (4), FIBER WASHER (5) and LOCKNUT (6) onto threads of SPOUT SHANK (1) from underside of lavatory or mounting surface.
- Align SPOUT (8, 9, or 10) and tighten LOCKNUT (6).

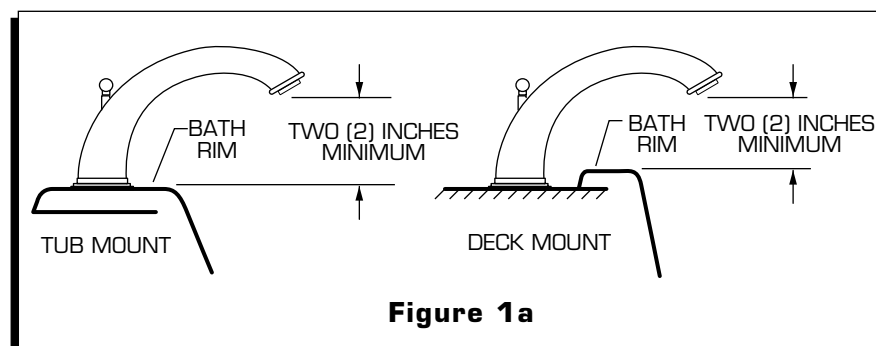
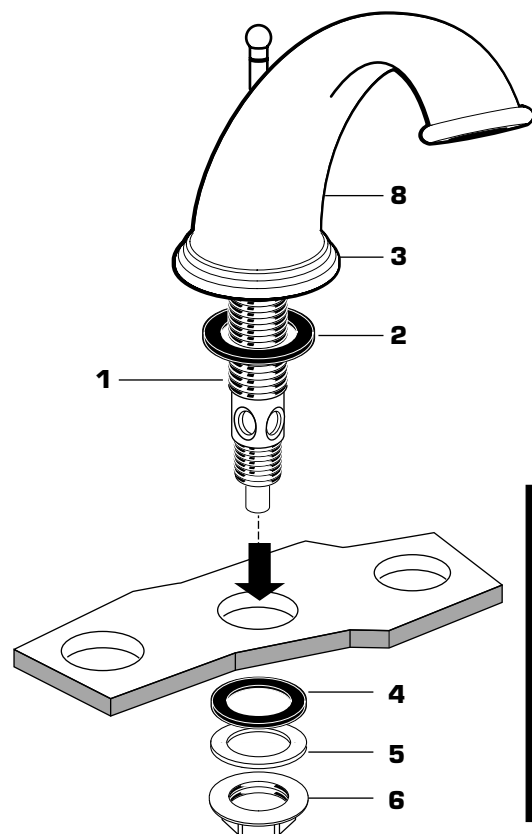


Figure 1a

109140

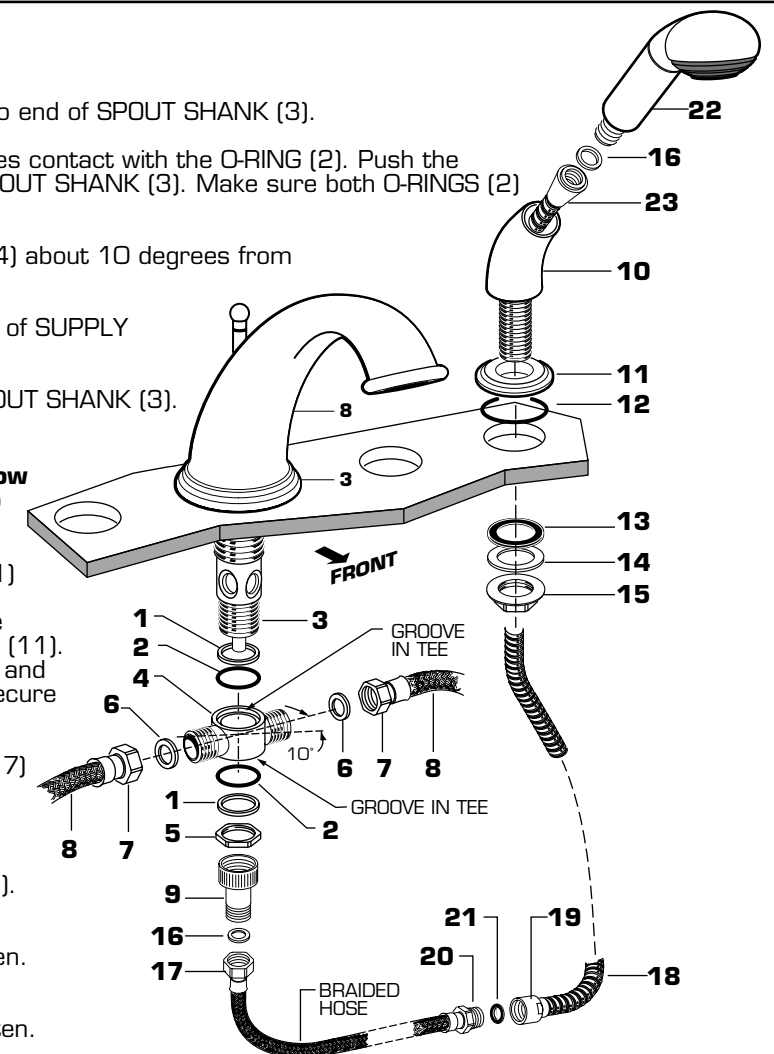
2 TEE AND HOSE ASSEMBLY

- Push one RING WASHER (1) and one O-RING (2) onto end of SPOUT SHANK (3).
- Slide the TEE (4) onto SPOUT SHANK (3) until it makes contact with the O-RING (2). Push the other O-RING (2) and RING WASHER (1) onto the SPOUT SHANK (3). Make sure both O-RINGS (2) are seated into grooves of TEE (4).
- Thread LOCK NUT (5) onto SHANK (3). Rotate TEE (4) about 10 degrees from center and tighten securely.
- Insert FIBER WASHERS (6) into COUPLING NUTS (7) of SUPPLY HOSES (8) and tighten.
- Thread BACK FLOW PREVENTER (9) onto end of SPOUT SHANK (3).

2A HAND SHOWER ASSEMBLY

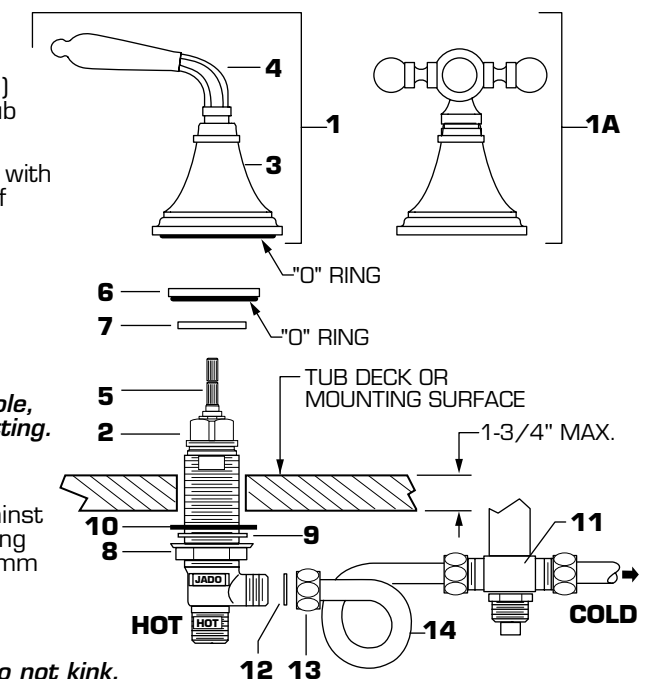
Note: Back flow prevention and 2.2 GPM flow restrictions are included with all Roman tub sets with hand shower

- Drop SPRAY HOLDER (10) through ESCUTCHEON (11) and into the fourth hole of the tub ledge (12" max from SPOUT center) directed towards tub center. Be sure O-RING (12) is properly seated in ESCUTCHEON (11). Install RUBBER WASHER (13), FIBER WASHER (14) and LOCKNUT (15) from underside of mounting ledge. Secure SPRAY HOLDER (10) by tightening LOCKNUT (15).
- Add SEAL WASHER (16) and connect COUPLING NUT (17) of BRAIDED HOSE to outlet nipple at the bottom of BACK FLOW PREVENTER (9). Tighten firmly.
- Slip SHOWER HOSE (18) with COUPLING NUT (19) through SPRAY HOLDER (10) and ESCUTCHEON (11).
- Install SEAL (21) into COUPLING NUT (19). Connect COUPLING NUT (19) to HOSE NIPPLE (20) and tighten.
- INSTALL second SEAL (16) and connect HAND SHOWER (22) to SPRAY HOSE END (23). Hand tighten.



3 INSTALL VALVE BODIES

- HANDLE ASSEMBLIES (1, 1A) are installed on VALVE BODIES (2) and must be removed to install VALVE BODIES (2) from under tub deck or mounting surface.
- To remove HANDLE ASSEMBLY (1), unthread HANDLE BASE (3) with LEVER (4) from VALVE BODY (2). Pull HANDLE ASSEMBLY (1) off VALVE STEM (5).
- Unthread and remove MOUNTING RING (6) and SPACER (7).
- Thread LOCKNUT (8) to bottom of VALVE BODY (2). Make sure FIBER WASHER (9) and RUBBER WASHER (10) are installed. Insert VALVE BODY (2) through mounting hole from underside of tub deck or mounting surface.
Note: VALVE BODY marked Hot is installed in the left Mtg. hole, VALVE BODY marked Cold in the right when facing front of fitting. Maximum mounting surface thickness is 1-3/4".
- From top install SPACER (7) onto VALVE BODY (2). Thread MOUNTING RING (6) on VALVE BODY (2) until seated tightly against SPACER (7). Set VALVE BODIES (2) so that their outlets are facing toward SPOUT TEE (1) and then tighten LOCKNUT (8) using 35mm or adjustable wrench.
- Insert FIBER WASHERS (12) into COUPLING NUTS (13) of SUPPLY HOSES (14) and tighten making water tight connection.
Important: Loop SUPPLY HOSES (14) as illustrated so they do not kink.
- **INSTALL HANDLES (LEVER and CROSS)**
Turn VALVE BODIES (2) to off position. Align HANDLES as shown or as desired and install HANDLE ASSEMBLY (1, 1A) onto VALVE STEM (5). Thread HANDLE BASE (3) onto VALVE BODY (2) until seated tightly against mounting surface.



109140