



Features:

- Cast brass spout and valves
- Ceramic disc valve cartridge
- Flexible Hose Connections for 8"-12" installations
- Available in 5 handle options
- Available with or without Hand Shower
- Hand Shower features 6 1/2 ft (2m) metal hose

Pictured: 853/338 Roman Tub Set with Hand Shower with Cross Handles

Maximum Flow Rate: 2.5 GPM (9.5L/min)

	Handle Type	Product Number
Roman Tub Set	Cross	853/038
Roman Tub Set	Straight Lever	853/048
Roman Tub Set	Curved Lever	853/058
Roman Tub Set	Porcelain Lever	853/068
Roman Tub Set	Crystal Lever	853/078
Roman Tub Set w/ Hand Shower	Cross	853/338
Roman Tub Set w/ Hand Shower	Straight Lever	853/348
Roman Tub Set w/ Hand Shower	Curved Lever	853/358
Roman Tub Set w/ Hand Shower	Porcelain Lever	853/368
Roman Tub Set w/ Hand Shower	Crystal Lever	853/378



Available Finishes:	Finish Code
Polished Chrome	100
Old Bronze	105
UltraBrass	113
Brushed Nickel	144
Platinum Nickel	150
Diamond (PVD)	167
Antique Nickel	444

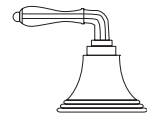
Porcelain Finishes:	Finish Code
Brushed Nickel/White Porcelain	124
Polished Chrome/White Porcelain	128
Platinum Nickel/White Porcelain	152

ROUGH-IN DIAGRAM SHOWN ON REVERSE SIDE

Handle Options:



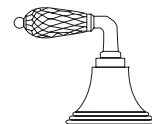
Curved Lever



Straight Lever



Porcelain Lever



Crystal Lever




Cross Handle

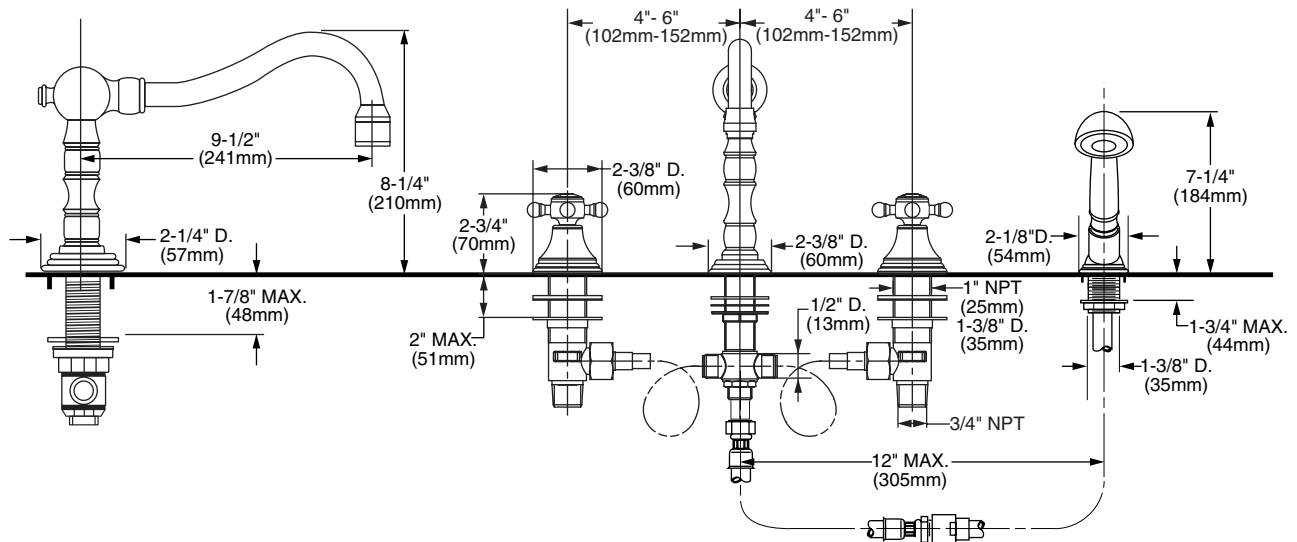
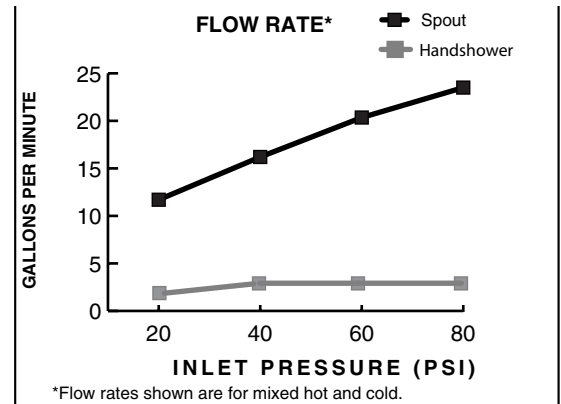
CODES & STANDARDS

These products meet and exceed the following codes and standards:

ASME A112.18.1

CSA B125

 Meets the American Disabilities Act Guidelines and **ANSI A117.1** Requirements for the physically challenged.



IMPORTANT: These measurements are subject to change or cancellation. No responsibility is assumed for use of superseded or voided pages.