

JADO

Paul-Ehrlich-Straße 5
63322 Rödermark
Telefon: 06074/896-01
Telefax: 06074/896-169
E-Mail: info@jado.com
Homepage: www.jado.com

Kundendienst für Deutschland
Pro-Service
Am Probsthof 15
53121 Bonn
Telefon: 01805/521580
Telefax: 01805/521589
E-Mail: pro-service.info@aseur.com
Homepage: www.pro-service.info

JADO

Bathroom and Hardware
Manufacturing Corp.
7845 East Paradise Lane
Scottsdale, AZ 85260

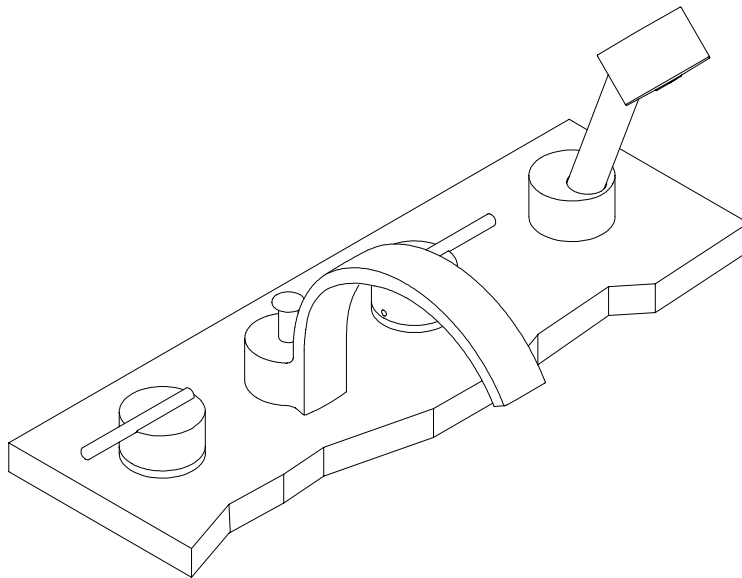
Phone: 480-951-2675
800-227-2734
Fax: 480-951-2670
800-552-JADO

Homepage: www.JadoUSA.com

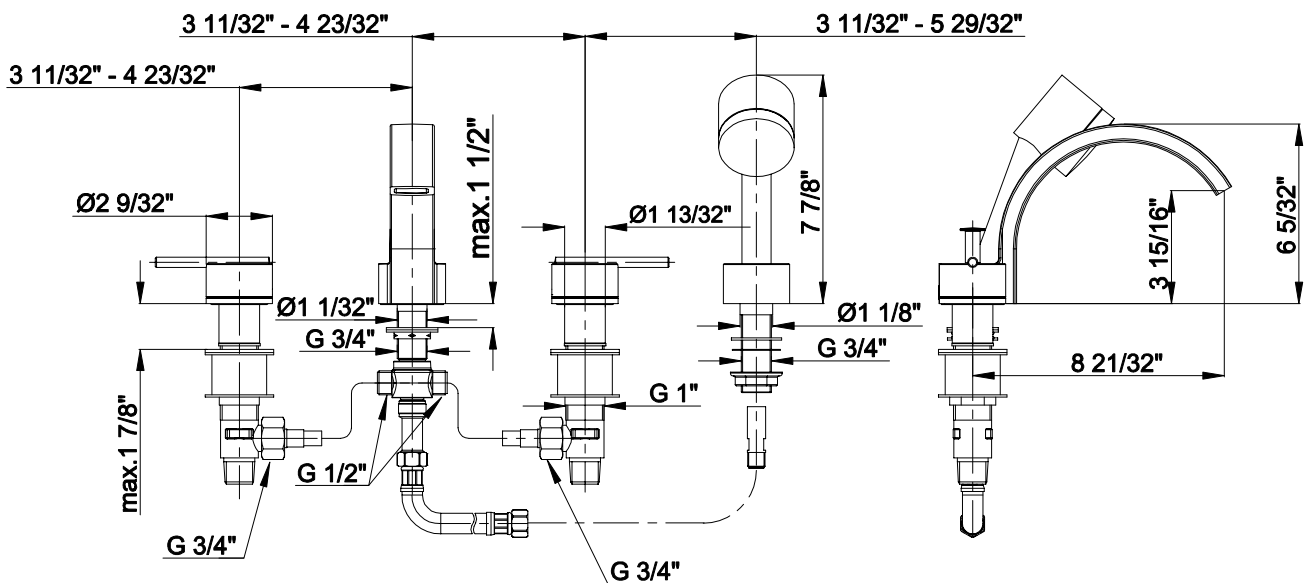
Montageanleitung
Installation instructions
Instructions de montage
Instrucciones de Montaje
Istruzioni di montaggio

Serie Glance

831/084/...
831/083/...

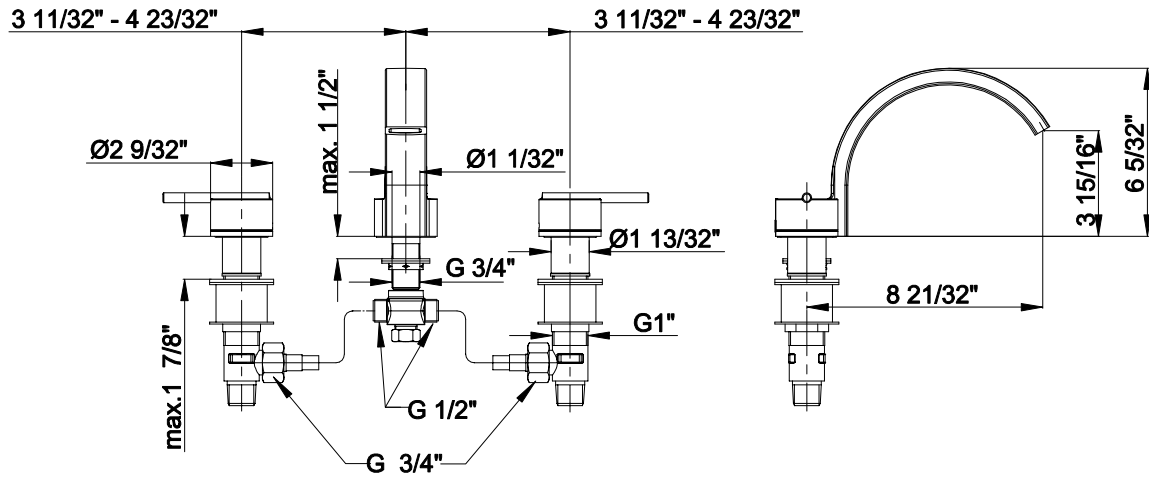


831/084/...

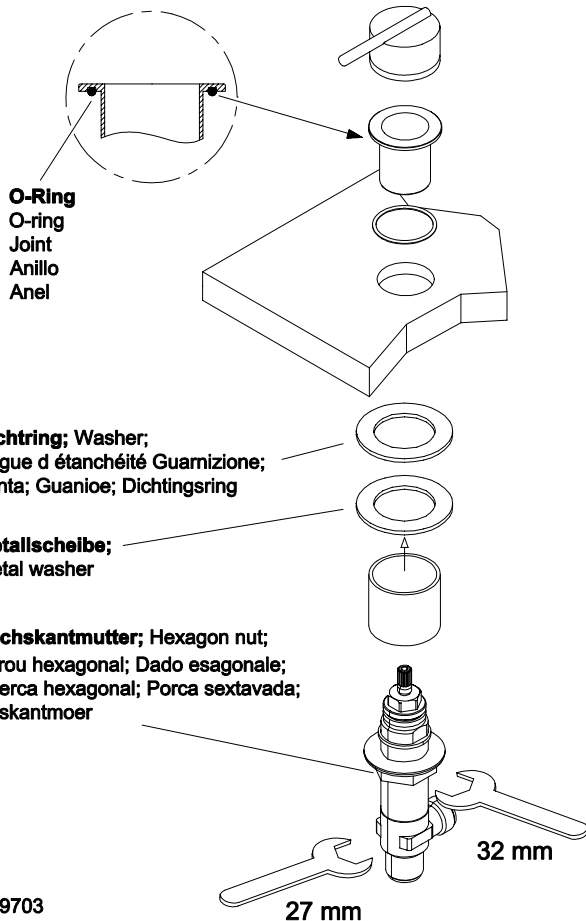


109703

831/083/...

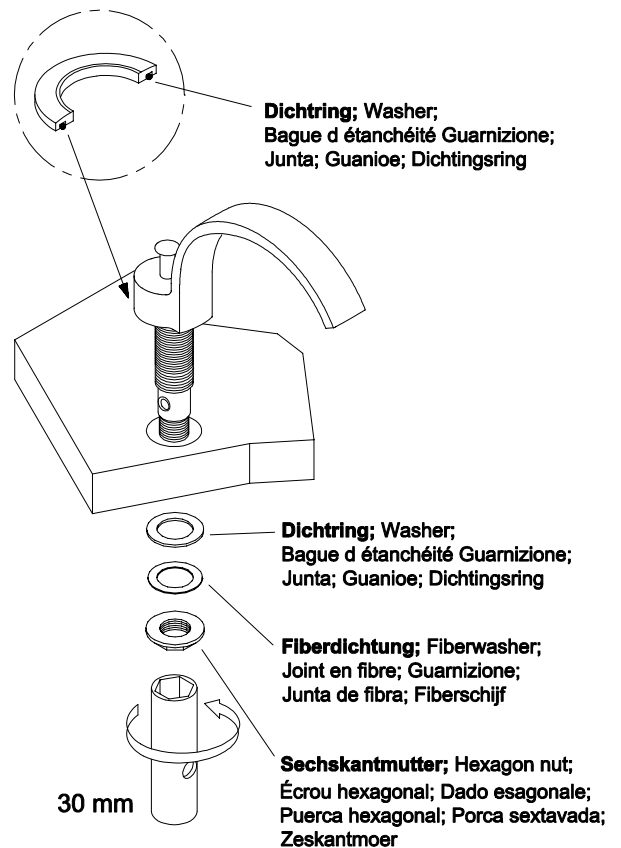


1

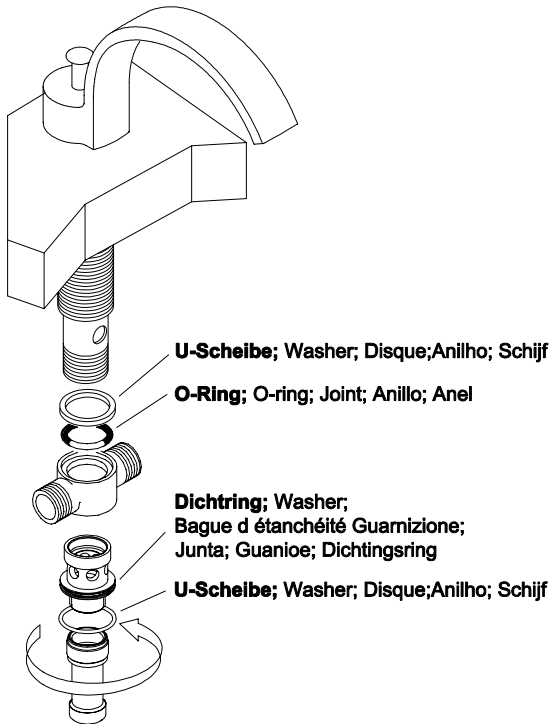


109703

2

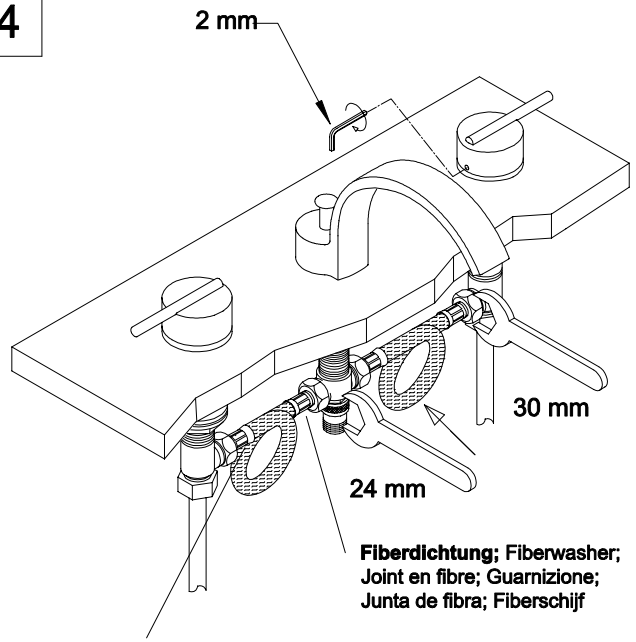


3



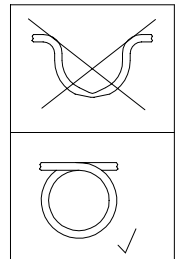
U-Scheibe; Washer; Disque; Anilho; Schijf
O-Ring; O-ring; Joint; Anillo; Anel
Dichtring; Washer; Bague d étanchéité; Guarnizione; Junta; Guanioe; Dichtingsring
U-Scheibe; Washer; Disque; Anilho; Schijf

4

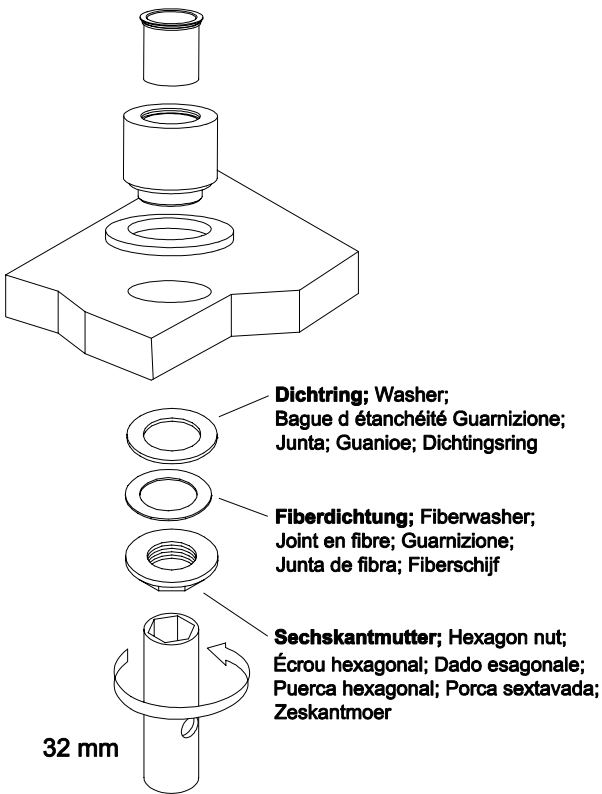


Fiberdichtung; Fiberwasher; Joint en fibre; Guarnizione; Junta de fibra; Fiberschijf

Fiberdichtung; Fiberwasher; Joint en fibre; Guarnizione; Junta de fibra; Fiberschijf



5



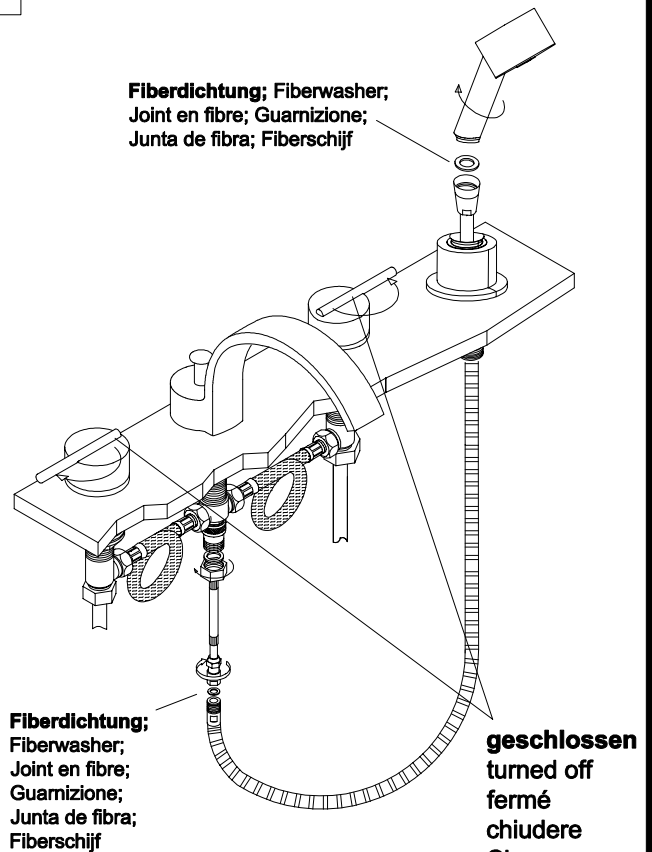
Dichtring; Washer; Bague d étanchéité; Guarnizione; Junta; Guanioe; Dichtingsring

Fiberdichtung; Fiberwasher; Joint en fibre; Guarnizione; Junta de fibra; Fiberschijf

Sechskantmutter; Hexagon nut; Écrou hexagonal; Dado esagonale; Puerca hexagonal; Porca sextavada; Zeskantmoer

32 mm

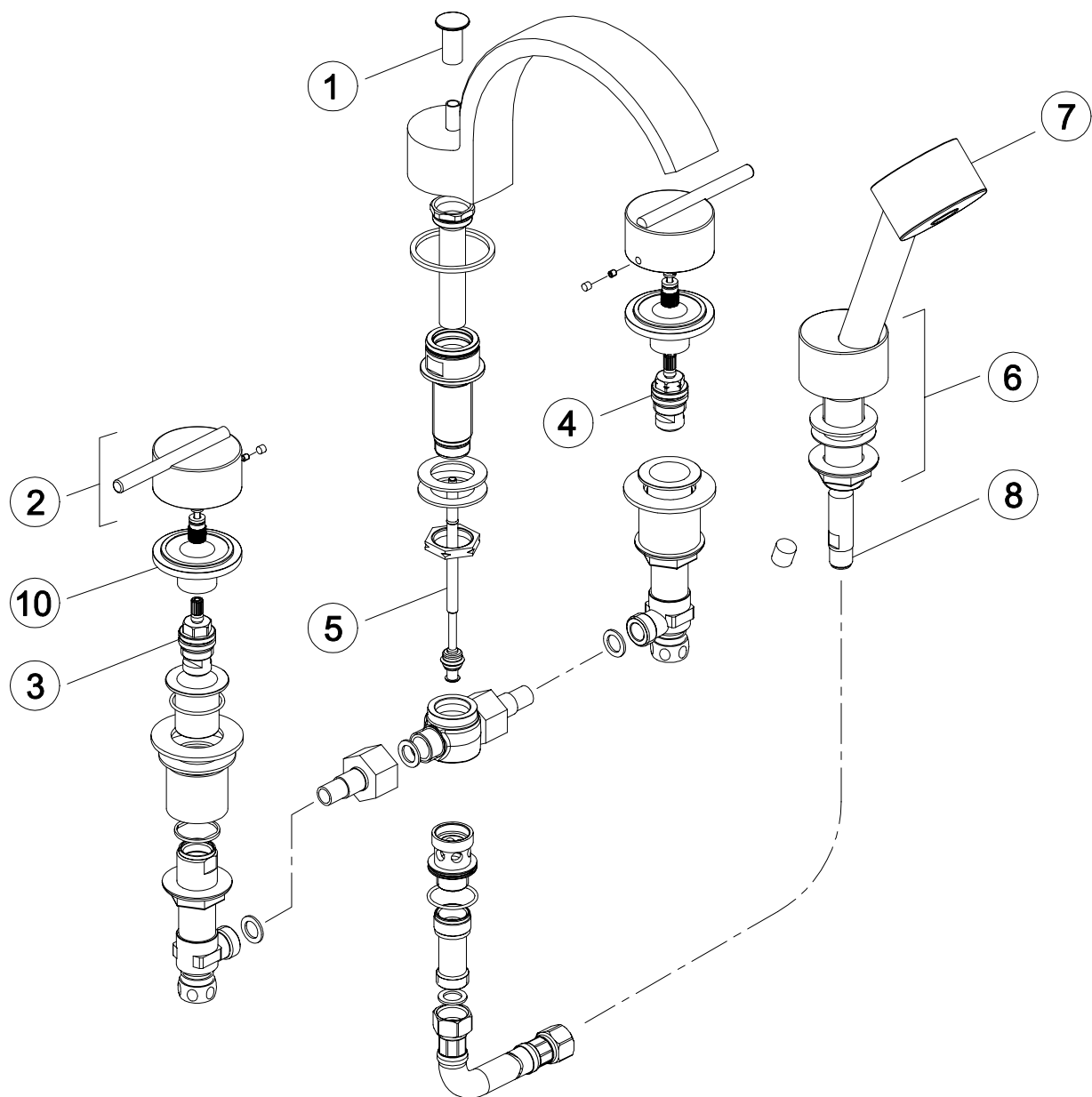
6



Fiberdichtung; Fiberwasher; Joint en fibre; Guarnizione; Junta de fibra; Fiberschijf

Fiberdichtung; Fiberwasher; Joint en fibre; Guarnizione; Junta de fibra; Fiberschijf

geschlossen; turned off; fermé; chiudere; Cierre; fechado; Dicht



- | | | |
|----|-----------------|--|
| 1 | 013/600/185/YYY | Pop up knob $\varnothing 22 \times 30.5$ |
| 2 | 013/600/183/YYY | Control handle |
| 3 | 010/704/000/999 | Cartridge 3/4" , counter clockwise on |
| 4 | 010/705/000/999 | Cartridge 3/4" , clockwise on |
| 5 | 013/600/186/YYY | Changeover |
| 6 | 013/600/187/YYY | Hand spray holder |
| 7 | 013/600/299/YYY | Hand spray |
| 8 | 013/132/000/YYY | Spray hose |
| 9 | 010/316/000/999 | Flex hose M15x1 x 1/2" x 600mm |
| 10 | 013/600/184/YYY | Rosette $\varnothing 58$ |

Kundendienst für Deutschland
 Pro-Service
 Am Probsthof 15
 53121 Bonn
 Telefon: 01805/521580
 Telefax: 01805/521589
 E-Mail: pro-service.info@aseur.com
 Homepage: www.pro-service.info