



Features:

- Cast brass spout and valves
- Ceramic disc valve cartridge
- Flexible Hose Connections for 8" -12" installations
- Available with Cross or Lever Handles
- Available with or without Hand Shower
- Hand Shower features 6-1/2 ft (2m) metal hose

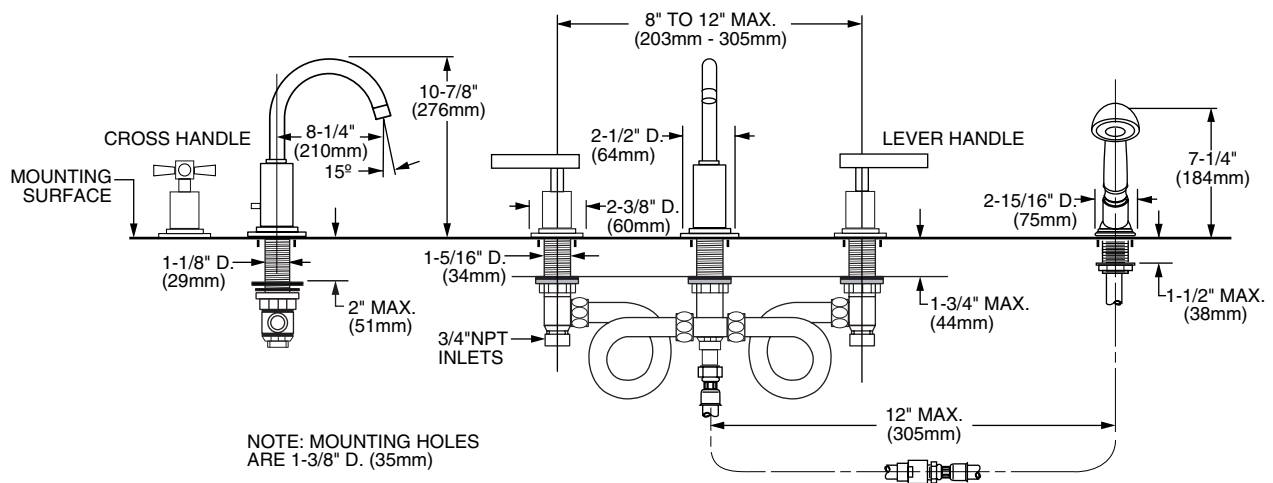
Pictured: 826/084 Roman Tub Set with Hand Shower with Lever Handles

Maximum Hand Shower Flow Rate: 2.5 GPM (9.5L/min)

	Handle Type	Product Number
Roman Tub Set	Cross	826/183
Roman Tub Set	Lever	826/083
Roman Tub Set with Hand Shower	Cross	826/184
Roman Tub Set with Hand Shower	Lever	826/084



Available Finishes:	Finish Code
Polished Chrome	100
Brushed Nickel	144
Platinum Nickel	150
UltraSteel (PVD)	355



IMPORTANT: These measurements are subject to change or cancellation. No responsibility is assumed for use of superseded or voided pages.

CODES & STANDARDS

These products meet and exceed the following codes and standards:

ASME A112.18.1

CSA B125



Meets the American Disabilities Act Guidelines and **ANSI A117.1** Requirements for the physically challenged.

