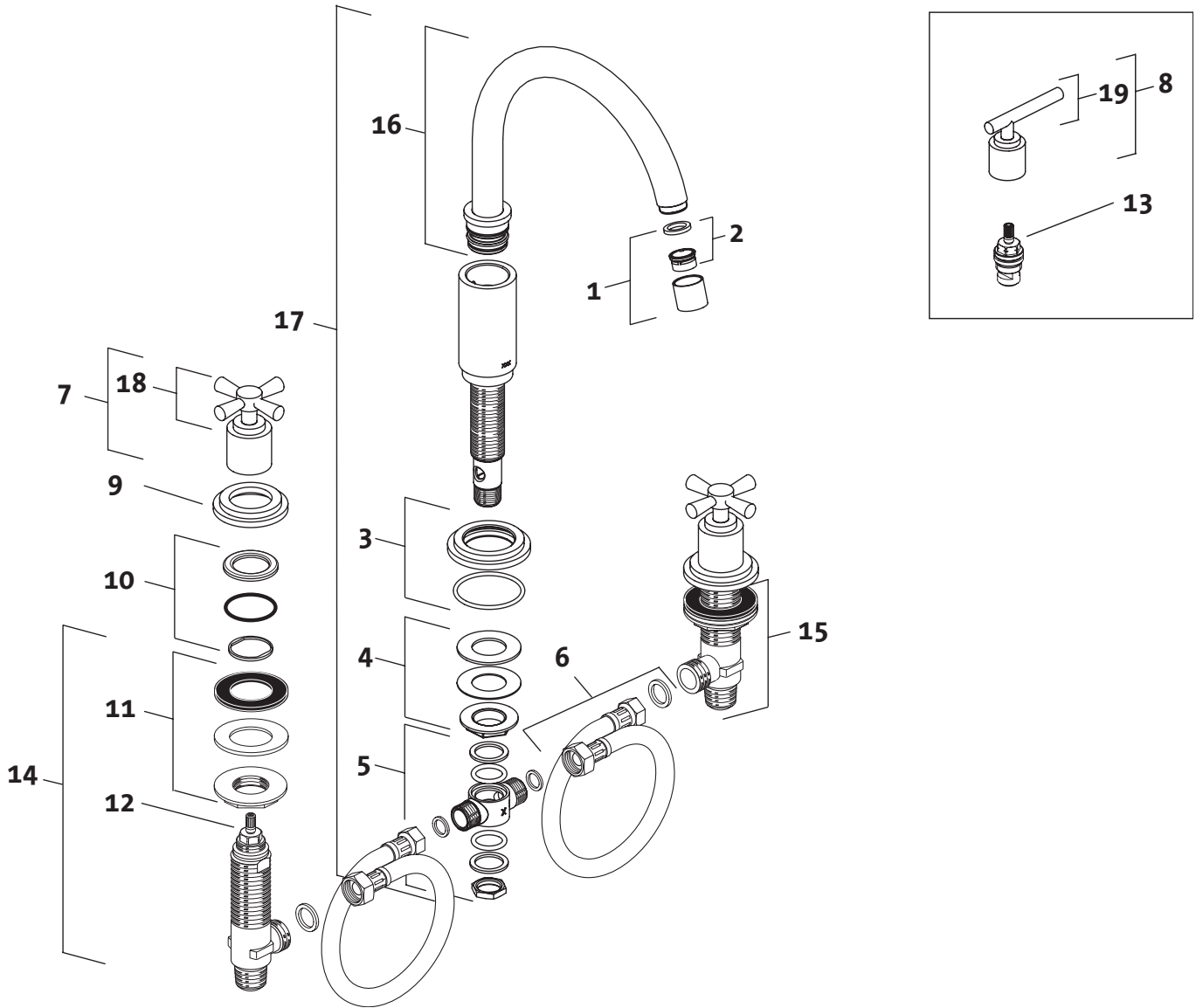


New Haven

Roman Tub Set

826/083/... 826/183/...

JADO



Replace "XXX" with the appropriate finish code:

Polished Chrome = 100, Brushed Nickel = 144, Platinum Nickel = 150, UltraSteel = 355

Example Repair Part order:

H961603.100 in Polished Chrome
H961603.355 in UltraSteel

Pos.	Description	Repair Part Number	Delivery quantity	Pos.	Description	Repair Part Number	Delivery quantity
1	Aerator Assembly	H961603.XXX	1 Set	12	3/4" Cartridge (Counterclockwise on)	H960001.191	1 Piece
2	Aerator	H960899.191	1 Piece	13	3/4" Cartridge (Clockwise on)	H960170.191	1 Piece
3	Rosette	H960377.XXX	1 Piece	14	3/4" Side Valve Rough (Counterclockwise on)	H960743.191	1 Piece
4	Mounting Kit	H960353.191	1 Set	15	3/4" Side Valve Rough (Clockwise on) - Levers	H960893.191	1 Piece
5	Spout Tee	H960128.191	1 Piece	16	Spout	H960610.XXX	1 Piece
6	Flex Hose	H960194.191	1 Piece	17	Spout Assembly	826016.XXX	1 Piece
7	Cross Handle Set	H960000.XXX	1 Set	18	Cross Handle Only	H961595.XXX	1 Piece
8	Lever Handle Set	H960378.XXX	1 Set	19	Lever Handle Only	H961596.XXX	1 Piece
9	Rosette	H961592.XXX	1 Piece				
10	Mounting Kit	H961541.191	1 Set				
11	Mounting Kit	H960294.191	1 Set				