



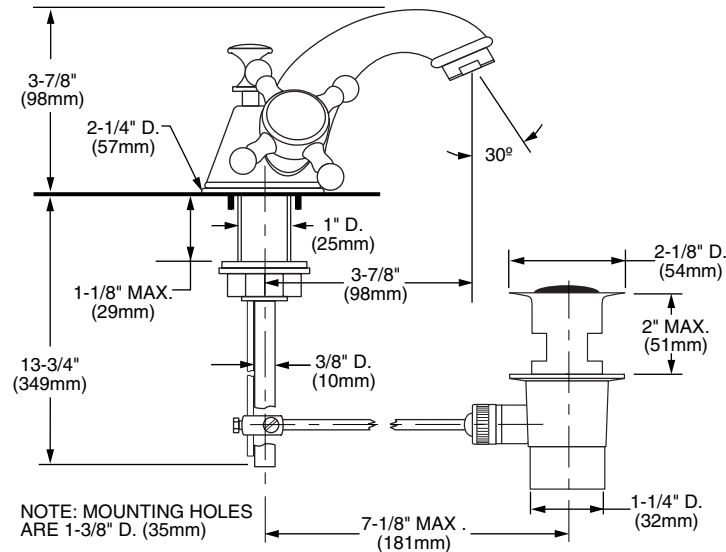
Features:

- Cast brass spout and side valves
- Ceramic disc valve cartridge
- Flexible Hose Connections for 6"-12" installations
- Includes 1 1/4" drain assembly
- Handles marked "Hot" and "Cold"
- Optional 4" center plate

Maximum Flow Rate: 2.2 GPM (8.3L/min)

	Handle Type	Product Number
Single Hole Faucet	Cross	850/908

Available Finishes:	Finish Code
Polished Chrome	100
Old Bronze	105
UltraBrass	113
Brushed Nickel	144
Platinum Nickel	150
Diamond (PVD)	167



IMPORTANT: These measurements are subject to change or cancellation. No responsibility is assumed for use of superseded or voided pages.

CODES & STANDARDS

These products meet and exceed the following codes and standards:

ASME A112.18.1

CSA B125

NSF 61/Section 9

