



Features:

- Cast brass spout and side valves
- Ceramic disc valve cartridge
- Flexible Hose Connections for 6" -12" installations
- Available with Cross or Lever Handles
- Includes 1-1/4" drain assembly

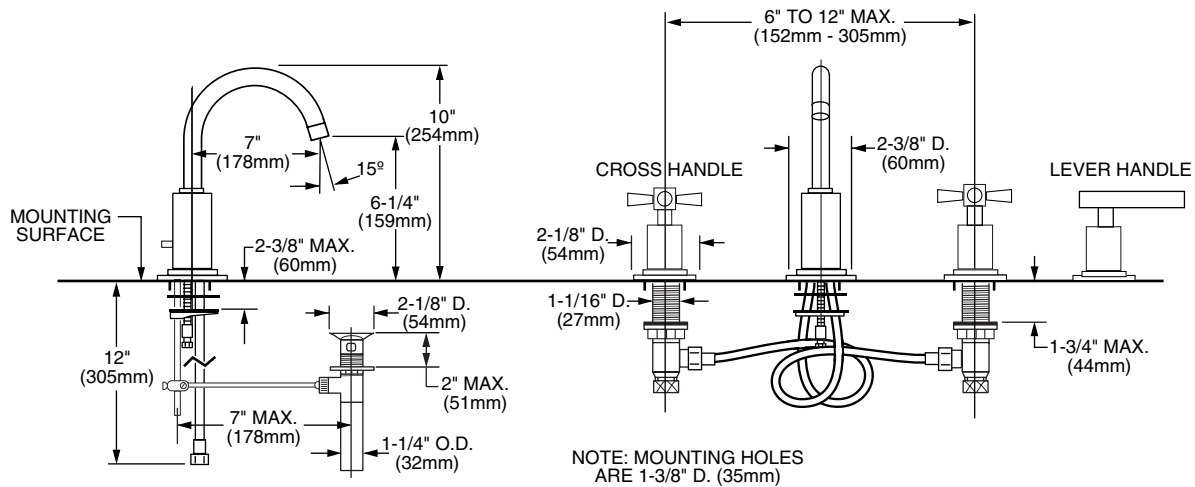
Pictured: 826/103 Widespread Faucet with Cross Handles

Maximum Flow Rate: 2.2 GPM (8.3L/min)

| | Handle Type | Product Number |
|-------------------|-------------|----------------|
| Widespread Faucet | Cross | 826/103 |
| Widespread Faucet | Lever | 826/003 |



| Available Finishes: | Finish Code |
|---------------------|-------------|
| Polished Chrome | 100 |
| Brushed Nickel | 144 |
| Platinum Nickel | 150 |
| UltraSteel (PVD) | 355 |



IMPORTANT: These measurements are subject to change or cancellation. No responsibility is assumed for use of superseded or voided pages.

CODES & STANDARDS

These products meet and exceed the following codes and standards:

ASME A112.18.1

CSA B125

NSF 61/Section 9



Meets the American Disabilities Act Guidelines and **ANSI A117.1** Requirements for the physically challenged.

