



Features:

- Cast brass spout and side valves
- Ceramic disc valve cartridge
- Flexible Hose Connections for 6"-12" installations
- Available with Cross or Lever Handles
- Includes 1-1/4" drain assembly

Pictured: 815/111 Widespread Faucet with Cross Handles

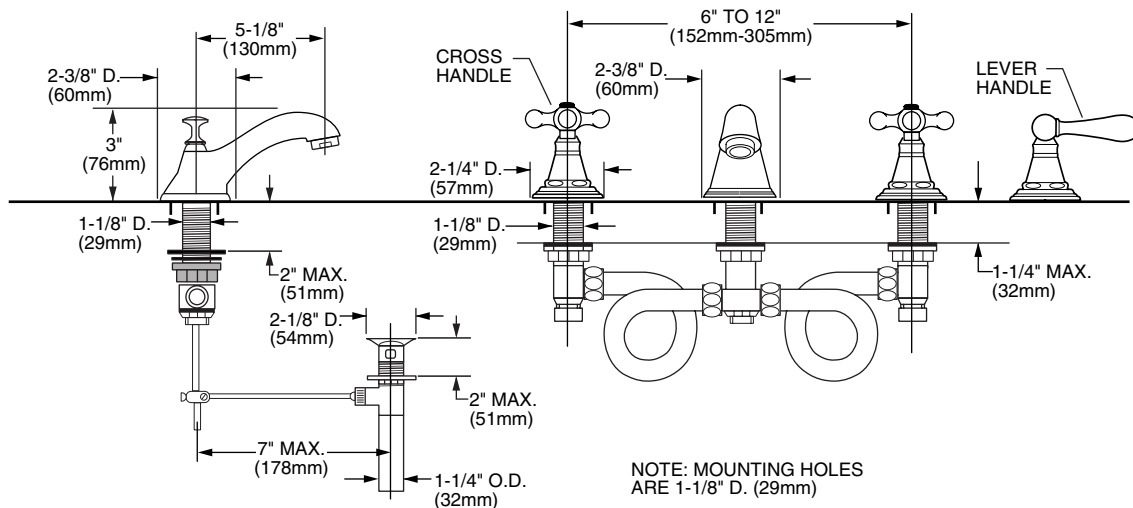
Maximum Flow Rate: 2.2 GPM (8.3L/min)

Kit Options	Handle Type	Product Number
Widespread Faucet	Cross	815/111
Widespread Faucet	Lever	815/113



Available Finishes:	Finish Code
Polished Chrome	100
Polished Brass	101
Brushed Nickel	144

Separate Options	Handle Type	Product Number
Base Set - Less Handles		815/110
Handle Only - Hot	Cross	815/001
Handle Only - Cold	Cross	815/011
Handle Only	Lever	815/003



IMPORTANT: These measurements are subject to change or cancellation. No responsibility is assumed for use of superseded or voided pages.

CODES & STANDARDS

These products meet and exceed the following codes and standards:

ASME A112.18.1

CSA B125

NSF 61/Section 9



Meets the American Disabilities Act Guidelines and **ANSI A117.1** Requirements for the physically challenged.

