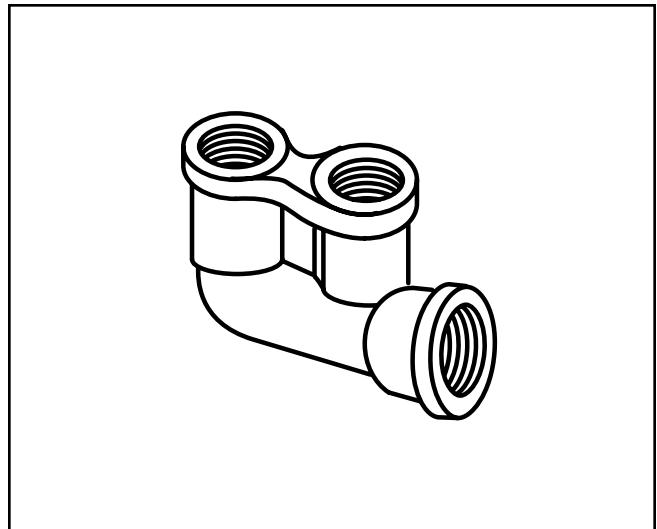


TWIN ELL, MODEL 5535.120

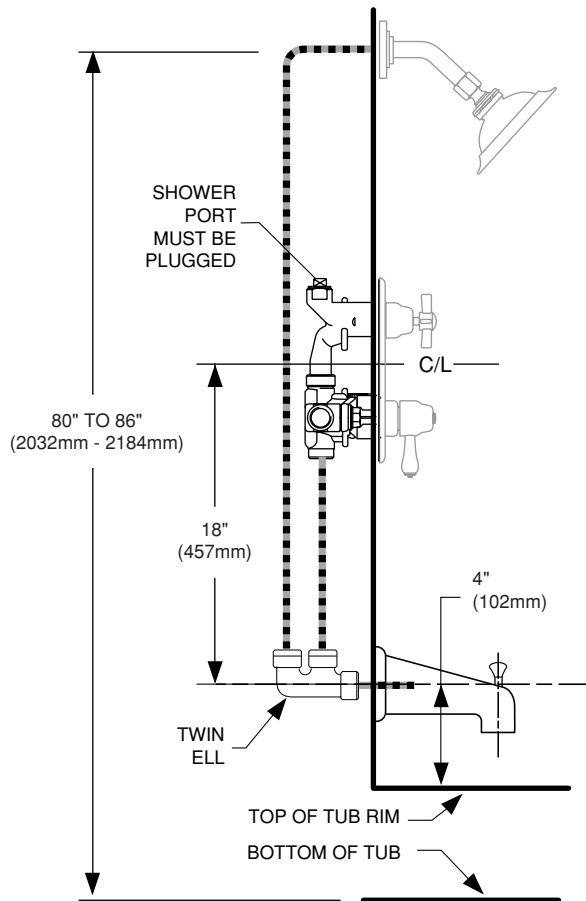
- Prevents water backflow to showerhead when filling tub
- For use with Thermostatic Valve in Bath/Shower
- Includes plaster guard which can serve as thin wall support



CODES AND STANDARDS

These products meet or exceed the following codes and standards:

ASME A112.18.1



IMPORTANT: WHEN NOT USING A DIVERter SPOUT A SEPARATE DIVERter VALVE MUST BE USED.

