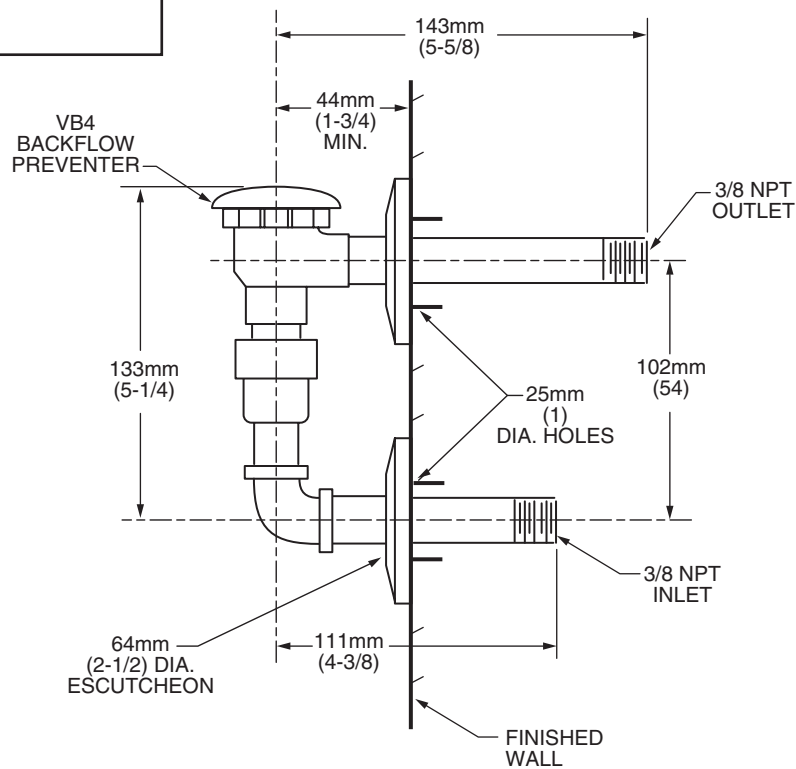


MODEL NUMBER:

- ☐ **7837.024 Vacuum Breaker**
Top outlet. 3/8" NPT nipples-to-wall for bottom inlet.



GENERAL DESCRIPTION:

Brass atmospheric vacuum breaker with top outlet to provide back flow protection. Union connection, 3/8" NPT ells and nipples to wall for bottom inlet and top outlet. 4" vertical centers. Brass wall escutcheons.

CODES AND STANDARDS

These products meet or exceed the following codes and standards:

ASSE 1001

SUGGESTED SPECIFICATION

Wall mounted brass vacuum breaker shall feature a top outlet with union and re-buildable back flow prevention. Shall feature 4" vertical centers and Polished Chrome finish. Fitting shall be American Standard Model# 7837.024.____.

PRODUCT FEATURES:

Brass Construction: Durable - excellent in high use applications.

Vacuum Breaker: Brass housing, ells and nipples with re-buildable back flow preventer.

Top Outlet: Wall mounted.

Polished Chrome Finish: Excellent in commercial applications.