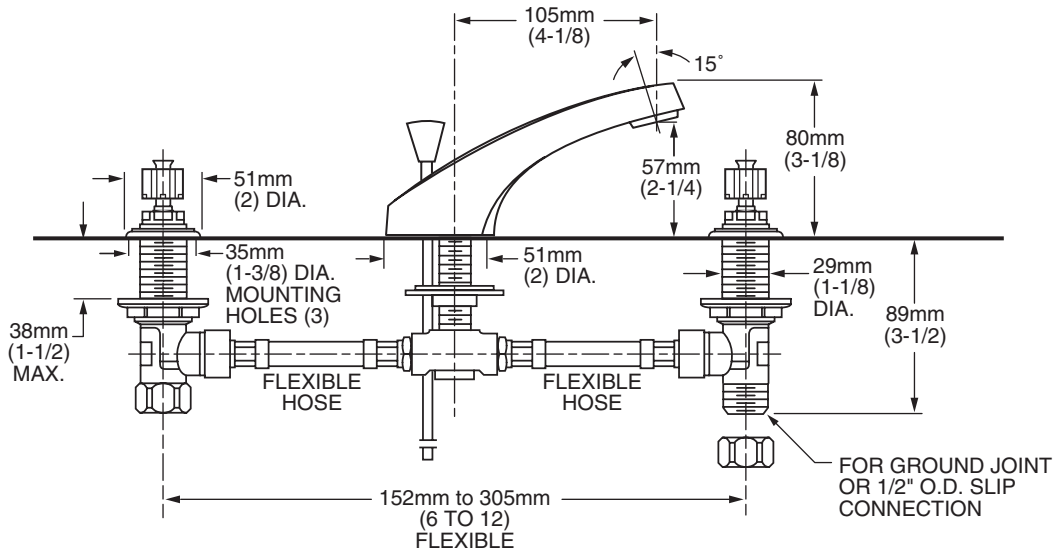


4801.000 Shown.

**MODEL NUMBER:**

- ❑ **4800.000 6"-12" Widespread Lavatory Faucet**  
Less Drain. Less handles.
- ❑ **4801.000 6"-12" Widespread Lavatory Faucet**  
With pop-up drain. Less handles.
- ❑ **4802.000 6"-12" Widespread Lavatory Faucet**  
With grid strainer drain. Less handles.

**Handles must be ordered separately.**



**GENERAL DESCRIPTION:**

Cast brass valve bodies with reinforced flexible hose connections for 6" to 12" (152mm to 305mm) installations. Amarilis 1/4 turn washerless ceramic disc valve cartridges - reversible for use with either lever or cross handles. Cast brass spout. One-half inch male inlet shanks with brass coupling nuts and shank nuts. All brass drain body with 1-1/4" (32mm) tailpiece. 2.2 gpm/8.3L/min. maximum flow rate.

**PRODUCT FEATURES:**

**Brass Construction:** Durable - Excellent in high use applications. Ideal for prolonged contact with water. Provides the finest surface for application of all colors and finishes.

**Ceramic Disc Valve Cartridges:** Assures a lifetime of drip-free performance.

**Low Lead:** Meets NSF Standard 61/Section 9 & Prop 65 lead requirements.

**Handle Configuration:** Full range of interchangeable fittings for residential and institutional applications.

**Choice of Finishes:** Available in Polished Chrome or Polished Brass (PVD).

**SUGGESTED SPECIFICATION:**

Two handle widespread lavatory faucet shall feature cast brass valve bodies with reinforced flexible hose connections for 6" to 12" installations. All brass shank nuts and coupling nuts. Shall also feature 1/4 turn washerless ceramic disc valve cartridges that are reversible for use with lever or cross handles. Fitting shall be American Standard Model # 480\_000.002 and handle kit # 0000.\_\_\_\_.

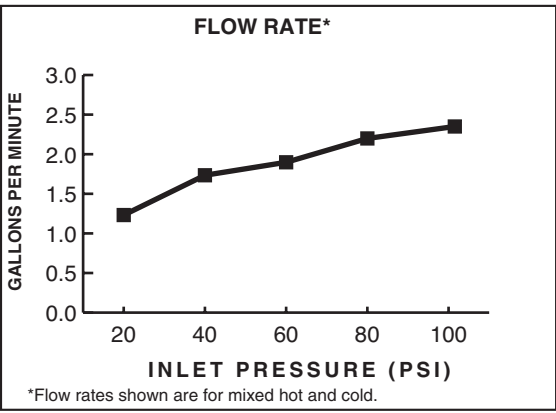


**HERITAGE**  
**TWO-HANDLE 6"- 12" WIDE SPREAD LAVATORY FAUCET**  
 WITH CONVENTIONAL SPOUT

**CODES AND STANDARDS**

These products meet or exceed the following codes and standards:

- ASME A112.18.1**
- CSA B 125**
- NSF 61/Section 9**



Product Number	Description	Finish Options	
		Polished Chrome	PVD Polished Brass
		002	099
4800.000	Lavatory faucet. Less drain. Less handles.		<b>N/A</b>
4801.000	Lavatory faucet. Pop-up drain. Less handles.		
4802.000	Lavatory faucet. Grid strainer drain. Less handles.		<b>N/A</b>

**N/A = NOT AVAILABLE**

**Handles must be ordered separately.**

To order **Less Handles** - Specify: 4 digit Style number followed by three zeros and 3 digit finish number.  
 Example 4800.000.002 = Lavatory faucet, Less drain in Polished Chrome finish.

The above fittings will accept the following Amarelis-Series handles.

372H 372V	352H 352V	342H 342V	102H 102V	112H

Meets the American Disabilities Act Guidelines and **ANSI A117.1** Requirements for the physically challenged.