

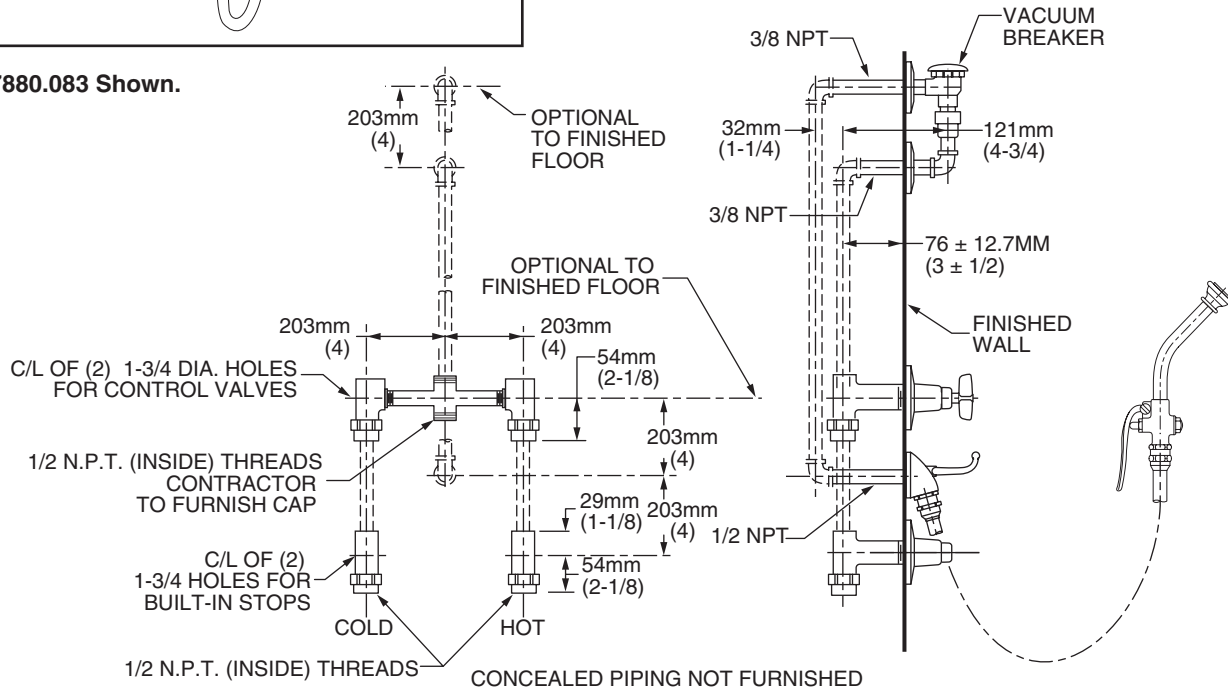
**7880.083 Shown.**

**MODEL NUMBER:**

☐ **7880.083 Bedpan Cleanser Assembly**

Includes Component parts:

- 6024.000 By-Pass Valve with Heritage Cross Handles
- 7001.000 In wall supply w/009426 Metal Cross Handle
- 7866.015 Nozzle with hook
- 7837.024 Atmospheric vacuum breaker
- Self-closing handle



**GENERAL DESCRIPTION:**

Cast brass construction throughout. By-pass valve on 8" centers. Amarelis washerless ceramic disc valve cartridge. Heritage Cross Handles. Screwdriver stops. Single supply nozzle with built-in wall mounted hook for spray end. 4' rubber hose. 10" spray end with self-closing hand valve with renewable seats. Atmospheric vacuum breaker with top outlet to provide back flow protection.

**PRODUCT FEATURES:**

**Brass Construction:** Durable - excellent in high use applications.

**Ceramic Disc Valving:** Assures a lifetime of drip free performance.

**Supply Nozzle:** Cast brass with built-in hook to hold spray end. Wall mounted.

**Vacuum Breaker:** Brass housing, ells and nipples with re-buildable back flow preventer.

**Polished Chrome Finish:** Excellent in commercial applications.

**SUGGESTED SPECIFICATION**

Bedpan Cleanser Assembly shall feature a wall mounted single inlet supply nozzle with built-in hook. Shall feature a by-pass valve on 8" centers and Amarelis washerless ceramic disc valving and screwdriver stops. Back flow protection to be provided by vacuum breaker with top outlet. Cast brass construction throughout. Fitting shall be American Standard Model# 7880.083.002.