

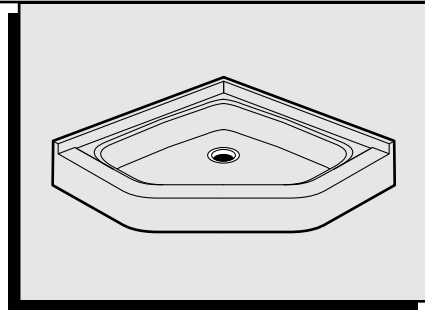
Installation ACRYLIC SHOWER BASE Instructions

MODELS 3232.ST, 3636.ST, 4242.ST, 4834.ST, 6034.ST,
3636.NEO, 3838.NEO, 4242.NEO

Thank you for selecting American-Standard...the benchmark
of fine quality for over 100 years.

To ensure that your installation proceeds smoothly—please
read these instructions carefully before you begin.

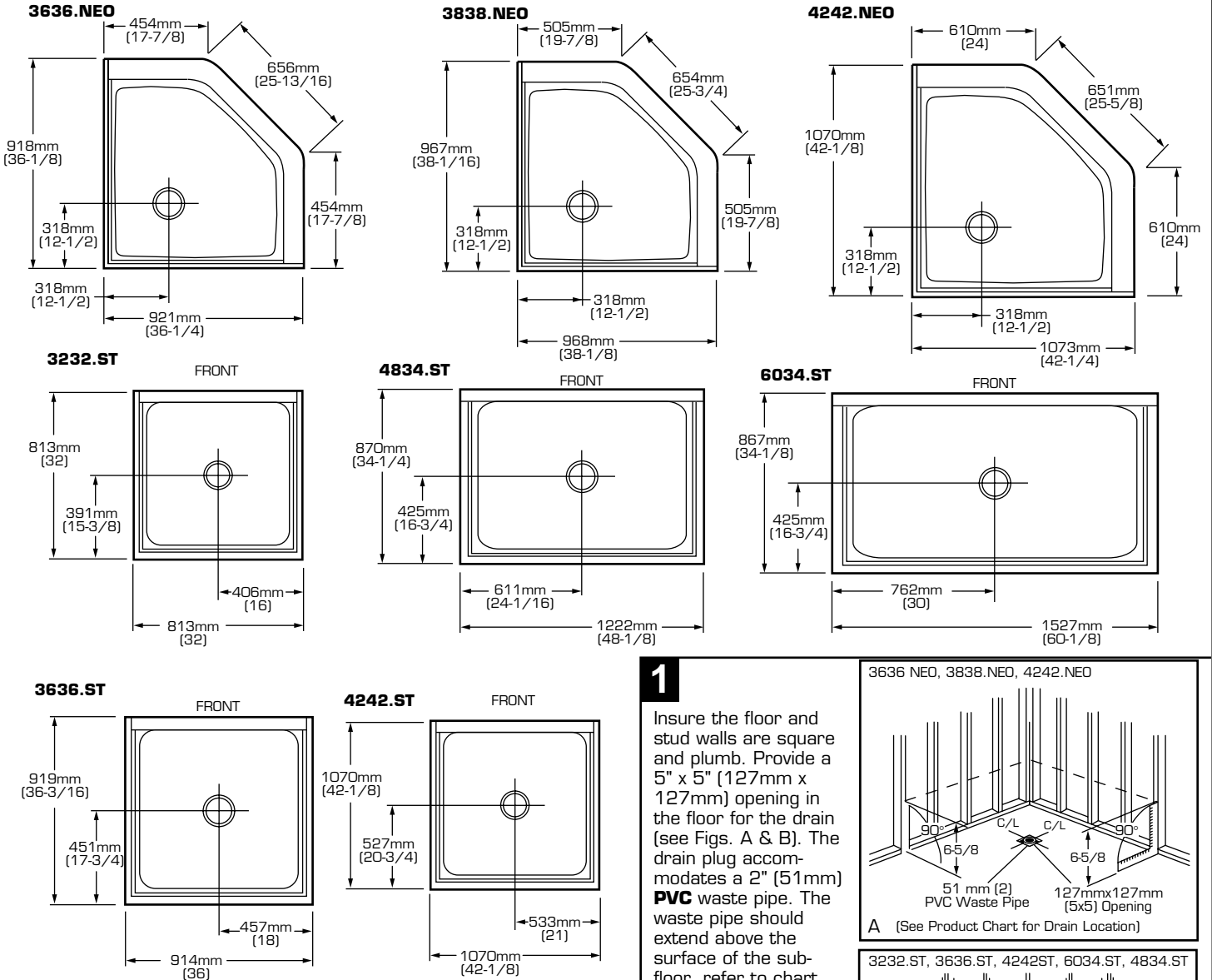
**For alcove (.ST models) installation only: The opening
dimensions should be 1/8" larger than dimensions shown.**



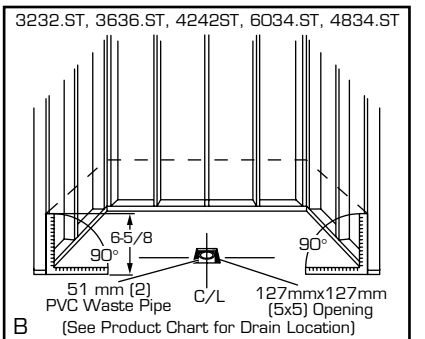
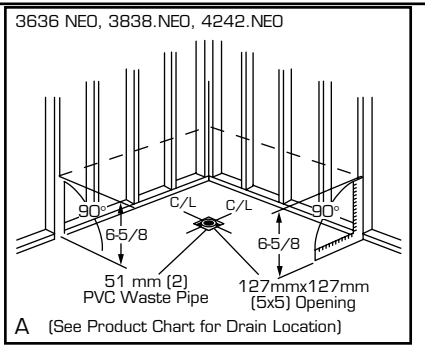
Certified to comply with ANSI Z124.2 1987.
Observe local plumbing and building codes.

751817-100 Rev. 0

NOTE: Read instructions completely before proceeding with installation.



1
Insure the floor and stud walls are square and plumb. Provide a 5" x 5" (127mm x 127mm) opening in the floor for the drain (see Figs. A & B). The drain plug accommodates a 2" (51mm) PVC waste pipe. The waste pipe should extend above the surface of the sub-floor, refer to chart on page 2 for the required dimensions. See product drawings on this page for the specified drain locations.



SPECIFICATIONS:

Product No.	3232.ST	3636.ST	4242.ST
Size:	813 x 813mm (32) x (32)	914 x 919mm (36) x (36-3/16)	1070 x 1070mm (42-1/8) x (42-1/8)
Product No.	4834.ST	6034.ST	3636.NEO
Size:	1222 x 870mm (48-1/8) x (34-1/4)	1527 x 867mm (60-1/8) x (34-1/8)	921 x 918mm (36-1/4) x (36-1/16)
Product No.	3838.NEO	4242.NEO	
Size:	968 x 967mm (38-1/8) x (38-1/16)	1073 x 1070mm (42-1/4) x (42-1/8)	

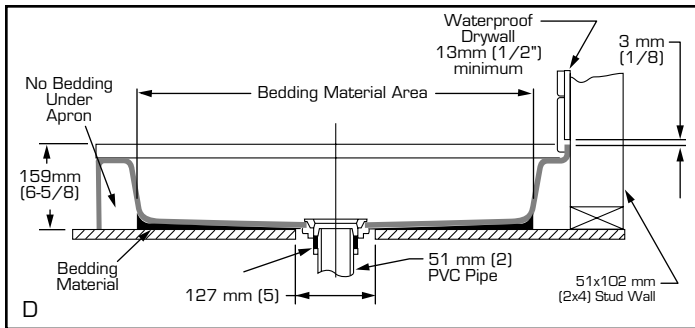
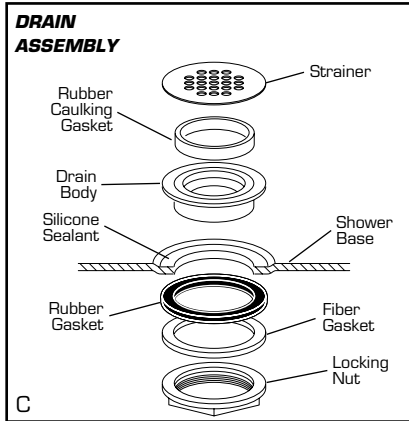
1 Continued from page 1.

SHOWER BASE	WASTE PIPE HEIGHT
3636.NEO	5/16" ± 1/16"
3838.NEO	3/8" ± 1/16"
4242.NEO	5/16" ± 1/16"
3232.ST	3/8" ± 1/16"
4834.ST	1/4" ± 1/16"
6034.ST	1/4" ± 1/16"
3636.ST	1/4" ± 1/16"
4242.ST	5/16" ± 1/16"

Note: Variations in levelness of the subfloor may require adjustment of waste pipe height.

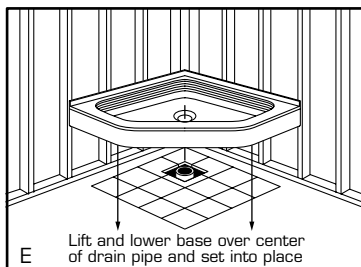
2

Before installing drain into the shower base, remove strainer (see Fig. C). This will be installed after shower base is in its final position. Install the drain to the shower base as shown in Fig. D. Use silicone sealant between drain body and shower base.



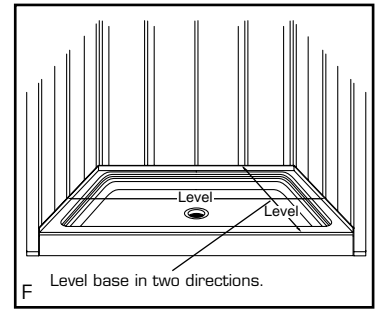
3

Draw a line 6-5/8" (159mm) from the sub-floor on to the studs at each side of the opening. Using this line and a level, mark the remaining studs. (See Figs. A & B.) This will be the installed height of the shower base. Mix the low-shrink bedding material (grout, mortar, plaster, etc.). **Concrete is not recommended.** Apply enough bedding material to support the entire bottom of the shower base. **The bedding material must not be used under the apron (front edge).**



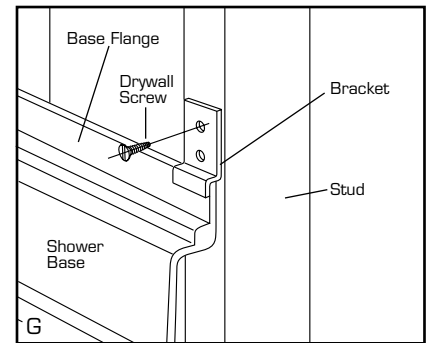
4

After the bedding material has been poured and before it sets, lower the shower base into position with the drain assembly sliding over the waste pipe as shown in Fig. E. It will be necessary to "rock" the shower base until the top of the tile flange aligns with the lines drawn in Step 3 on the stud walls. Make certain the apron is contacting the rough floor along the entire length of the shower base. Insure that the base is level in two directions (see Fig. F). Snap strainer back into place and check for proper drainage.



5

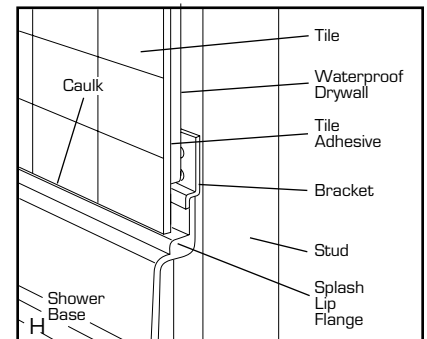
Secure the base to the studs as shown, using the screws and the brackets provided. See Fig. G. **Note:** Allow the bedding material to completely harden before applying weight to the bottom of the shower base.



6

Tape over the strainer to protect the finish and prevent construction debris from entering the drain.

Finish installation as shown in Figure H.



CLEANING AND MAINTENANCE

Your American Standard shower base is designed to last indefinitely with reasonable care and maintenance.

The high-gloss acrylic surface is resistant to impact and retains its luster with proper care and maintenance. An integral, slip-resistant surface is incorporated for user safety.

General Cleaning: Do not use abrasive cleaners; a mixture of warm water and a mild liquid detergent is adequate for most cleaning. **Strong detergents formulated for use on tile or porcelain-enamel surfaces should be avoided.**

Caution: Do not allow liquid detergent containers to remain on base surfaces for more than a few moments. Do not use Lestoil, Windex, Mr. Clean, Dow Disinfectant (spray or concentrate), or Lysol Basin, Tub and Tile Cleaner. Do not allow nail polish remover, dry cleaning fluid, acetone, paint remover, or other solvents to contact acrylic surface.