

NEO CORNER SHOWER BASE

Product Features:

- Acrylic with fiberglass reinforcement
- Corner neo-angle unit
- Textured bottom pattern
- Integral two-sided, double tiling edge with water retention flange
- Molded-in flood guard
- PVC shower drain with stainless steel drain plate

4242.NEO CORNER SHOWER BASE

Nominal Dimensions:

1073 x 1070 x 168mm
(42-1/4" x 42-1/8" x 6-5/8")

3838.NEO CORNER SHOWER BASE

Nominal Dimensions:

968 x 967 x 168mm
(38-1/8" x 38-1/16" x 6-5/8")

3636.NEO CORNER SHOWER BASE

Nominal Dimensions:

921 x 918 x 168mm
(36-1/4" x 36-1/8" x 6-5/8")

Compliance Certifications -

Meets or Exceeds the Following Specifications:

- ANSI Z124.2 for Plastic Showers
- ASTM E162 for Surface Flammability
- NFPA 258 for Smoke Density



SEE REVERSE SIDE FOR ROUGHING-IN DIMENSIONS
AND PRODUCT SPECIFICATIONS

To Be Specified - Required:

- Color: (specify American Standard fixture color)

To Be Specified - Optional:

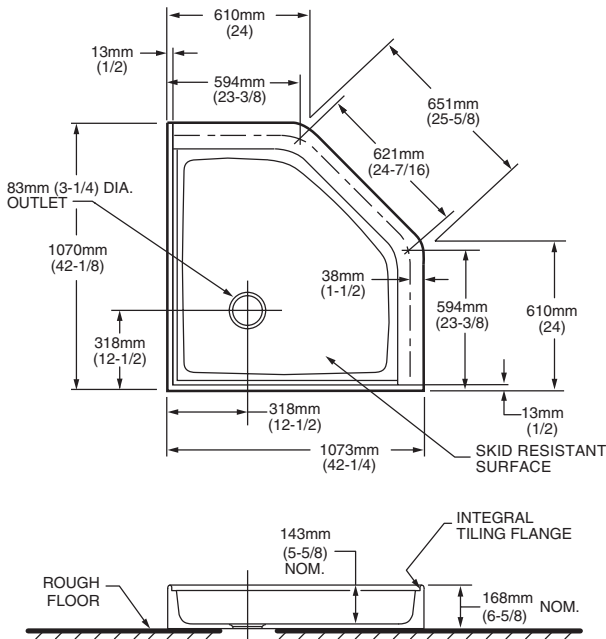
- Metal Drain Plate:
 - 751819-099 in Polished Brass
 - or
 - 751819-295 in Satin Nickel

NOTES:

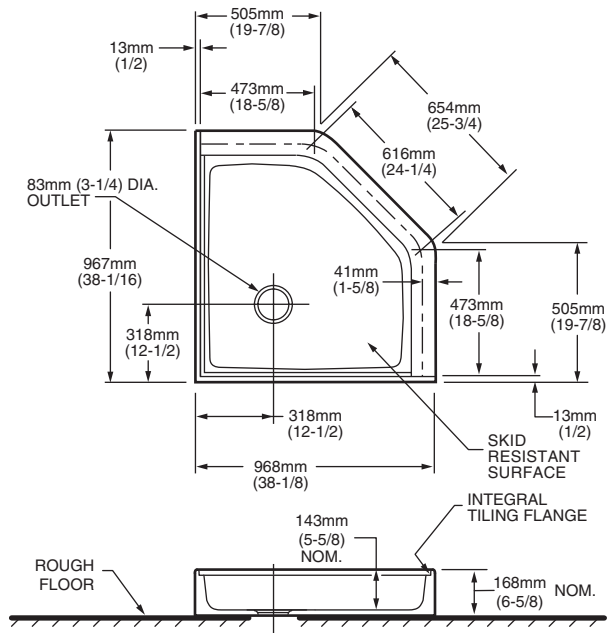
REFER TO INSTALLATION INSTRUCTIONS SUPPLIED WITH SHOWER BASE FOR ADDITIONAL INFORMATION.

IMPORTANT: Dimensions of fixtures are nominal and may vary within the range of tolerances established by ANSI Standard Z124.1 / CSA. These measurements are subject to change or cancellation. No responsibility is assumed for use of superseded or voided pages.

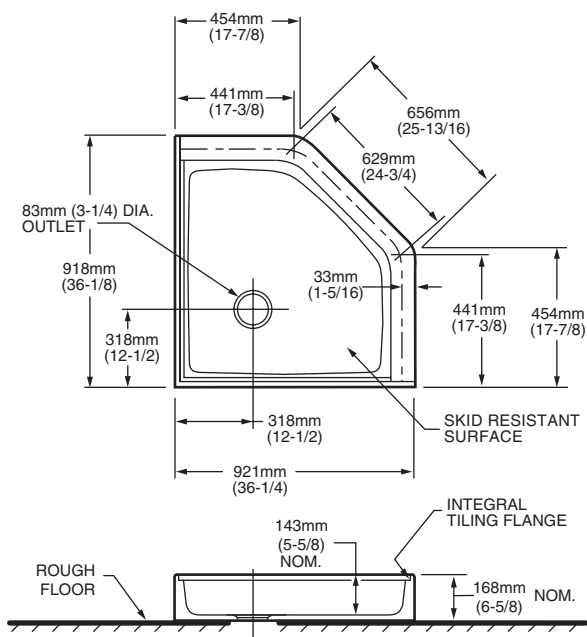
4242.NEO



3838.NEO



3636.NEO



GENERAL SPECIFICATIONS FOR 4242.NEO SHOWER BASE

INSTALLED SIZE _____ 1073mm X 1070mm X 168mm
(42-1/4 X 42-1/8 X 6-5/8 IN.)
WEIGHT _____ 31 Kg. (68 LBS.)
WEIGHT w/WATER _____ 129 Kg. (285 LBS.)
SHOWER WELL AT SUMP _____ 826mm X 826mm (32-1/2 X 32-1/2 IN.)
SHOWER WELL AT RIM _____ 914mm X 914mm (36 X 36 IN.)
FLOOR LOADING _____ 124 Kgs/Sq. m. (25 LBS./SQ. FT.)
(PROJECTED AREA)

GENERAL SPECIFICATIONS FOR 3838.NEO SHOWER BASE

INSTALLED SIZE _____ 968mm X 967mm X 168mm
(38-1/8 X 38-1/16 X 6-5/8 IN.)
WEIGHT _____ 25 Kg. (54 LBS.)
WEIGHT w/WATER _____ 74 Kg. (162 LBS.)
SHOWER WELL AT SUMP _____ 762mm X 762mm (30 X 30 IN.)
SHOWER WELL AT RIM _____ 826mm X 826mm (32-1/2 X 32-1/2 IN.)
FLOOR LOADING _____ 89 Kgs/Sq. m. (18 LBS./SQ. FT.)
(PROJECTED AREA)

GENERAL SPECIFICATIONS FOR 3636.NEO SHOWER BASE

INSTALLED SIZE _____ 921 x 918 x 168mm (36-1/4" x 36-1/8" x 6-5/8")
WEIGHT _____ 30 Kg. (66 LBS.)
WEIGHT w/WATER _____ 70 Kg. (156 LBS.)
SHOWER WELL AT SUMP _____ 727mm X 727mm (28-5/8 X 28-5/8 IN.)
SHOWER WELL AT RIM _____ 787mm X 787mm (31 X 31 IN.)
FLOOR LOADING _____ 83 Kgs/Sq. m. (17 LBS./SQ. FT.)
(PROJECTED AREA)