

INSTALLATION GUIDE FOR GREEN TEA WHIRLPOOLS AND BATH TUBS

GREEN TEA™ 5' x 36" MODEL 3571

GREEN TEA™ 5-1/2' x 36" MODEL 3572

GREEN TEA™ 6' x 36" MODEL 3573

GREEN TEA™ 5' x 42" MODEL 3574

GREEN TEA™ 6' x 42" MODEL 3575

THANK YOU...

for selecting an American Standard bath. Your new bath is shipped to you after careful inspection. The whirlpool version is completely assembled with pump, motor, and system piping. All you need to finish the installation are your selected fittings and electrical connections for a whirlpool.

To insure maximum performance and pleasure from this product, please follow the instructions and cautions.

FOR AFTER-SALES SERVICE CALL 1 (800) 442-1902 WEEKDAYS.

© American Standard Inc. 2007
All product names listed herein are trademarks
of American Standard Inc. unless otherwise noted.

TABLE OF CONTENTS:

Safety Instructions Notice.....Page 3

Roughing-in Reference/Chart.....Page 4-7

Installation and Framing Instructions.....Page 8 - 9








Electrical Installation Instructions.....Page 10

Post Installation Care.....Page 11

Warranty.....Page 12

IMPORTANT SAFETY INSTRUCTIONS

READ AND FOLLOW ALL INSTRUCTIONS!

-  **WARNING: Risk of personal injury.** Do not permit children to use this unit without adult supervision.
-  **WARNING: Risk of personal injury.** Do not operate this unit without the guard over the suction fitting.
-  **WARNING: Risk of electric shock.** Do not permit electrical appliances (hair dryer, telephone, radio, etc.) within 60 inches (1524mm) of this unit.
-  **WARNING: Risk of hyperthermia and possible drowning.** People using medications and/or having adverse medical history should consult a physician before using this product.
-  **WARNING: Risk of personal injury.** Do not overfill unit before entering. Entering tub when filled more than 2/3 can cause overflow and slippery conditions. Exercise caution when entering and exiting.
-  **WARNING: No Food or Alcoholic Beverages.** Use of your bathtub immediately after meals is not recommended. Avoid alcohol consumption before or during bathing. Alcoholic beverages can cause drowsiness or hyperthermia resulting in loss of consciousness or even drowning.
-  **WARNING: Pregnancy.** If you are or think you may be pregnant, consult your physician before using the bathtub.

Never drop or insert any object into any opening.

Use this unit only for its intended use as described in this manual. Do not use any attachments not recommended by American Standard.

The unit must be connected only to a supply circuit that is properly protected by a ground-fault circuit-interrupter (GFCI). Such a GFCI should be provided by the installer and should be tested on a routine basis. To test the GFCI, push the test button. The GFCI should interrupt power. Push the reset button. Power should be restored. If the GFCI fails to operate in this manner, the GFCI is defective. If the GFCI interrupts power to the bathtub without the test button being pushed, a ground current is flowing, indicating the possibility of an electric shock. Do not use this hydromassage bathtub. Disconnect the hydromassage bathtub and have the problem corrected by a licensed electrician before using.

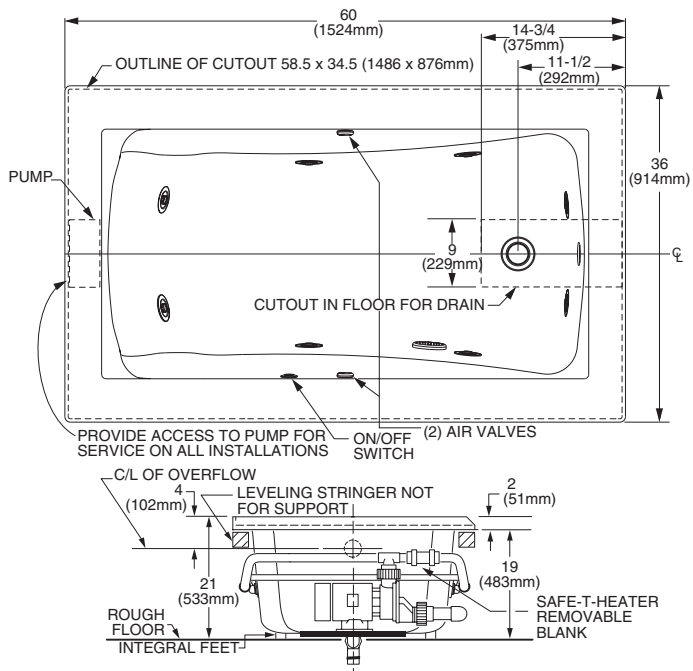
A pressure wire connector is provided on the exterior of the motor unit to permit connection of a no. 8 AWG solid copper bonding conductor between this unit and all other electrical equipment and exposed metal in the vicinity, as needed to comply with local requirements. To reduce the risk of an electric shock, connect this connector the grounding terminal of your electric service or supply panel with a conductor equivalent in size to the circuit conductors supplying this unit.

SAVE THESE INSTRUCTIONS

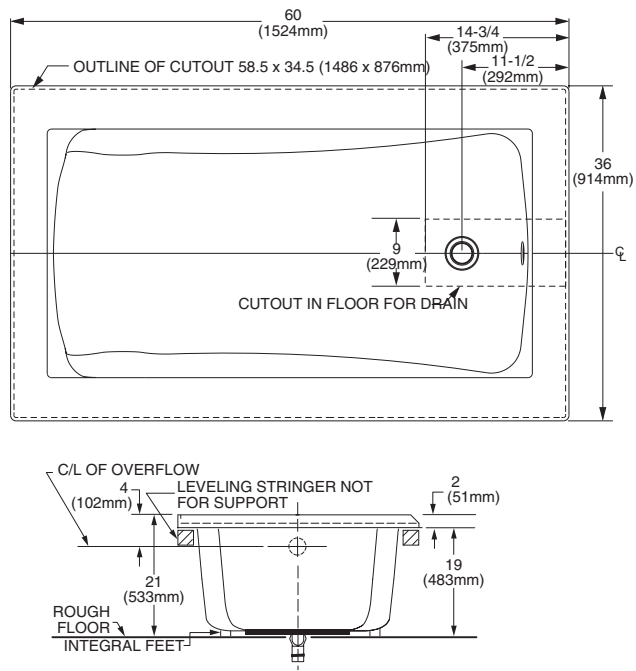
ROUGHING-IN REFERENCES

GREEN TEA 5' x 36"
MODEL 3571

WHIRLPOOL

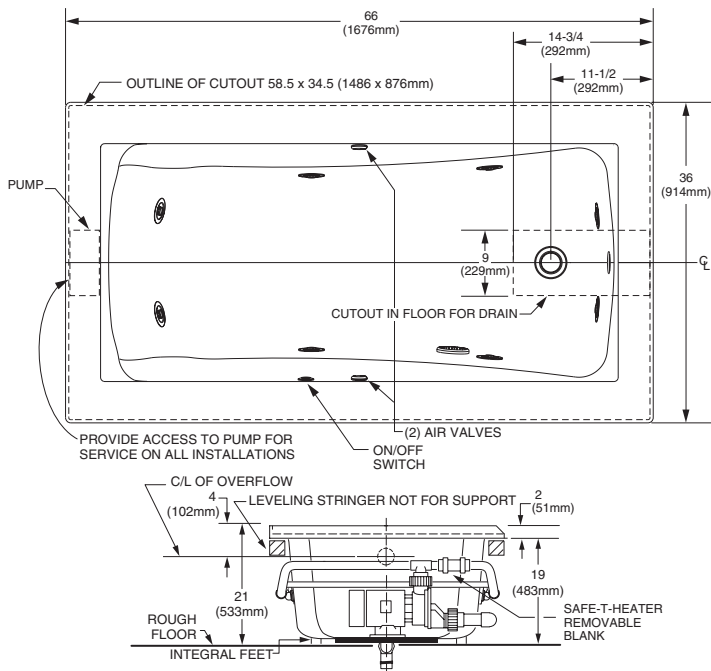


BATHING TUB

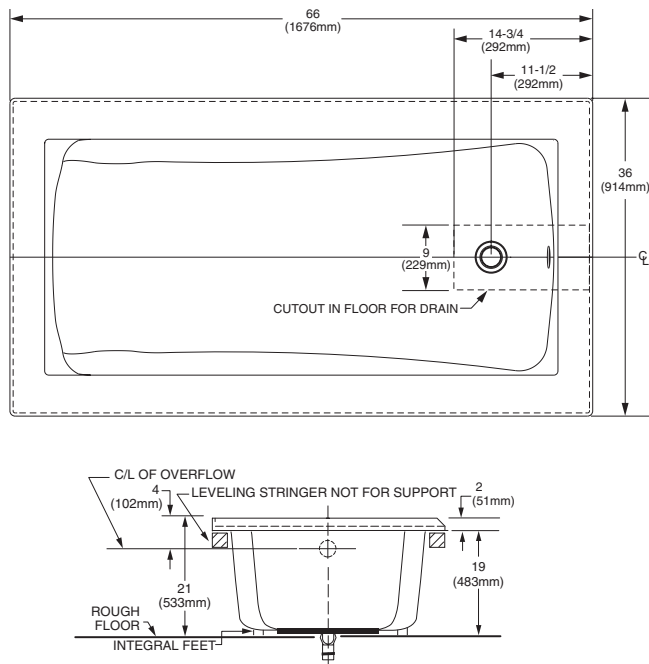


GREEN TEA 5-1/2' x 36"
MODEL 3572

WHIRLPOOL

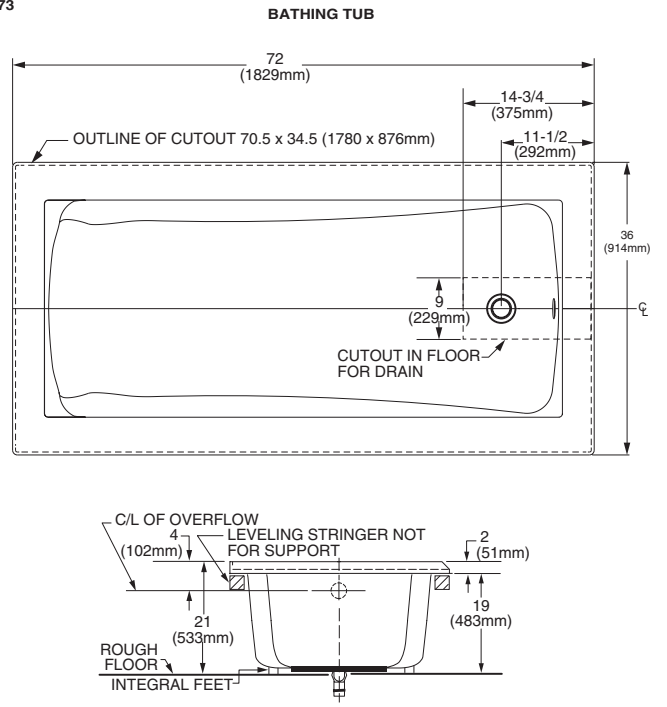
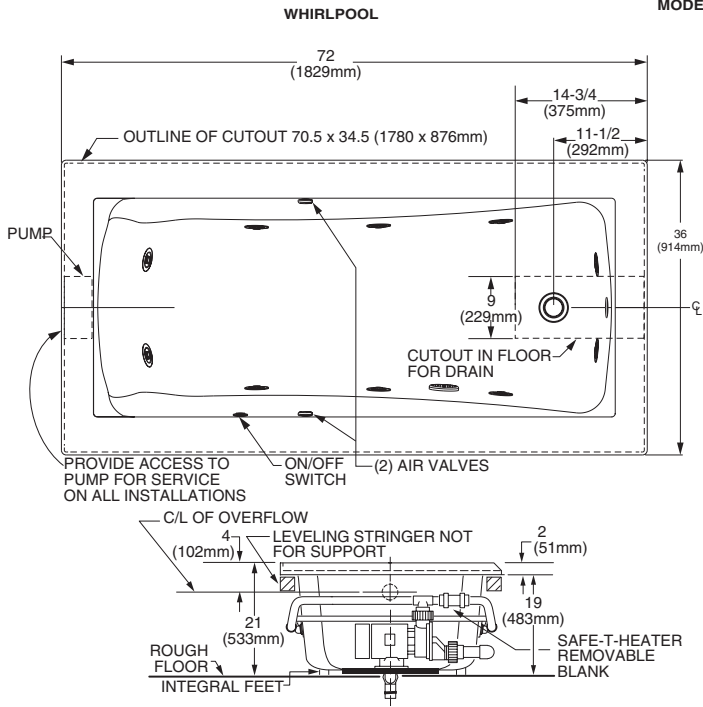


BATHING TUB

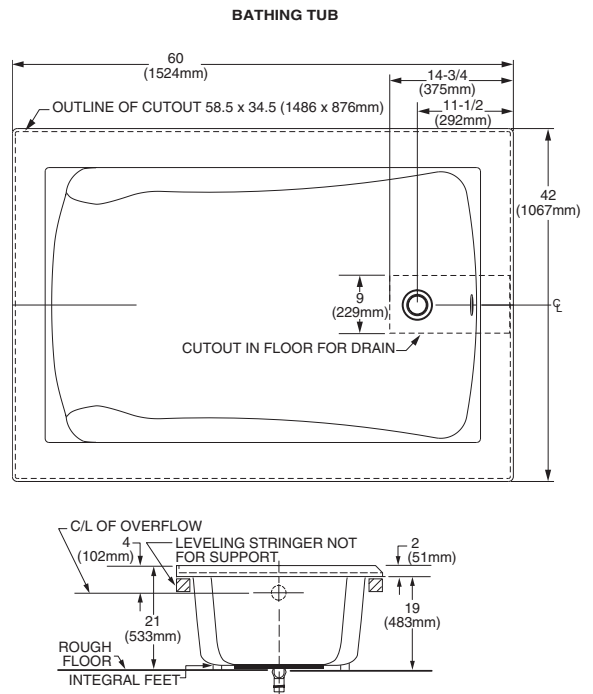
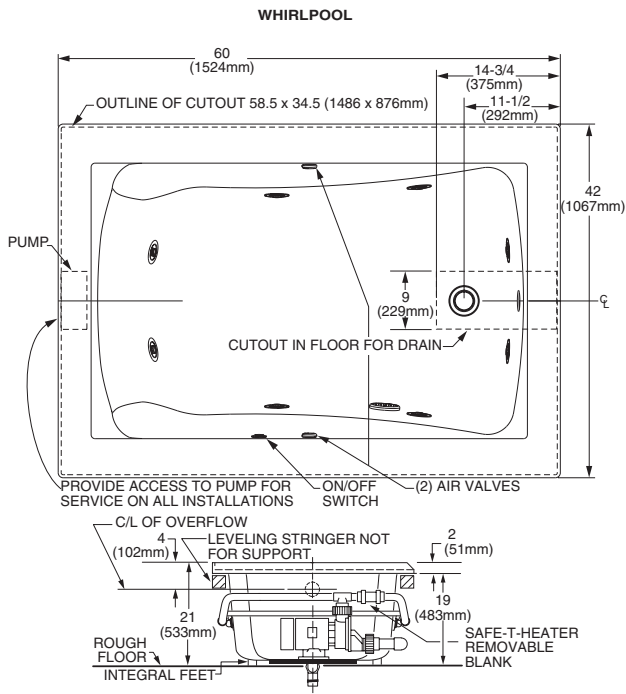


ROUGHING-IN REFERENCES

GREEN TEA 6' x 36" MODEL 3573

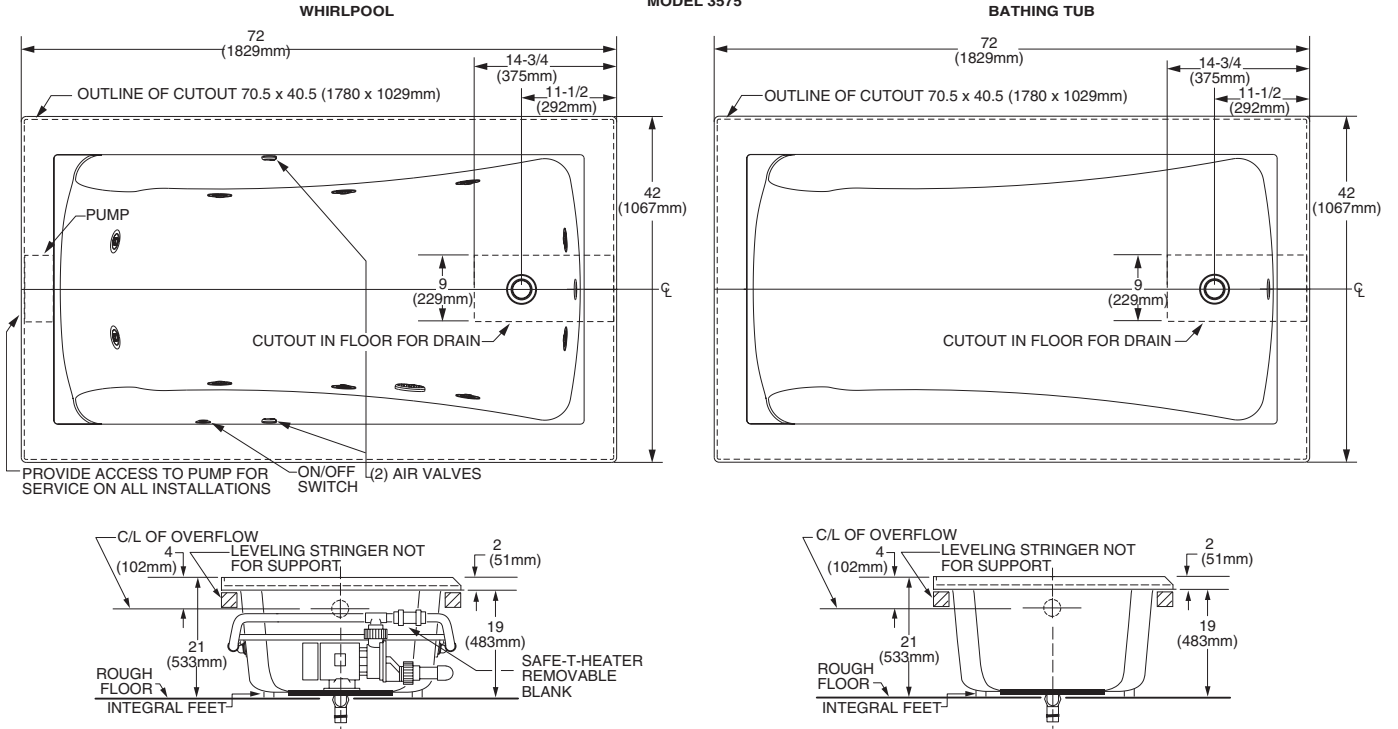


GREEN TEA 5' x 42" MODEL 3574



ROUGHING-IN REFERENCES

GREEN TEA 6' x 42" MODEL 3575



GREEN TEA CHARTS

WHIRLPOOL

GREEN TEA 5' x 36" MODEL 3571

BATHING TUB

GENERAL SPECIFICATIONS FOR 3571 WHIRLPOOL

INSTALLED SIZE	60 x 36 x 21 In. (1524 x 914 x 533mm)
WEIGHT	86 Lbs. (39 Kg.)
WEIGHT w/WATER	519 Lbs. (235 Kg.)
GAL. TO OVERFLOW	52 Gal. (197 L.)
MIN. OPERATING GAL.	38 Gal. (144 L.)
BATHING WELL AT SUMP	19 x 43 In. (483mm x 1092mm)
BATHING WELL AT RIM	48-1/2 x 27 In. (1232mm x 686mm)
WATER DEPTH TO OVERFLOW	14 In. (356mm)
FLOOR LOADING (PROJECTED AREA)	35 Lbs./Sq. Ft. (169 Kgs/Sq. m.)
PTS.	23.8
CUBE (FT ³)	44.5

WHIRLPOOL ELECTRICAL SPECIFICATIONS

SYSTEM I PUMP _____ 1.4 HP, 7.5 AMPS, 120V.

GENERAL SPECIFICATIONS FOR 3571 BATHING POOL

INSTALLED SIZE	60 x 36 x 21 In. (1524 x 914 x 533mm)
WEIGHT	54 Lbs. (24 Kg.)
WEIGHT w/WATER	487 Lbs. (221 Kg.)
GAL. TO OVERFLOW	52 Gal. (197 L.)
BATHING WELL AT SUMP	19 x 43 In. (483mm x 1092mm)
BATHING WELL AT RIM	48-1/2 x 27 In. (1232mm x 686mm)
WATER DEPTH TO OVERFLOW	14 In. (356mm)
FLOOR LOADING (PROJECTED AREA)	32 Lbs./Sq. Ft. (159 Kgs/Sq. m.)
PTS.	23.8
CUBE (FT ³)	44.5

WHIRLPOOL

GREEN TEA 5-1/2' x 36" MODEL 3572

BATHING TUB

GENERAL SPECIFICATIONS FOR 3572 WHIRLPOOL

INSTALLED SIZE	66 x 36 x 21 In. (1676 x 914 x 533mm)
WEIGHT	100 Lbs. (45 Kg.)
WEIGHT w/WATER	592 Lbs. (269 Kg.)
GAL. TO OVERFLOW	59 Gal. (223 L.)
MIN. OPERATING GAL.	44 Gal. (167 L.)
BATHING WELL AT SUMP	19 x 49 In. (483mm x 1245mm)
BATHING WELL AT RIM	54-1/2 x 27 In. (1384mm x 686mm)
WATER DEPTH TO OVERFLOW	14 In. (356mm)
FLOOR LOADING (PROJECTED AREA)	36 Lbs./Sq. Ft. (175 Kgs/Sq. m.)
PTS.	25.6
CUBE (FT ³)	45.1

WHIRLPOOL ELECTRICAL SPECIFICATIONS

SYSTEM I PUMP _____ 1.4 HP, 7.5 AMPS, 120V.

GENERAL SPECIFICATIONS FOR 3572 BATHING POOL

INSTALLED SIZE	66 x 36 x 21 In. (1676 x 914 x 533mm)
WEIGHT	66 Lbs. (30 Kg.)
WEIGHT w/WATER	557 Lbs. (253 Kg.)
GAL. TO OVERFLOW	59 Gal. (223 L.)
BATHING WELL AT SUMP	19 x 49 In. (483mm x 1245mm)
BATHING WELL AT RIM	54-1/2 x 27 In. (1384mm x 686mm)
WATER DEPTH TO OVERFLOW	14 In. (356mm)
FLOOR LOADING (PROJECTED AREA)	34 Lbs./Sq. Ft. (165 Kgs/Sq. m.)
PTS.	25.6
CUBE (FT ³)	45.1

GREEN TEA CHARTS

WHIRLPOOL

GREEN TEA 6' x 36" MODEL 3573

BATHING TUB

GENERAL SPECIFICATIONS FOR 3573 WHIRLPOOL

INSTALLED SIZE _____ 72 x 36 x 21 In. (1829 x 914 x 533mm)
 WEIGHT _____ 115 Lbs. (52 Kg.)
 WEIGHT w/WATER _____ 665 Lbs. (302 Kg.)
 GAL. TO OVERFLOW _____ 66 Gal. (250 L.)
 MIN. OPERATING GAL. _____ 49 Gal. (185 L.)
 BATHING WELL AT SUMP _____ 19 x 55 In. (483mm x 1397mm)
 BATHING WELL AT RIM _____ 60-1/2 x 27 In. (1537mm x 686mm)
 WATER DEPTH TO OVERFLOW _____ 14 In. (356mm)
 FLOOR LOADING _____ 37 Lbs./Sq. Ft. (175 Kgs/Sq. m.)
 (PROJECTED AREA)
 PTS. _____ 23.8
 CUBE (FT³) _____ 44.5

WHIRLPOOL ELECTRICAL SPECIFICATIONS

SYSTEM I PUMP _____ 1.4 HP, 7.5 AMPS, 120V.

GENERAL SPECIFICATIONS FOR 3573 BATHING POOL

INSTALLED SIZE _____ 72 x 36 x 21 In. (1829 x 914 x 533mm)
 WEIGHT _____ 78 Lbs. (35 Kg.)
 WEIGHT w/WATER _____ 628 Lbs. (285 Kg.)
 GAL. TO OVERFLOW _____ 66 Gal. (250 L.)
 BATHING WELL AT SUMP _____ 19 x 55 In. (483mm x 1397mm)
 BATHING WELL AT RIM _____ 60-1/2 x 27 In. (1537mm x 686mm)
 WATER DEPTH TO OVERFLOW _____ 14 In. (356mm)
 FLOOR LOADING _____ 35 Lbs./Sq. Ft. (170 Kgs/Sq. m.)
 (PROJECTED AREA)
 PTS. _____ 23.8
 CUBE (FT³) _____ 44.5

WHIRLPOOL

GREEN TEA 5' x 42" MODEL 3574

BATHING TUB

GENERAL SPECIFICATIONS FOR 3574 WHIRLPOOL

INSTALLED SIZE _____ 59-3/4 x 42 x 21 In. (1518 x 1060 x 533mm)
 WEIGHT _____ 115 Lbs. (52 Kg.)
 WEIGHT w/WATER _____ 656 Lbs. (298 Kg.)
 GAL. TO OVERFLOW _____ 65 Gal. (246 L.)
 MIN. OPERATING GAL. _____ 47 Gal. (178 L.)
 BATHING WELL AT SUMP _____ 24-1/2 x 42 In. (622mm x 1067mm)
 BATHING WELL AT RIM _____ 48 x 33 In. (1219mm x 838mm)
 WATER DEPTH TO OVERFLOW _____ 14 In. (356mm)
 FLOOR LOADING _____ 38 Lbs./Sq. Ft. (185 Kgs/Sq. m.)
 (PROJECTED AREA)
 PTS. _____ 27.8
 CUBE (FT³) _____ 47.4

WHIRLPOOL ELECTRICAL SPECIFICATIONS

SYSTEM I PUMP _____ 1.4 HP, 7.5 AMPS, 120V.

GENERAL SPECIFICATIONS FOR 3574 BATHING POOL

INSTALLED SIZE _____ 59-3/4 x 42 x 21 In. (1518 x 1060 x 533mm)
 WEIGHT _____ 78 Lbs. (35 Kg.)
 WEIGHT w/WATER _____ 619 Lbs. (281 Kg.)
 GAL. TO OVERFLOW _____ 65 Gal. (246 L.)
 BATHING WELL AT SUMP _____ 24-1/2 x 42 In. (622mm x 1067mm)
 BATHING WELL AT RIM _____ 48 x 33 In. (1219mm x 838mm)
 WATER DEPTH TO OVERFLOW _____ 14 In. (356mm)
 FLOOR LOADING _____ 36 Lbs./Sq. Ft. (175 Kgs/Sq. m.)
 (PROJECTED AREA)
 PTS. _____ 27.8
 CUBE (FT³) _____ 47.4

WHIRLPOOL

GREEN TEA 5' x 42" MODEL 3574

BATHING TUB

GENERAL SPECIFICATIONS FOR 3575 WHIRLPOOL

INSTALLED SIZE _____ 72 x 42 x 21 In. (1829 x 1067 x 533mm)
 WEIGHT _____ 127 Lbs. (58 Kg.)
 WEIGHT w/WATER _____ 785 Lbs. (356 Kg.)
 GAL. TO OVERFLOW _____ 79 Gal. (299 L.)
 MIN. OPERATING GAL. _____ 58 Gal. (219 L.)
 BATHING WELL AT SUMP _____ 22-1/2 x 54 In. (572mm x 1372mm)
 BATHING WELL AT RIM _____ 60 x 33 In. (1524mm x 838mm)
 WATER DEPTH TO OVERFLOW _____ 14 In. (356mm)
 FLOOR LOADING _____ 37 Lbs./Sq. Ft. (185 Kgs/Sq. m.)
 (PROJECTED AREA)
 PTS. _____ 25.6
 CUBE (FT³) _____ 49.4

WHIRLPOOL ELECTRICAL SPECIFICATIONS

SYSTEM I PUMP _____ 1.4 HP, 7.5 AMPS, 120V.

GENERAL SPECIFICATIONS FOR 3575 BATHING POOL

INSTALLED SIZE _____ 72 x 42 x 21 In. (1829 x 1067 x 533mm)
 WEIGHT _____ 86 Lbs. (39 Kg.)
 WEIGHT w/WATER _____ 744 Lbs. (338 Kg.)
 GAL. TO OVERFLOW _____ 79 Gal. (299 L.)
 BATHING WELL AT SUMP _____ 22-1/2 x 54 In. (572mm x 1372mm)
 BATHING WELL AT RIM _____ 60 x 33 In. (1524mm x 838mm)
 WATER DEPTH TO OVERFLOW _____ 14 In. (356mm)
 FLOOR LOADING _____ 35 Lbs./Sq. Ft. (173 Kgs/Sq. m.)
 (PROJECTED AREA)
 PTS. _____ 25.6
 CUBE (FT³) _____ 49.4

GENERAL INSTALLATION INFORMATION

Carefully uncrate and inspect your new bath for any shipping damage. If such damage is found, report it to your vendor immediately. After inspection and during installation, protect the bath from construction damage. **Before installation, and before enclosing with wallboard, tile, etc., the bath must be filled with water and operated to check for leaks that may have resulted from shipping damage or mishandling!** Do not make modifications to the whirlpool system or remove pump from factory mounting. This could adversely affect the safety and performance of the whirlpool and void the warranty. Do not handle or move the whirlpool by the pump, motor, or piping system. Fittings (bath filler, shower arm, etc.) are not provided with the bath and must be ordered separately. Framing and enclosing materials are provided by others.

For electrical requirements, refer to section titled "Whirlpool Electrical Installation Instructions".

Check for availability of optional American Standard wall tiling bead (required for recess installation). Protect all finished surfaces of the whirlpool during construction and installation using a drop cloth.

! WARNING: Do not lift whirlpool by the piping harness at any time.

NOTE: Deck-mounted fittings are not recommended.

List of Required Tools and Supplies:

Tools

- Level
- Tape Measure
- Pipe Wrench
- Slip Joint Pliers
- Screw Driver
- Standard Woodworking Tools
- Personal Safety Equipment
- Caulking Gun

Supplies

- Nails
- Plumber's Putty
- Caulking (waterproof)
- 1 x 4 Stringers
- Drop Cloth
- 15 amp GFI Outlet
- Cement, Plaster, Grout

List of Optional Components (not included):

- Tile Bead Kit 751755-100*
- Apron Kit*
- * see your American Standard Distributor

List of Required Components (not included):

- Drain 1599.500* • Bath Filler*
- * see your American Standard Distributor

INSTALLATION AND FRAMING INSTRUCTIONS

The variety of installations possible for this whirlpool may require framing procedures other than those shown. Locate studs as needed. Ensure roughing-in dimensions are proper, plumb and square. Provisions must be made in all installations for an access opening for servicing the pump and controls. It is strongly recommended that an additional opening be provided for access to the drain components. The apron should not be used as the primary access opening.

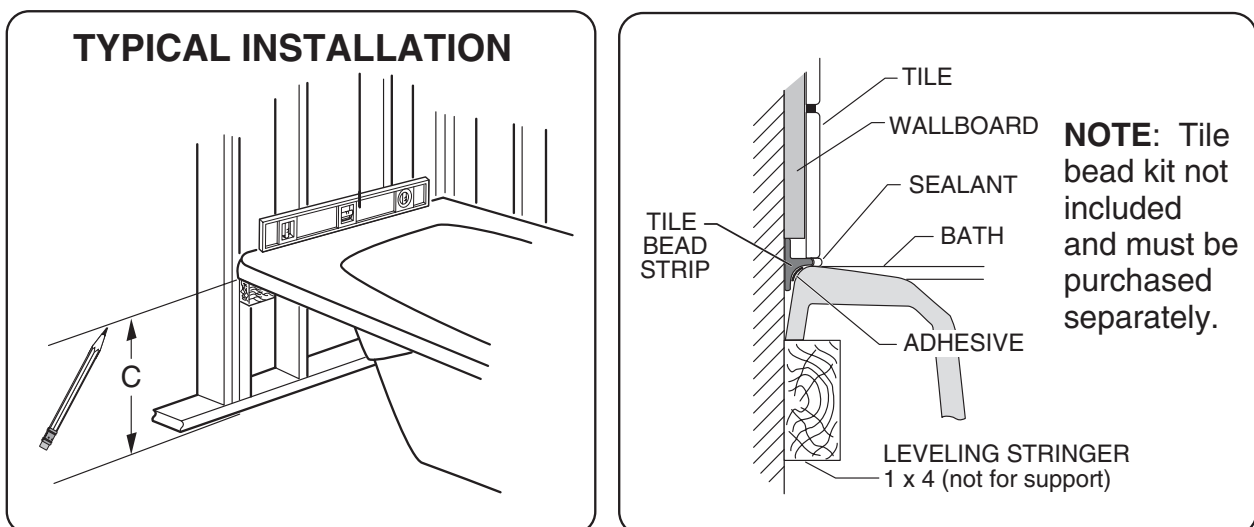
1. Position the whirlpool into the installation opening and level the deck in both directions, shimming the integral support feet IF necessary. Mark the final position of the underside of the deck by tracing a line on to the studs (see Figure 1).
2. Remove the whirlpool and attach a 1 x 4 stringer to the studs, with the top of the stringer touching the traced line.

! The rim of the bath **must not support weight.**

3. Install drain components to the whirlpool following the drain installation instructions. Before replacing your whirlpool for final installation, be certain that an opening has been provided in the sub-floor for the drain. See the roughing-in drawing and Charts for suggested opening size (shaded) and location dimensions. The drain/overflow of the bath extends below the bottom of the bath. Note that this requires a cutout in the floor.

! The floor structure beneath the bath must be able to support a total weight of bath, water, and bather. Refer to the Charts under total weight for your model.

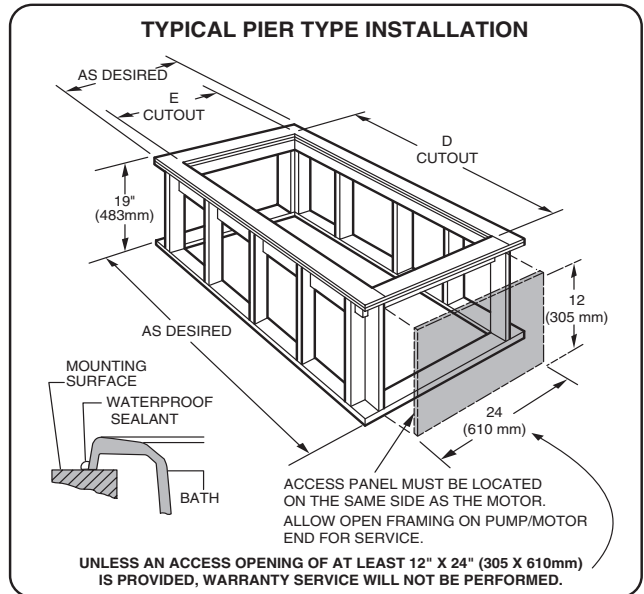
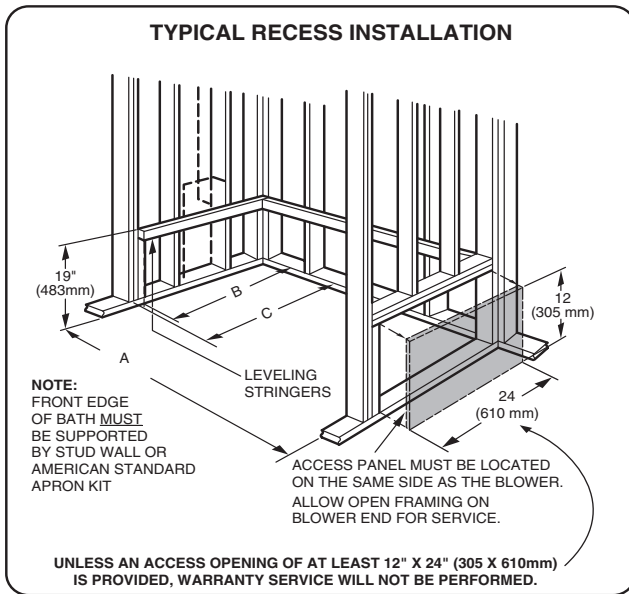
FIGURE 1



MODEL NUMBER	DIMENSIONS				
	A	B	C	D	E
3571	60-3/16" (1529 mm)	34-1/2" (876 mm)	36" (914 mm)	58-1/2" (1486 mm)	34-1/2" (876 mm)
3572	66-3/16" (1681 mm)	34-1/2" (876 mm)	36" (914 mm)	64-1/2" (1638 mm)	34-1/2" (876 mm)
3573	72-3/16" (1859 mm)	34-1/2" (876 mm)	36" (914 mm)	70-1/2" (1791 mm)	34-1/2" (876 mm)
3574	60-3/16" (1529 mm)	40-1/2" (1029 mm)	42" (1069 mm)	58-1/2" (1486 mm)	40-1/2" (1029 mm)
3575	72-3/16" (1859 mm)	40-1/2" (1029 mm)	42" (1069 mm)	70-1/2" (1791 mm)	40-1/2" (1029 mm)

NOTICE:

DO NOT BUILD THE SURROUNDING STRUCTURE BEFORE RECEIVING YOUR AIR BATH. STRUCTURE MEASUREMENTS SHOULD BE VERIFIED AGAINST THE ACTUAL AIR BATH RECEIVED TO ENSURE PROPER FIT.

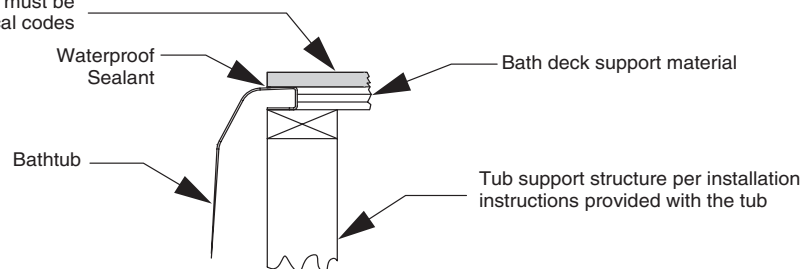


UNDER DECK MOUNTING INSTRUCTIONS

Please note that care must be taken to protect the surface of the tub during all aspects of the installation. Do not drill or cut the bath deck with the tub directly beneath it as damage to the tub may result.

1. Install the tub per the installation instructions provided with the unit.
2. Prepare the bath deck support structure per the local codes. Note - the bath deck must be self supporting.
3. Cut bath deck to your specifications.
4. Place the bath deck in position and trace the opening on the tub with a soft pencil. Do not drill or cut the bath deck with the tub directly beneath it as damage to the tub may result.
5. Remove the bath deck and apply a generous bead of waterproof sealant on the outer edge of the traced line.
6. Replace the bath deck and secure it into place.
7. Apply additional sealant along the tub and bath deck interface as necessary to ensure a watertight seal.
8. Remove excess sealant per the manufacturer's instructions.

Finished bath deck surface material must be self-supporting and secured per local codes



WHIRLPOOL ELECTRICAL INSTALLATION INSTRUCTIONS

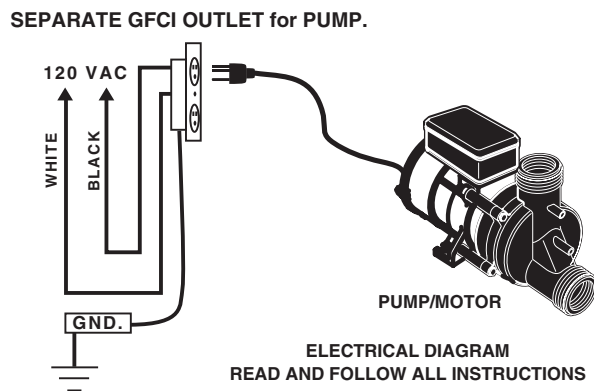
All wiring must be performed by a licensed electrician in accordance with the national electrical code and all other applicable codes.

⚠ WARNING: When using electrical products, basic precautions should always be observed, including the following:

1. **DANGER: RISK OF ELECTRIC SHOCK!** Connect only to a circuit protected by a ground-fault circuit interrupter.
2. Grounding is required. The unit should be installed by a licensed electrician and grounded.
3. Permit access for servicing motor as noted.
4. All building materials and wiring should be routed away from the pump body and heater (if equipped).

PLEASE SEE THE FOLLOWING TABLE FOR GFCI CIRCUIT REQUIREMENTS:

GFCI CIRCUIT REQUIREMENTS:	FOR MODEL NUMBERS:
<p>The whirlpool should be installed on a 120 vac, 15 amp dedicated GFCI circuit. The circuit should be hard-wired from the electrical power supply panel. The circuit must be a three (3) wire circuit from the electrical supply panel. A grounded neutral wire and a third wire, earth ground, are essential. Optional heater requires a separate 15 amp maximum GFCI circuit.</p>	<p>3571 3572 3774</p>
<p>The whirlpool should be installed on a 120 vac, 20 amp dedicated GFCI circuit. The circuit should be hard-wired from the electrical power supply panel. The circuit must be a three (3) wire circuit from the electrical supply panel. A grounded neutral wire and a third wire, earth ground, are essential. Optional heater requires a separate 15 amp maximum GFCI circuit.</p>	<p>3573 3575</p>



WIRE SELECTION GUIDE

**Motor
Hi Performance
Rating
2.1 H.P.,
1.4 H.P.,
and 1.25 H.P.**

Maximum distance from fusebox to motor			
50'	100'	150'	200'
115V Power Line			
12	10	8	8

The sizes shown on this chart are recommendations for copper conductors only. Always follow local and national electrical codes

DRAIN CONNECTION AND SYSTEM TEST

Using recommended drain opening, connect whirlpool drain to waste line. Tighten all drain joints securely. Check the pump couplings and make sure they are hand-tight. Clean the whirlpool and fill with water to a point 2" above the top of the highest jet. Recheck the pump couplings and make certain that they are not leaking. (Although the pump couplings are factory tightened and inspected, some loosening may have occurred during transit.) Make sure the whirlpool is connected to the electrical supply and turn the whirlpool on. Check for leaks around all piping connections while the whirlpool is running.

POST INSTALLATION CLEAN-UP

Remove all construction debris from bath. Tile grout can be removed with a wooden popsicle stick or tongue depressor. Do not use wire brushes or any other metal implement on bath surface.

Post installation clean-up generally can be completed using warm water and liquid dishwashing detergent. Stubborn dirt or stains may be removed using granular Spic and Span® mixed with water.

Painter's naphtha can be used to remove excess adhesives and/or wet oil-base paint.

FEATURES of YOUR NEW AMERICAN STANDARD ACRYLIC BATHTUB

Your new acrylic bathtub has been molded in the newest plumbing fixture material available today. Acrylics are tough durable finishes that are simple and easy to care for.

The colors have been formulated to match other American Standard fixtures and enhance your choice of bathroom decorations. The high gloss surface is resistant to impact and chemicals and will retain its lasting luster with proper care and maintenance.

AFTERCARE and CLEANING

- The high gloss surface is resistant to impact and chemicals and will retain its lasting luster with proper care and maintenance.
- Always fill the tub with temperate water. Excessively hot water may cause surface damage
- Clean after use with a mild liquid household detergent cleaner. Do not use Lestoil, Lysol Disinfectant (spray or concentrate), or Lysol Basin, Tub and Tile Cleaner, Windex, Mr. Clean, Dow Disinfectant Bathroom Cleaner, or cleaning products in aerosol cans.

HARSH CHEMICALS SHOULD NEVER BE USED ON ACRYLIC SURFACES.

- Do not use wire brushes, knives or sharp objects to remove stains, cigarette tar deposits, or other surface blemishes.
- Abrasive cleaners or powders must not be used, since they will dull the surface. If the glossy surface loses its sheen, dulled areas can be restored by rubbing with a white "automotive type" polishing compound and waxing with a "liquid wax."
- **Do not wax areas where you walk or stand.**
- Do not allow nail polish remover, acetone, dry cleaning fluid, paint remover or other solvents to come into contact with the surface.
- Clean the surrounding surface immediately after using caustic drain cleaners.
- Burning cigarettes will damage the surface.
- Should damage to the fixture occur, repairs can be made quickly and easily. Your distributor or builder can provide details.
- Do not permit drain cleaner to enter the circulation system.

CIRCULATION SYSTEM CLEANING-PURGING PROCEDURES

STEP 1. Once every month purge and clean the circulating system. Fill whirlpool with warm water and add two teaspoons of dishwasher detergent and one-half cup of house hold bleach.

STEP 2. Activate whirlpool system in accordance with operating instructions or two minutes.

STEP 3. Drain and refill whirlpool with cool water and circulate for additional five minutes.

STEP 4. Drain whirlpool completely.

American Standard Limited Lifetime Warranty

Applies to all acrylic whirlpools and air massage systems except Colony whirlpools models 1730, 2675, 1748, 2740

American Standard warrants to the original consumer purchaser that it will, at its option, repair or replace this whirlpool/air bath or any of its parts that are found by American Standard, in its sole judgment, to be defective under normal residential use and maintenance so long as it is owned by the original consumer purchaser.

To activate this limited warranty, the purchaser must go online to our website at: www.americanstandard-us.com/whirlpoolwarranty to register their whirlpool, or the accompanying warranty registration card must be completed and returned to the address on the warranty registration card within thirty (30) days of purchase.

THIS WARRANTY SHALL BE VOID IF THE ACCESS PANEL TO THE WHIRLPOOL/AIR BATH IS COVERED IN ANY MANNER CONTRARY TO THE INSTALLATION INSTRUCTIONS. In no event will American Standard be liable for the cost of repair or replacement of any installation materials including but not limited to tile, marble, etc.

This limited warranty DOES NOT COVER the following:

1. Defect or damages arising from shipping, installation, alterations, accidents, abuse, misuse, lack of proper maintenance and cleaning as directed in the Operating and User Maintenance Instruction Manual and use of other than genuine American Standard replacement parts, in all cases whether caused by a plumbing contractor, service company, the owner or any other person.
2. Deterioration through normal wear and tear and the expense of normal maintenance.
3. Commercial application.
4. Options and accessories. American Standard's limited warranty on these items is one year for parts only and excludes labor. This one year limited warranty covers accessories manufactured by American Standard (e.g. aprons, drains, grab bars, heaters, trim kits) against defects of material or workmanship. Warranty coverage begins on the date the accessory was originally purchased by the owner.
5. Shipping cost for returning products for repairs or replacement under the limited warranty and labor or other cost incurred in connection with product removal or installation under this limited warranty.
6. ANY LIABILITY FOR CONSEQUENTIAL OR INCIDENTAL DAMAGES, ALL OF WHICH ARE HEREBY EXPRESSLY DISCLAIMED, OR THE EXTENSION BEYOND THE DURATION OF THIS LIMITED WARRANTY OF ANY IMPLIED WARRANTIES, INCLUDING THOSE OF MERCHANTABILITY OR FITNESS FOR AN INTENDED PURPOSE. (Some jurisdictions do not allow limitations on how long an implied warranty lasts, or the exclusion or limitation of incidental or consequential damages, so these limitations and exclusions may not apply to you.)
7. Responsibility for compliance with local code requirements. (Since local code requirements vary greatly, distributors, retailers, dealers, installation contractors and users of plumbing products should determine whether there are any code restrictions on the installation or use of a specific product.)

This limited warranty gives you specific legal rights. You may have other statutory rights that vary from state to state or from province to province, in which case this warranty does not affect such statutory rights.

For service under this warranty, it is suggested that a claim be made through the contractor or dealer from or through whom the product was purchased, or that a service request (including a description of the product model and of the defect) be sent to the following address:

In the United States:

American Standard
P.O. Box 659
West Caldwell, NJ 07007
Attention: Whirlpool Customer Care Center

In Canada:

American Standard
2480 Stanfield Road
Mississauga, Ontario
Canada L4Y 1S2

In Mexico:

Customer Service Manager
Ideal Standard S.A. de C.V.
Via Morelos #330
Col. Santa Clara
Ecatepec 55540 Edo. Mexico

For residents of the United States, warranty information may be obtained by calling the following toll free number: (800) 442-1902