

ELLISSE OVAL™ AIR MASSAGE SYSTEM

2709.328 Air Massage System

- Acrylic with fiberglass reinforcement
- Pre-leveled tub bottom
- 1.0 HP variable speed, heated blower
- Factory installed power cord with plug
- Sixteen "illusion" air injectors
- Deck-mounted electronic control with Chrome bezel:
 - Operates variable speed blower
 - Automatic purge cycle after each use
 - Wave function
- Drain waste and overflow in Chrome
- Factory installed and tested air system
- EverClean™ System

2709.328.K2 Air Massage System with Chromatherapy

Same as 2709.328 but also includes:

- Two digitally controlled lights
- Electronic control with color selector and color cycle function

Nominal Dimensions:

69-1/4" x 38-1/2" x 19-3/4"
(1759 x 978 x 502mm)

Compliance Certifications -

Meets or Exceeds the Following Specifications:

- Underwriters Laboratories - Hydromassage Bathtubs UL 1795
- ASME A112.19.7M for Whirlpool Appliances
- ANSI Z124.1 for Plastic Bathtubs
- ASTM E162 for Flammability
- NFPA 258 for Smoke Density

The EverClean™ antimicrobial system incorporates AlphaSan®, a patented antimicrobial agent manufactured right into the air supply hoses, which suppresses the growth of unsightly algae, fungus, mold and mildew.



To Be Specified - Required:

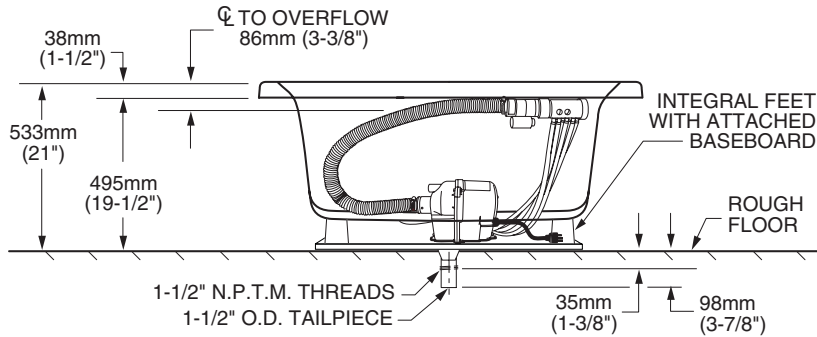
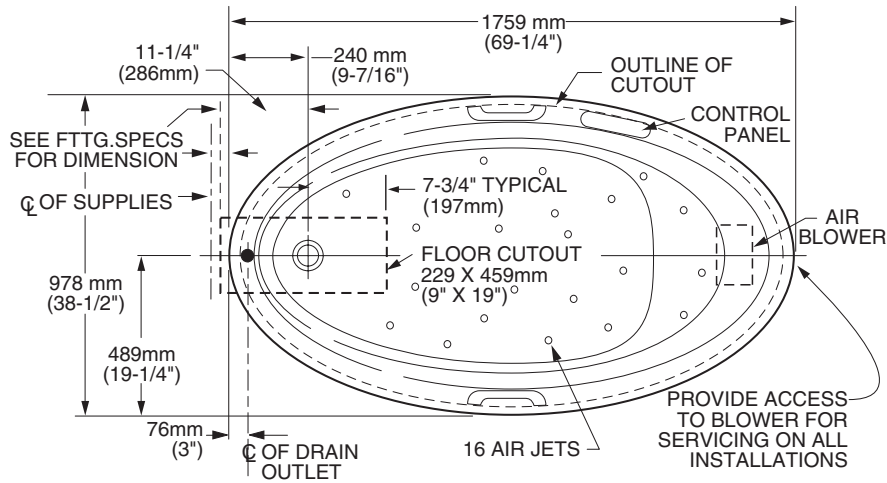
- Color:
- Drain included (chrome)
- Other Bath Faucet (specify finish):
- Grab Bar Kit: 9827-200 two per kit (specify finish):

To Be Specified - Optional:

- Apron: 9460.018 (specify color)
- Tile Bead Kit: 751755-200
- Drain Trim Kit: 1585.200 (specify finish)

For color/finish availability and other faucet choices, please see the Product Selector and Pricing Guide.

SEE REVERSE FOR ROUGHING-IN DIMENSIONS
AND PRODUCT SPECIFICATIONS



GENERAL SPECIFICATIONS FOR 2709 AIR BATH	
INSTALLED SIZE	69-1/4 x 38-1/2 x 19-3/4 In. (1759 x 978 x 502mm)
WEIGHT	107 Lbs. (49 Kg.)
WEIGHT w/WATER	640 Lbs. (291 Kg.)
GAL. TO OVERFLOW	64 Gal. (243 L)
BATHING WELL AT SUMP	45 x 23 In. (1143 x 584mm)
BATHING WELL AT RIM	63 x 32 In. (1600 x 813mm)
WATER DEPTH TO OVERFLOW	13 In. (330mm)
FLOOR LOADING (PROJECTED AREA)	35 Lbs./Sq.Ft. (166 Kgs./Sq.m)
PTS.	25.6
CUBE (FT ³)	49.4
ELECTRICAL SPECIFICATIONS	
BLOWER	1.0 HP, 10 AMPS, 120V.

NOTES:

BATH CAN BE INSTALLED EITHER ABOVE OR BELOW FLOOR LINE AS PIER, ISLAND OR PENINSULA TYPE INSTALLATION. SUPPORT OF BATH BY INTEGRAL FEET. NO ADDITIONAL SUPPORT IS REQUIRED. SUPPORT AND ENCLOSING MATERIAL BY OTHERS.

REFER TO INSTALLATION INSTRUCTIONS SUPPLIED WITH WHIRLPOOL FOR ADDITIONAL INFORMATION.

▲ CUTOUT TEMPLATE PROVIDED IN SHIPPING BOX. MAY BE REQUESTED SEPARATELY.

FITTINGS NOT INCLUDED AND MUST BE ORDERED SEPARATELY.

PROVIDE SUITABLE REINFORCEMENT FOR ALL SUPPORTS.

IMPORTANT: Dimensions of fixtures are nominal and may vary within the range of tolerances established by ANSI Standard Z124.1 / CSA Certified. These measurements are subject to change or cancellation. No responsibility is assumed for use of superseded or voided leaflet.